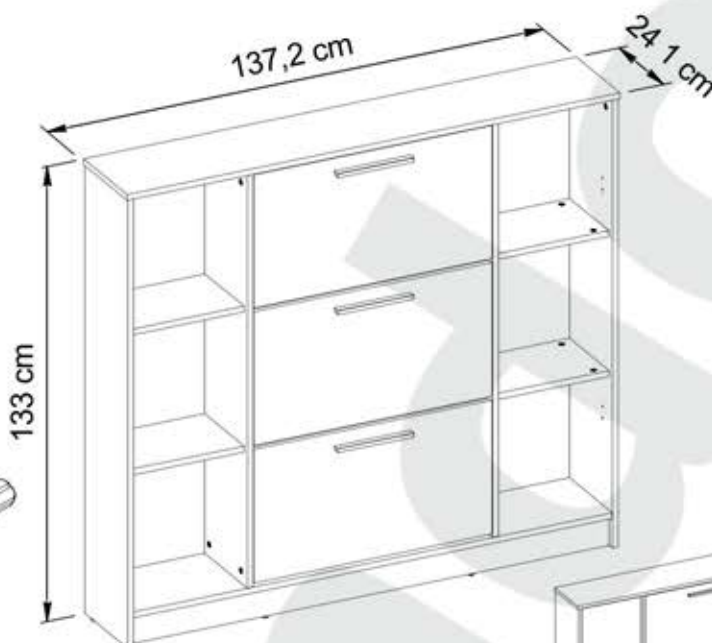
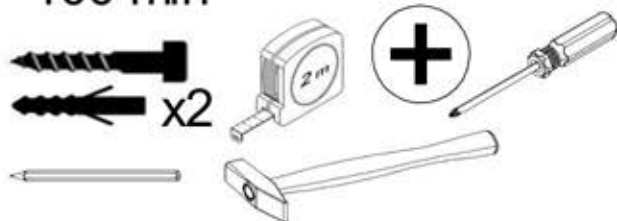


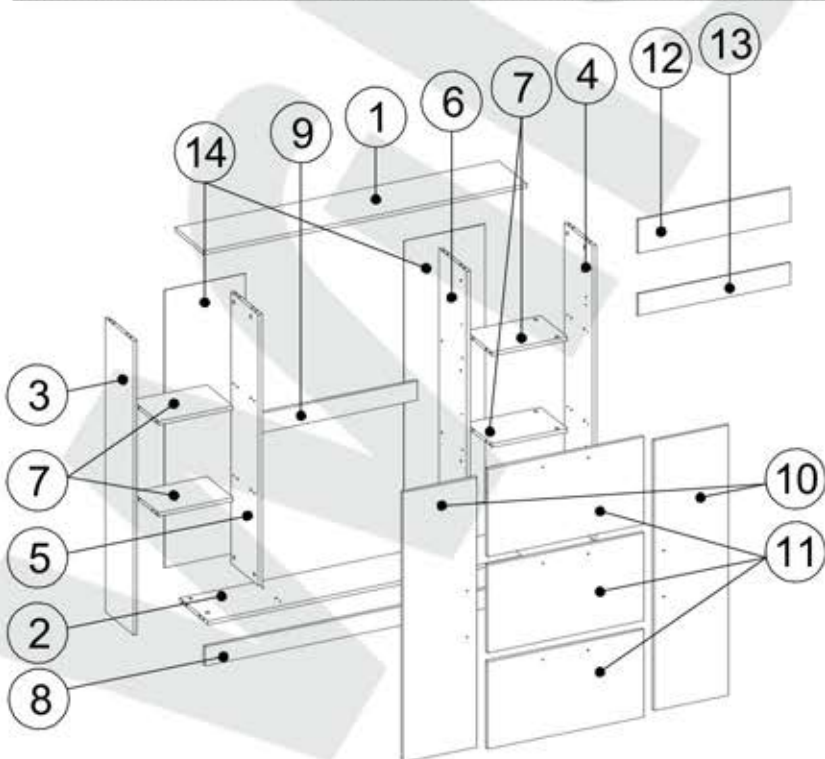
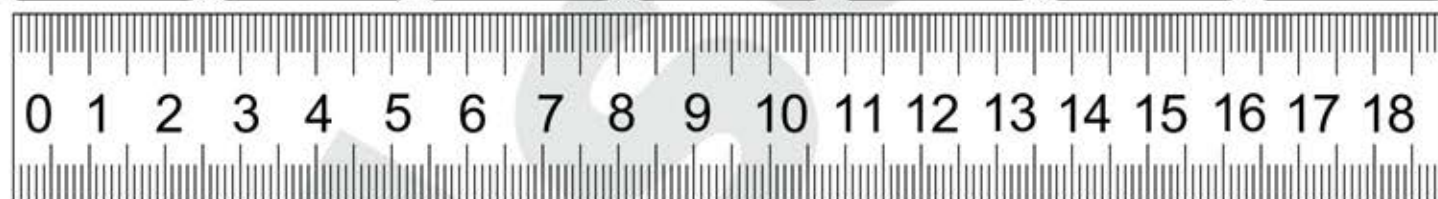
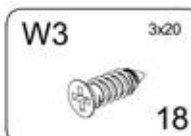
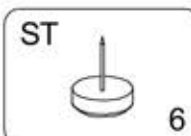
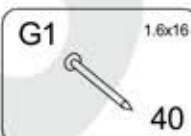
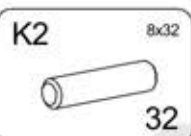
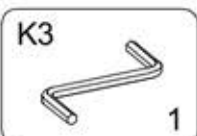
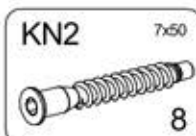
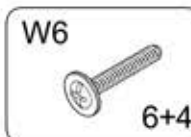
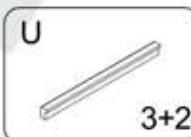
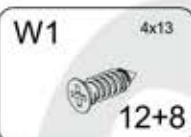
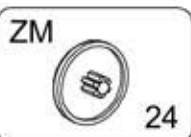
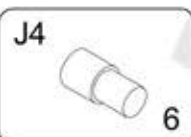
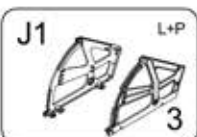
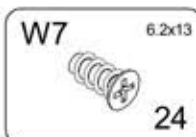
# SZNB02



~100 min



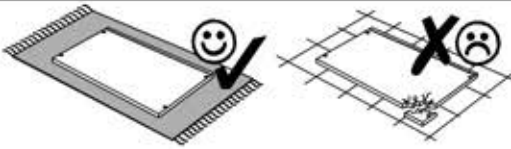
option



## SZNB02

1	1372x241x16mm	1
2	1333x237x16mm	1
3	1226x238x16mm	1
4	1226x238x16mm	1
5	1130x236x16mm	1
6	1130x236x16mm	1
7	317x219x16mm	4
8	1333x80x16mm	1
9	667x80x16mm	1
10	1123x311x16mm	2
11	658x365x16mm	3
12	647x140x10mm	6
13	647x90x10mm	3
14	1155x344x3mm	2

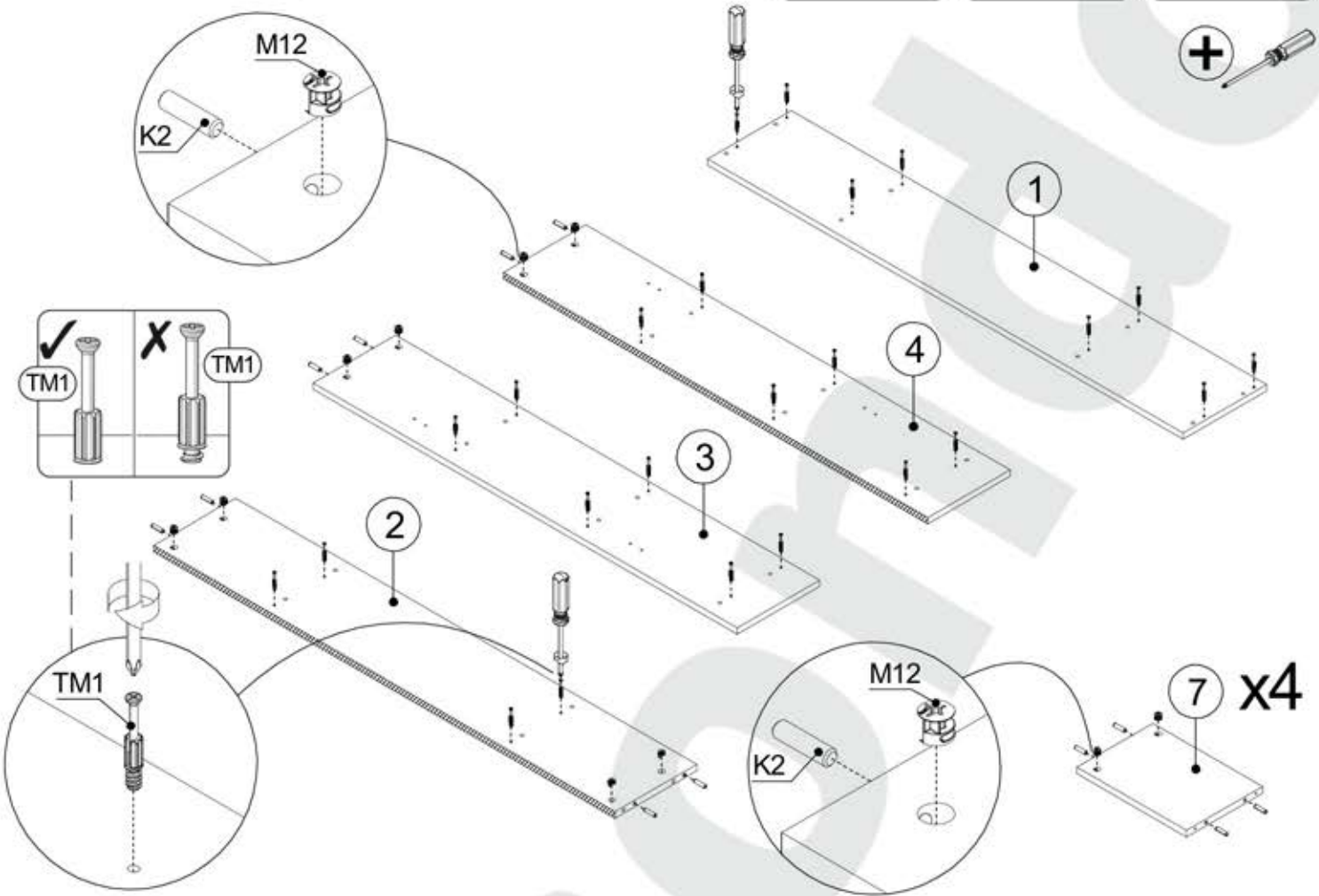
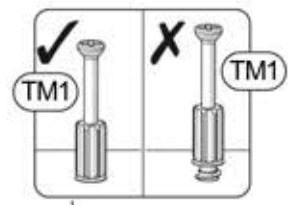
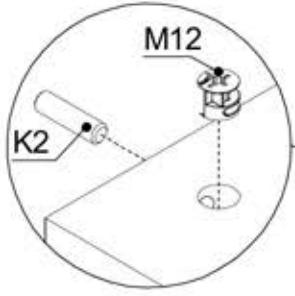
# ▶ 1



M12 10

TM1 24

K2 8x32 12



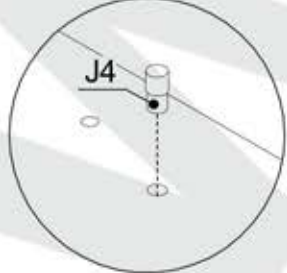
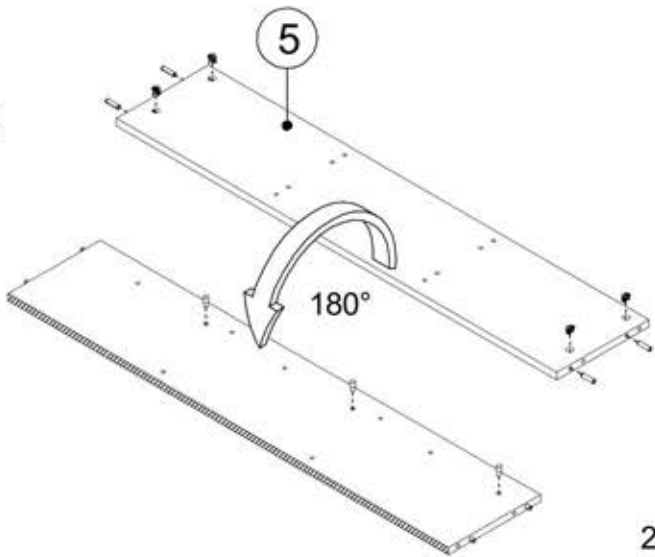
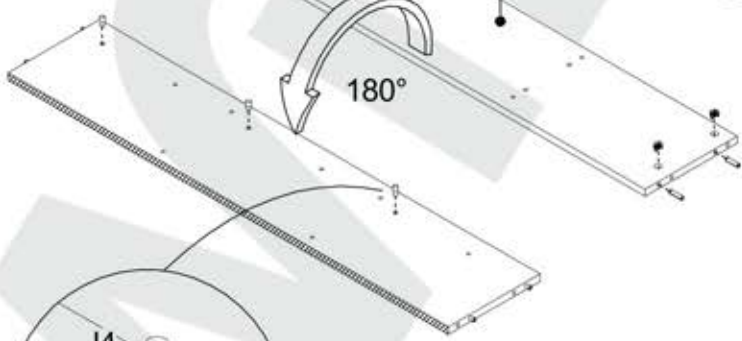
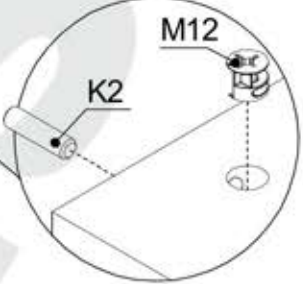
# ▶ 2



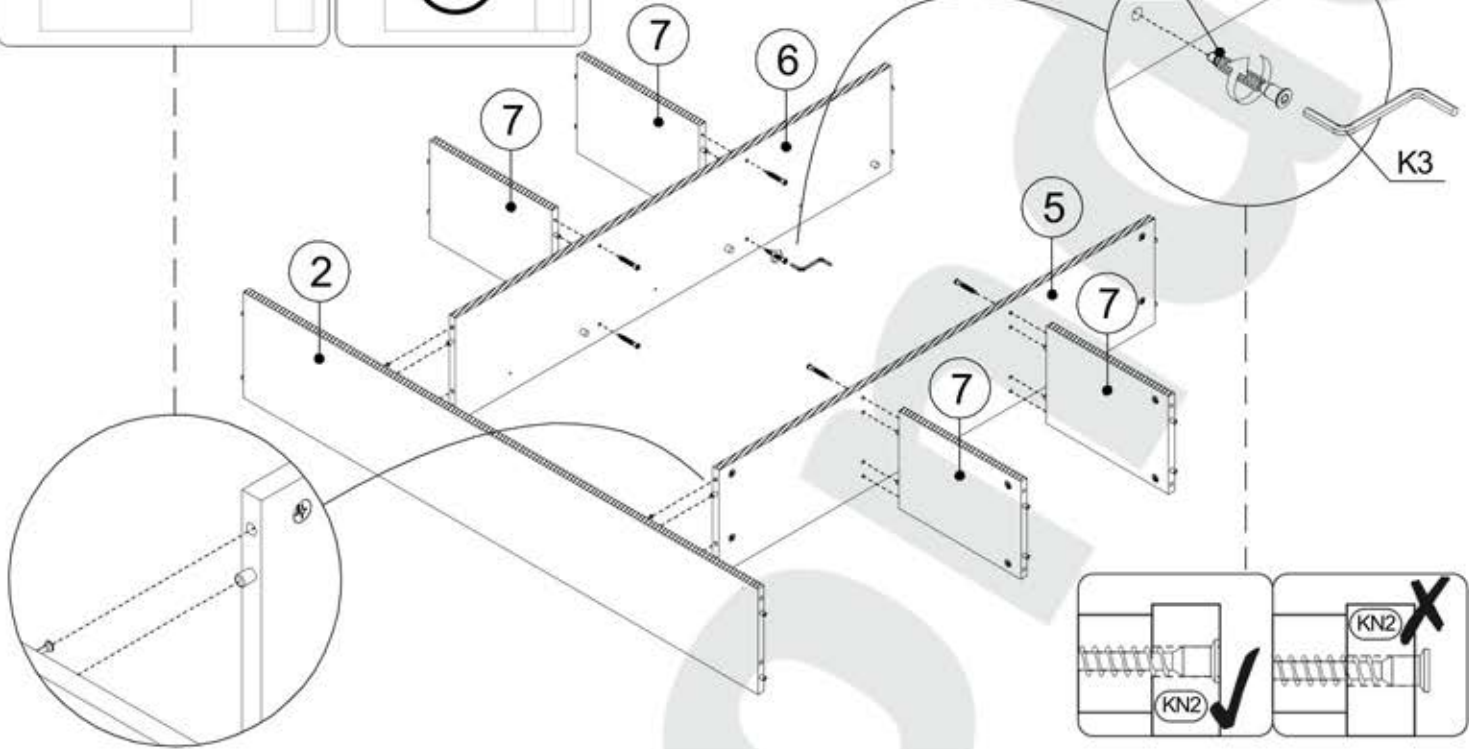
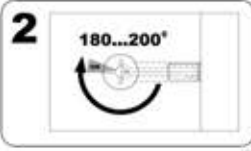
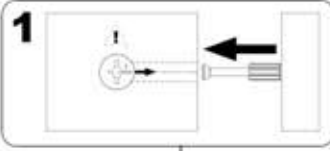
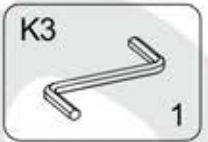
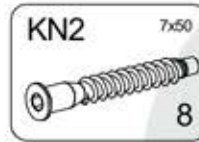
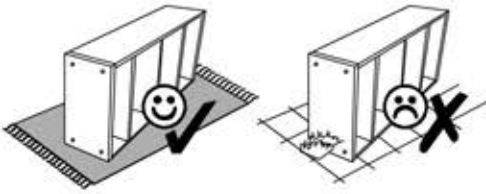
M12 8

K2 8x32 8

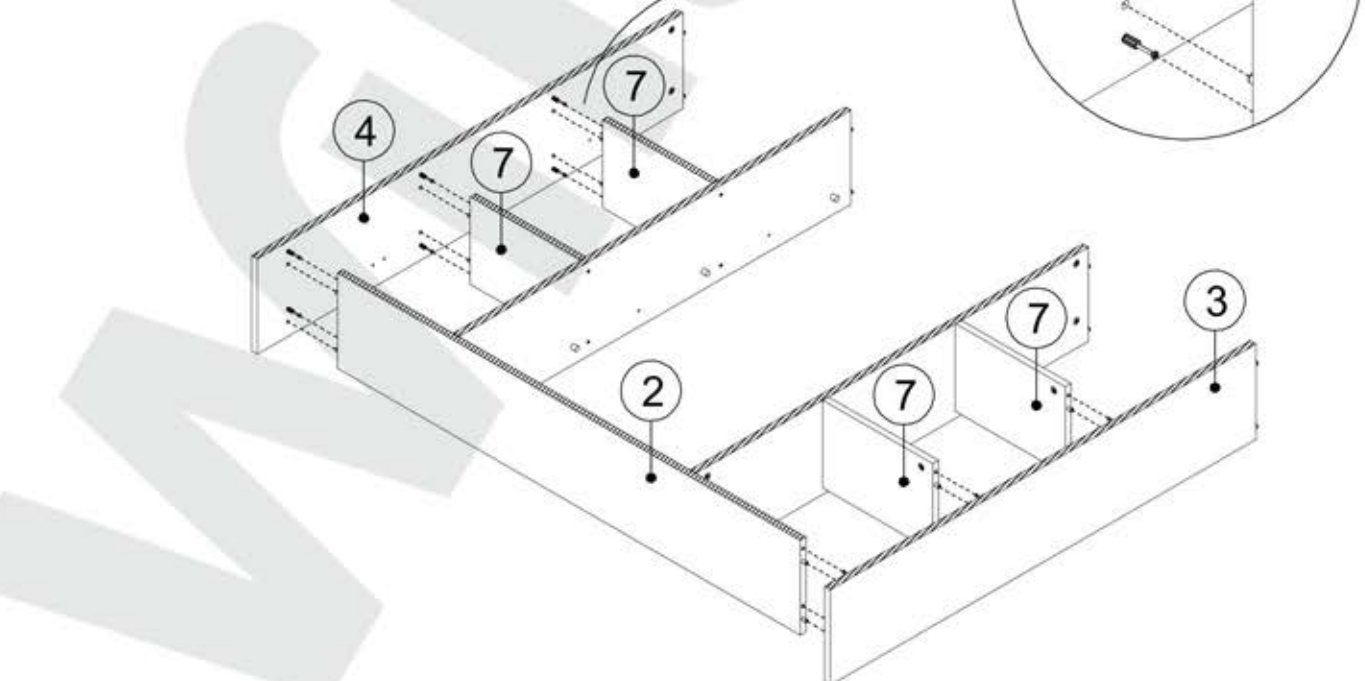
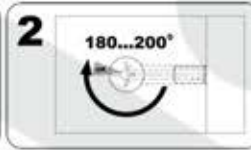
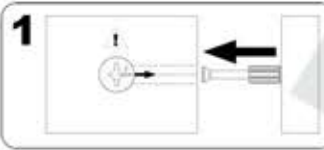
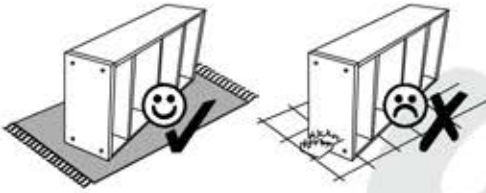
J4 6



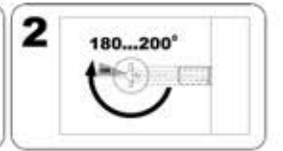
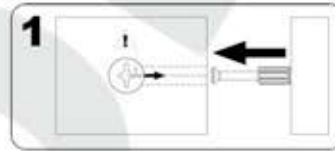
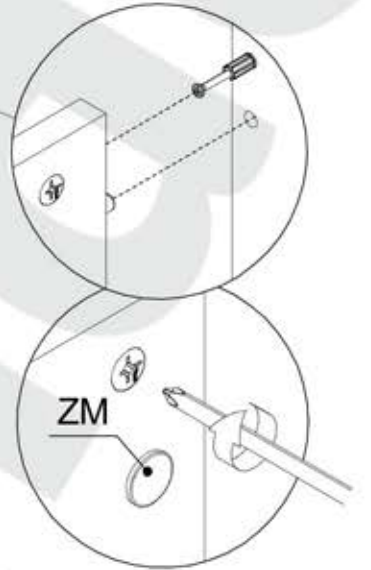
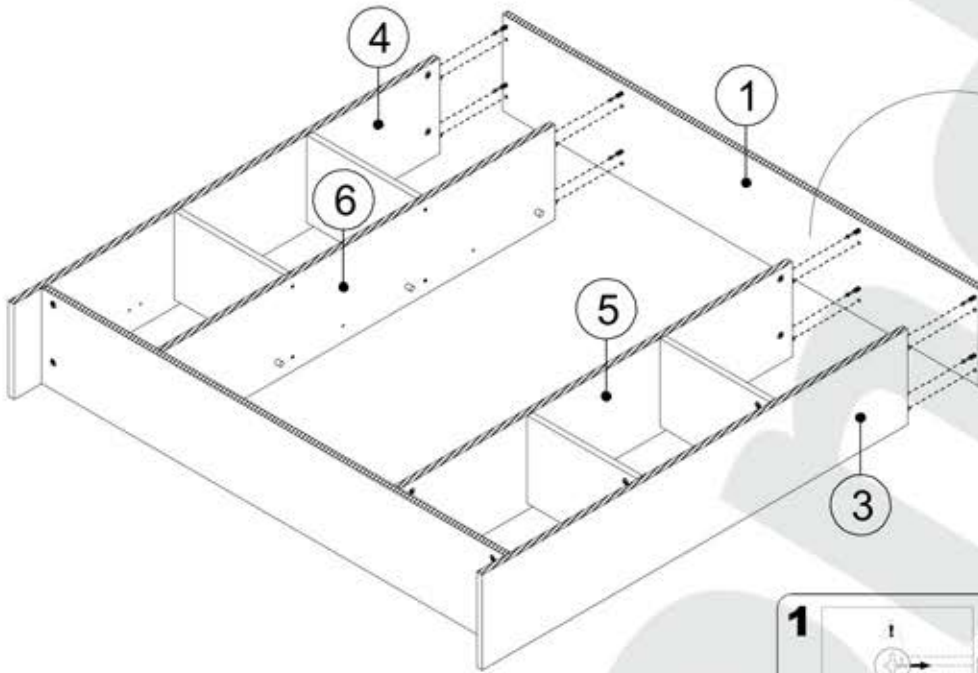
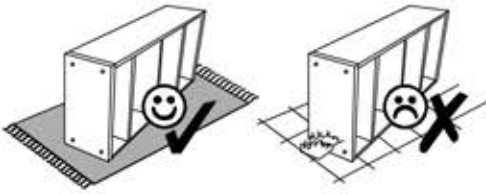
▶ 3



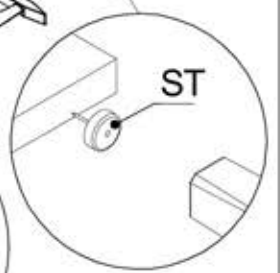
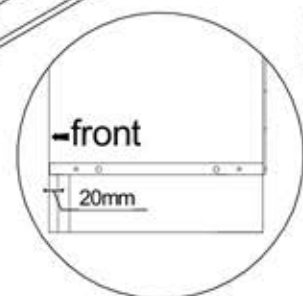
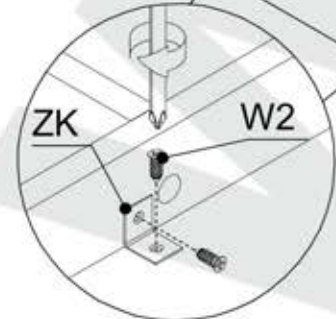
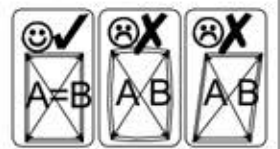
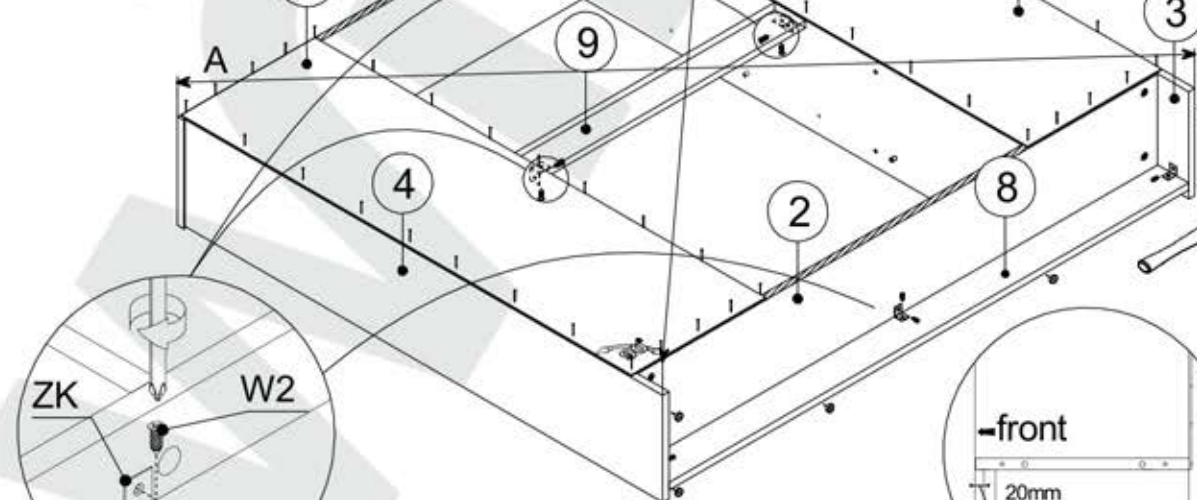
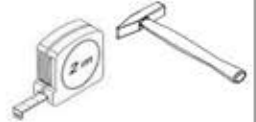
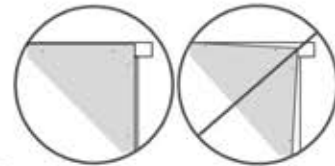
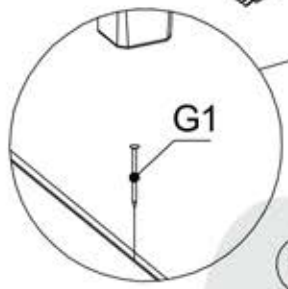
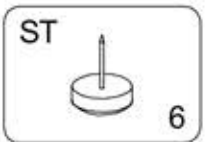
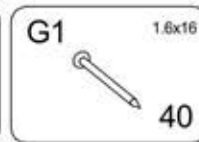
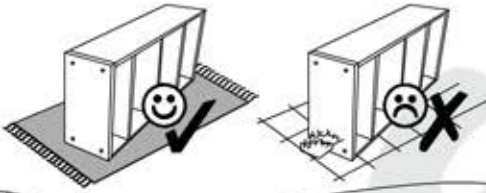
▶ 4



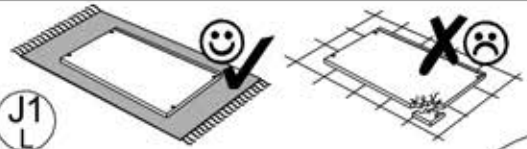
► 5



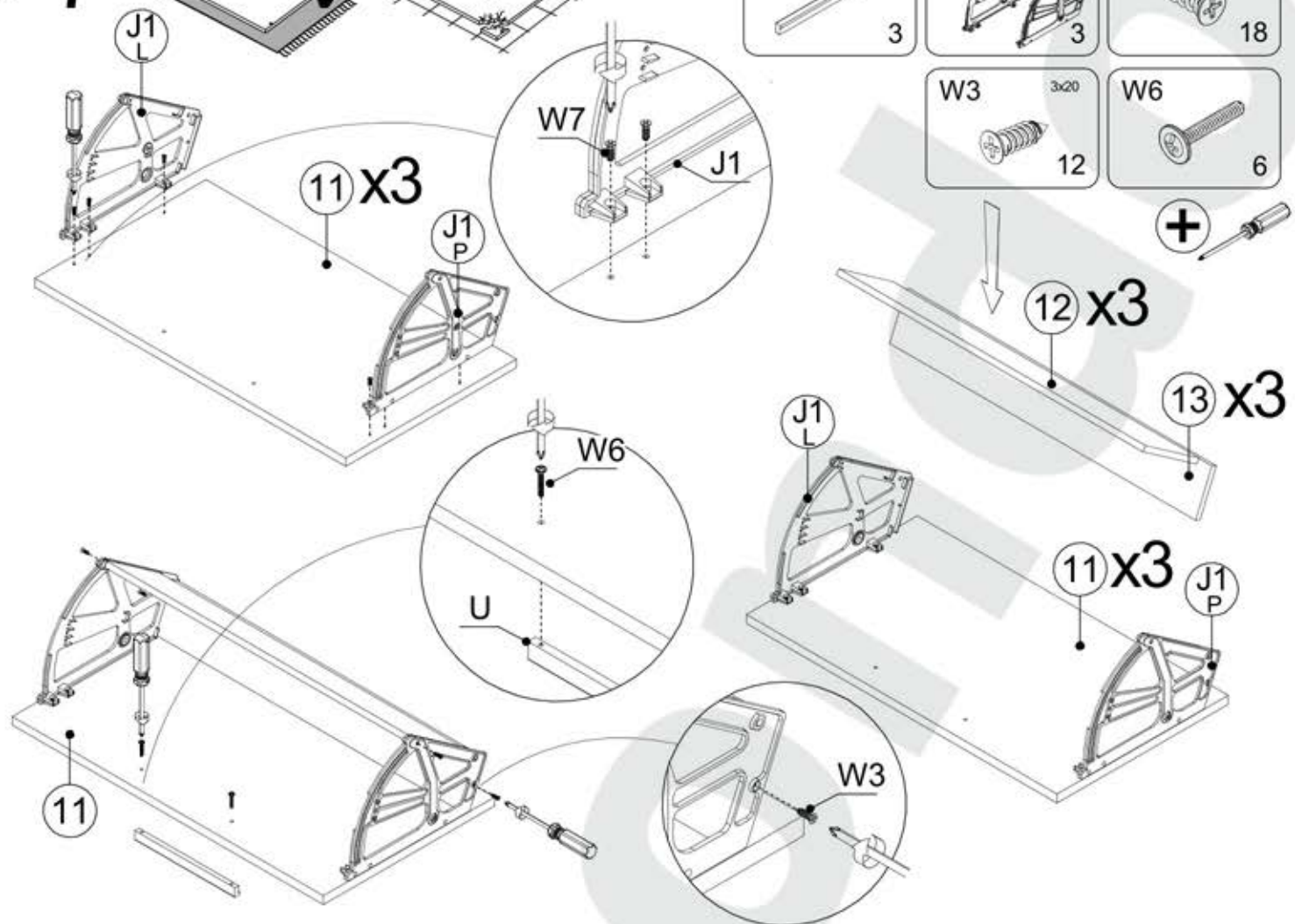
► 6



# 7

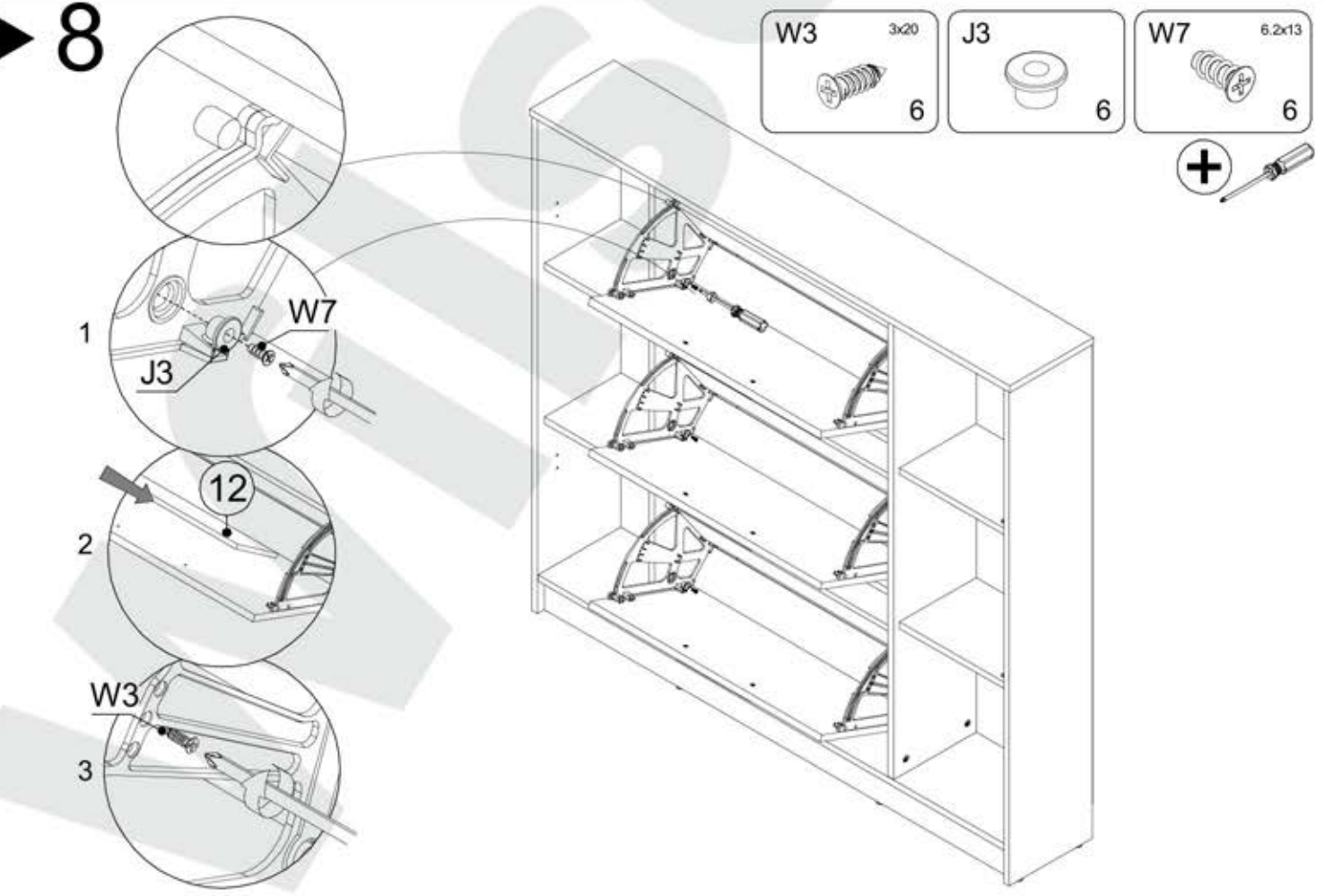


- U 3
- J1 L+P 3
- W7 6.2x13 18
- W3 3x20 12
- W6 6

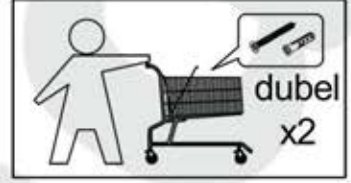
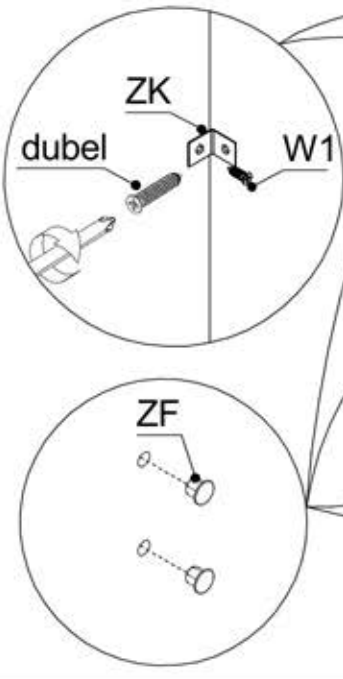
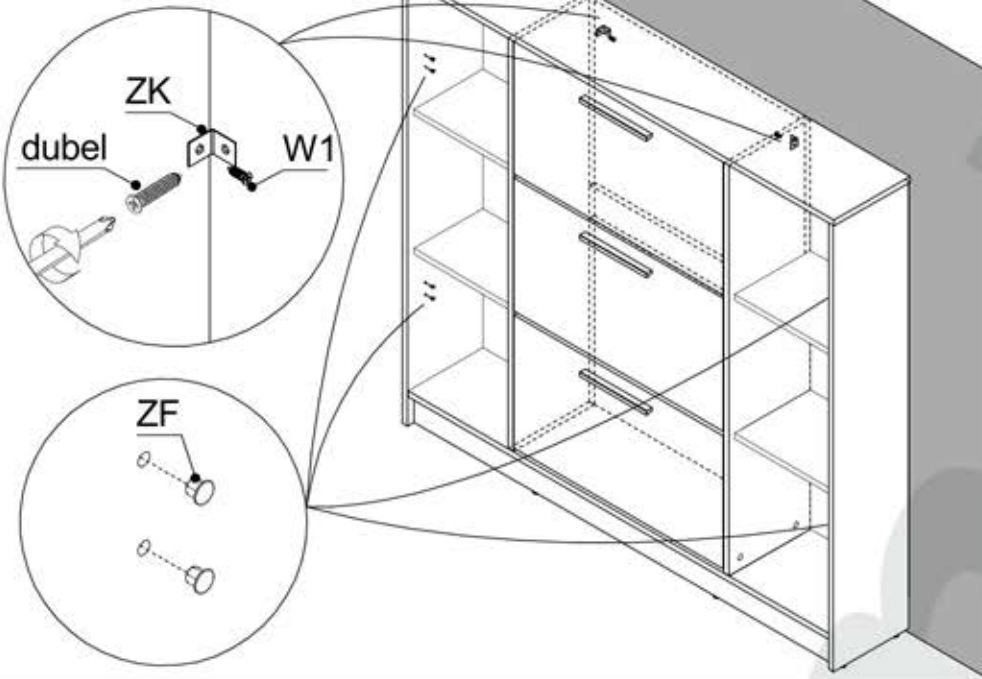


# 8

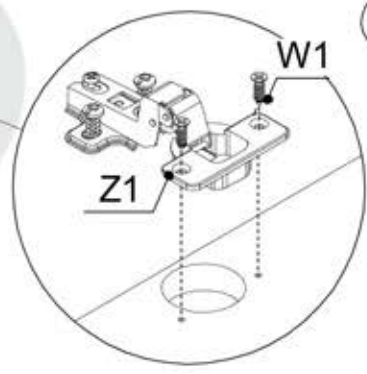
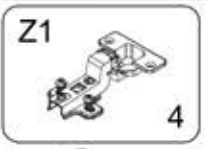
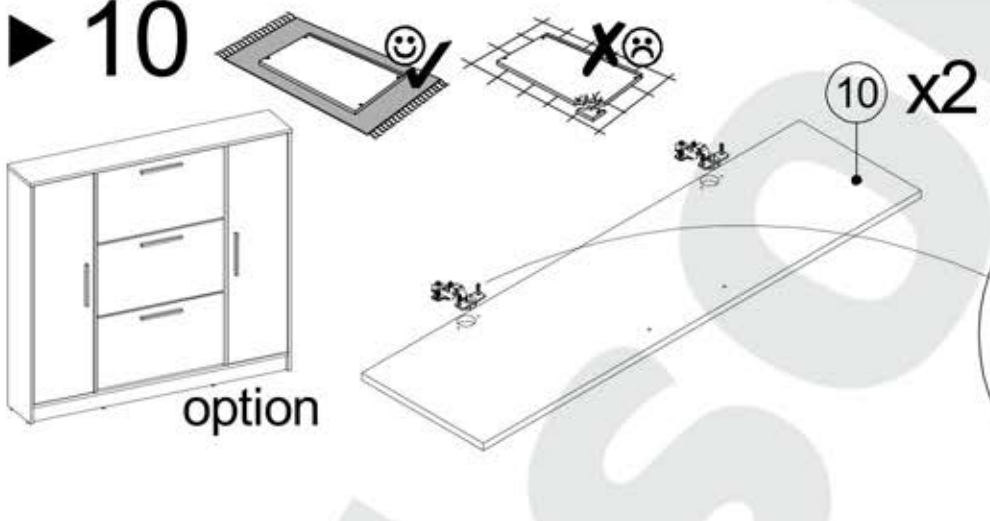
- W3 3x20 6
- J3 6
- W7 6.2x13 6



# ▶ 9



# ▶ 10



# ▶ 11

