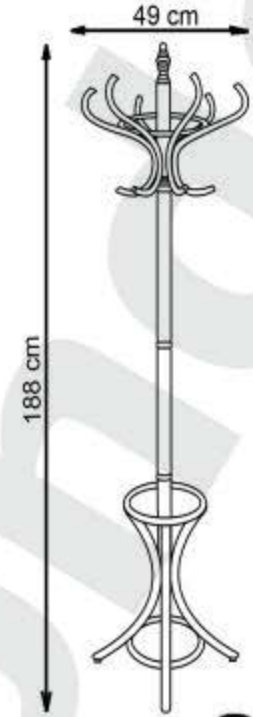
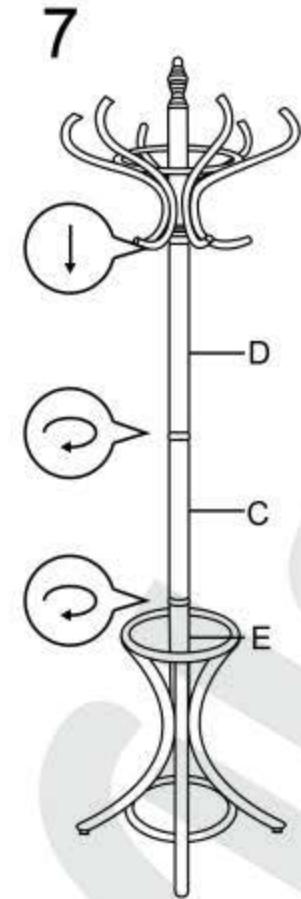
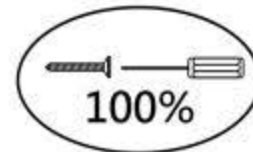
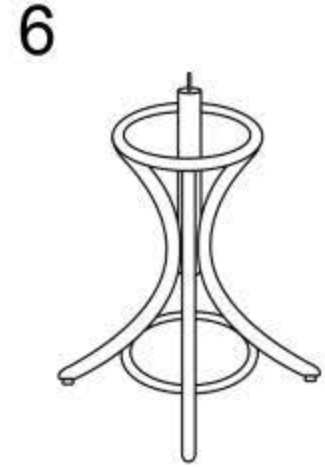
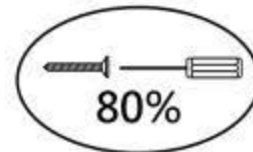
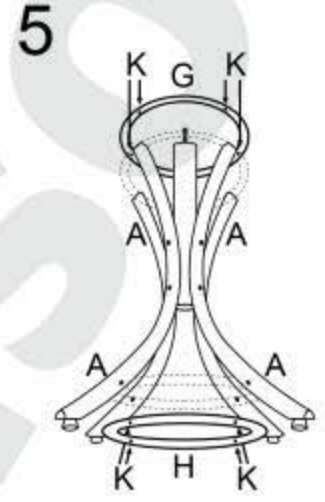
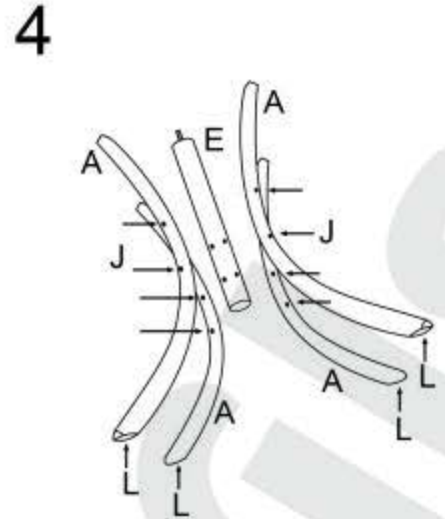
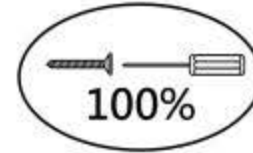
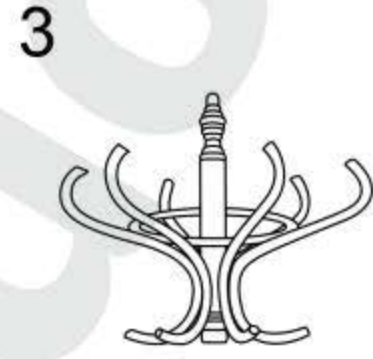
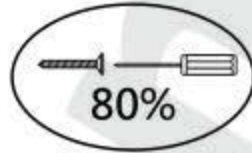
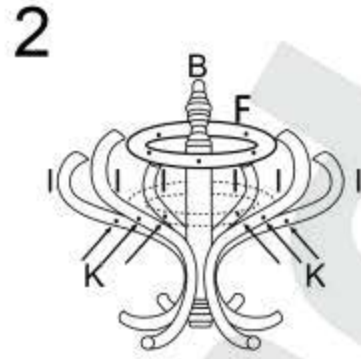
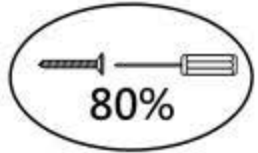
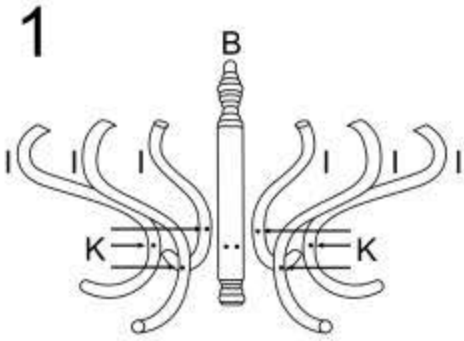


W30



max. 15 kg

A		4	G		1
B		1	H		1
C		1	I		6
D		1	J		8
E		1	K		20
F		1	L		4