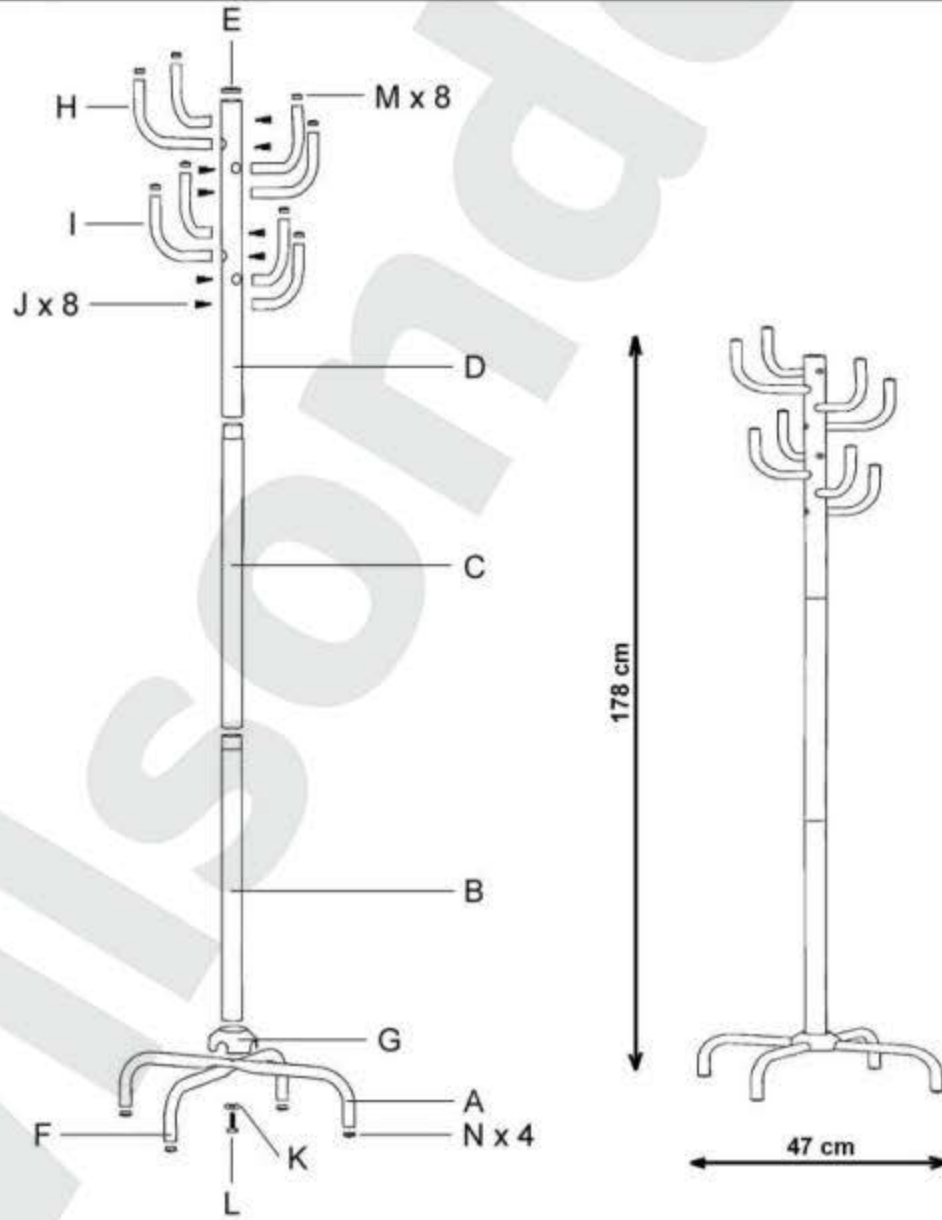


W-11

1



A		1	H		4
B		1	I		4
C		1	J		8
D		1	K		1
E		1	L		1
F		1	M		8
G		1	N		4