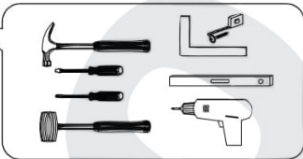
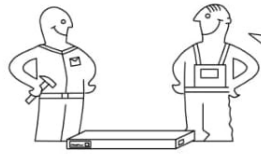
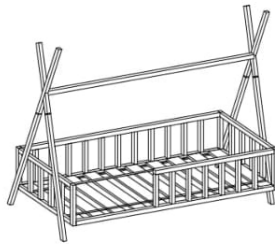


TIPI

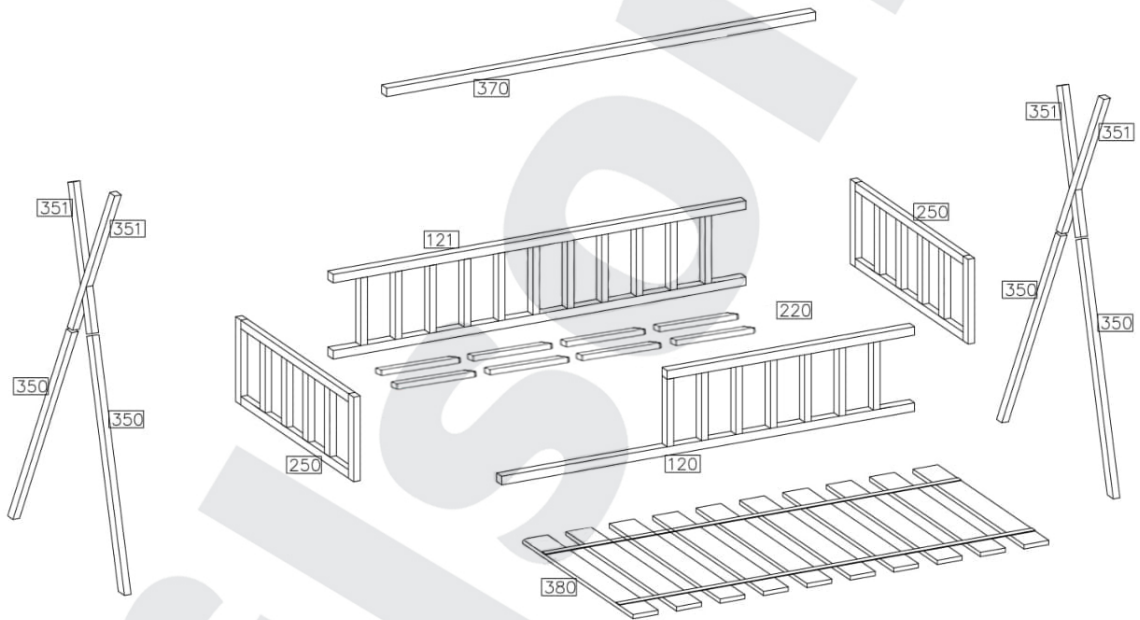
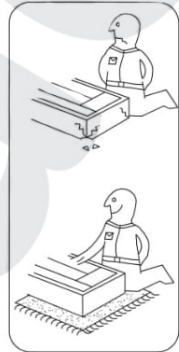


No	Art. No	X
1	120	1
2	121	1
3	220	8
4	250	2
5	350	4
6	351	4
7	370	1
8	380	1

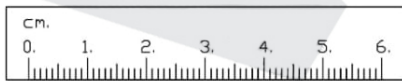
VERSION - L



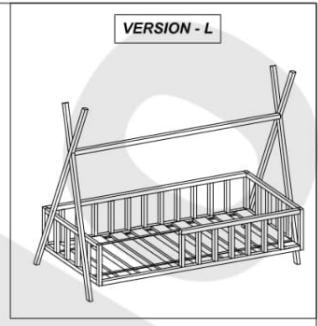
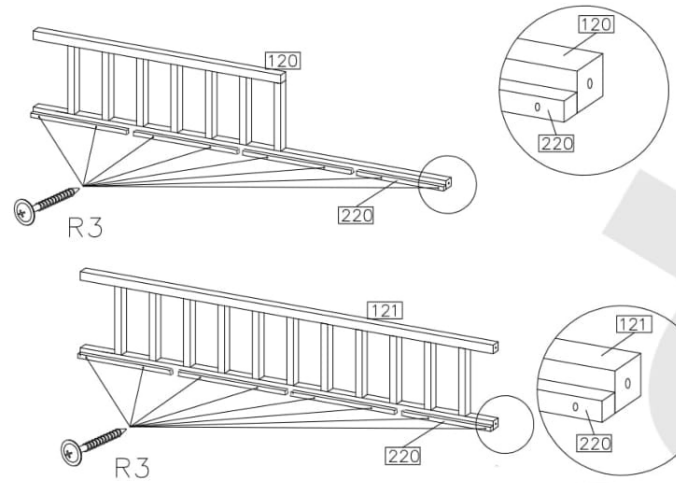
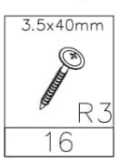
VERSION - R



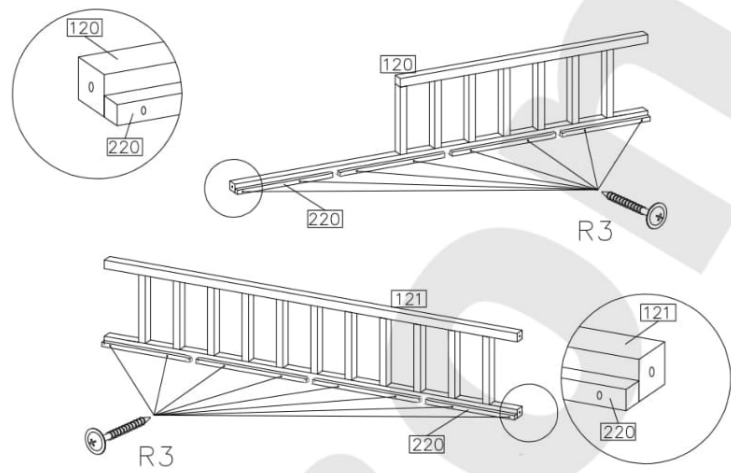
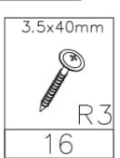
$\varnothing 10 \times 40 \text{mm}$	4mm	3.5x40mm	5.0x80mm	M6.0x80mm		
A2	O	R3	R4	K	K4	O11
4	2	22	9	8	8	1



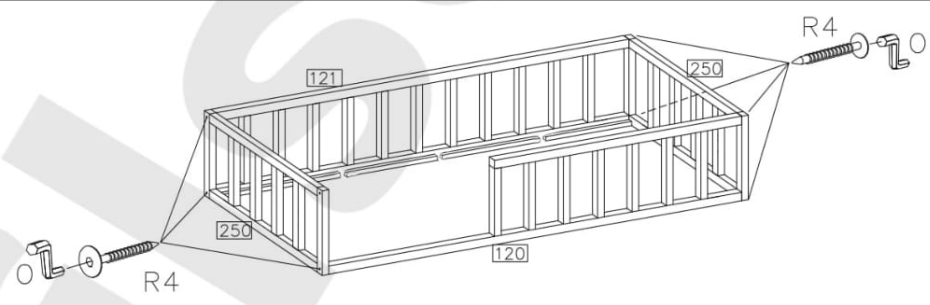
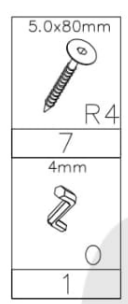
1 A



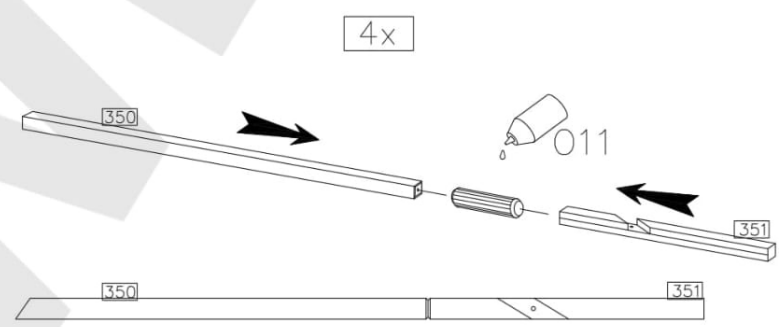
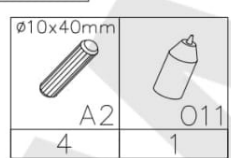
1 B





2




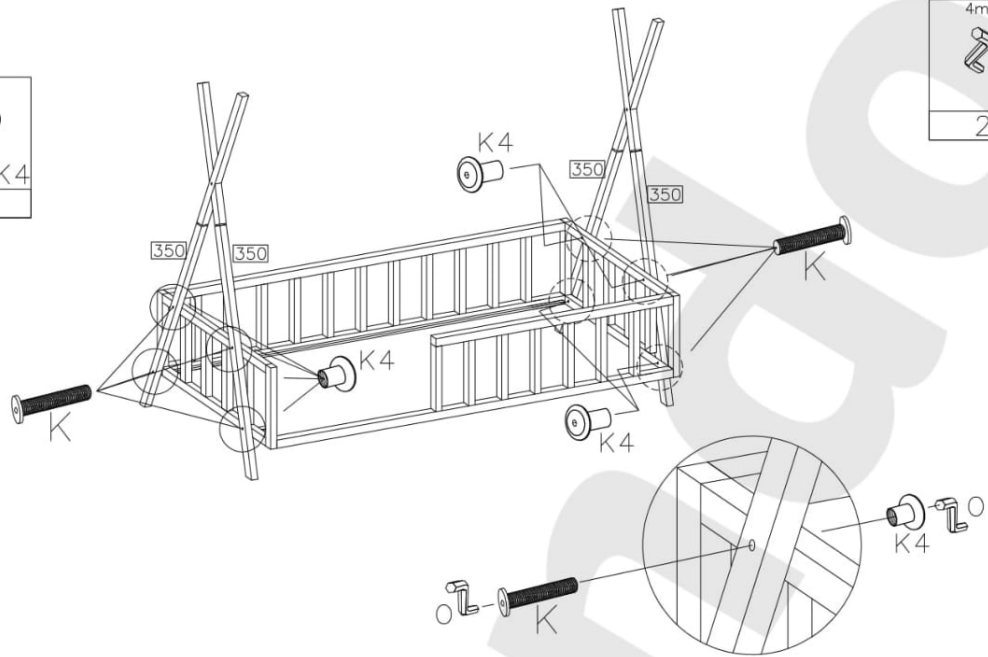
3




4


M6.0x80mm	
	
K	K4
8	8

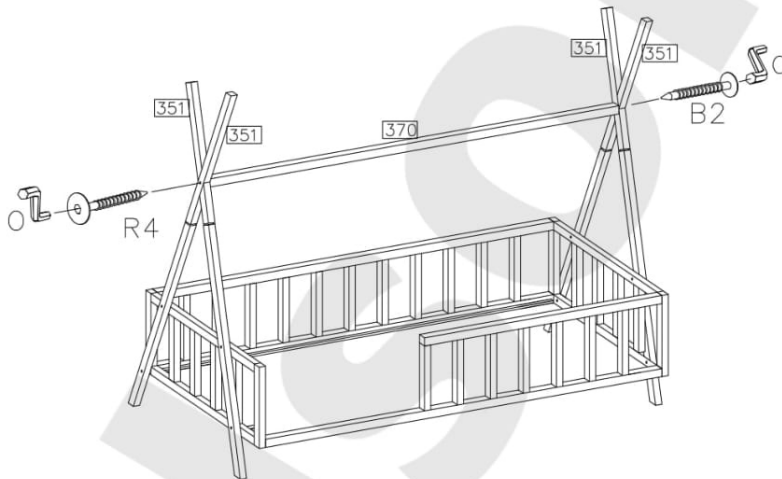
4mm	
	0
2	



5

5.0x80mm	
	R4
2	

4mm	
	0
1	



6

3.5x40mm	
	R3
6	

