


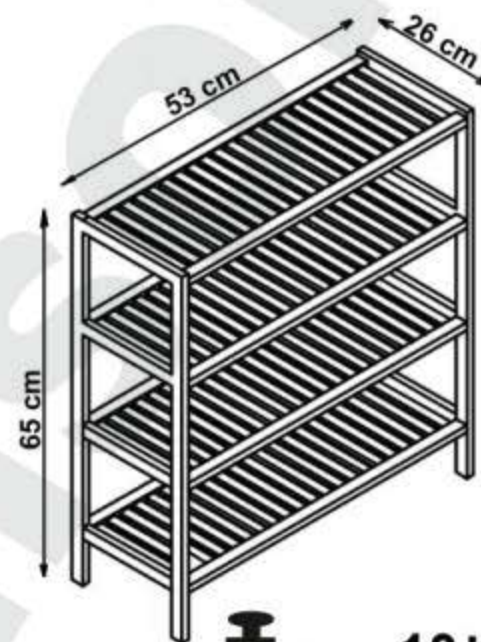
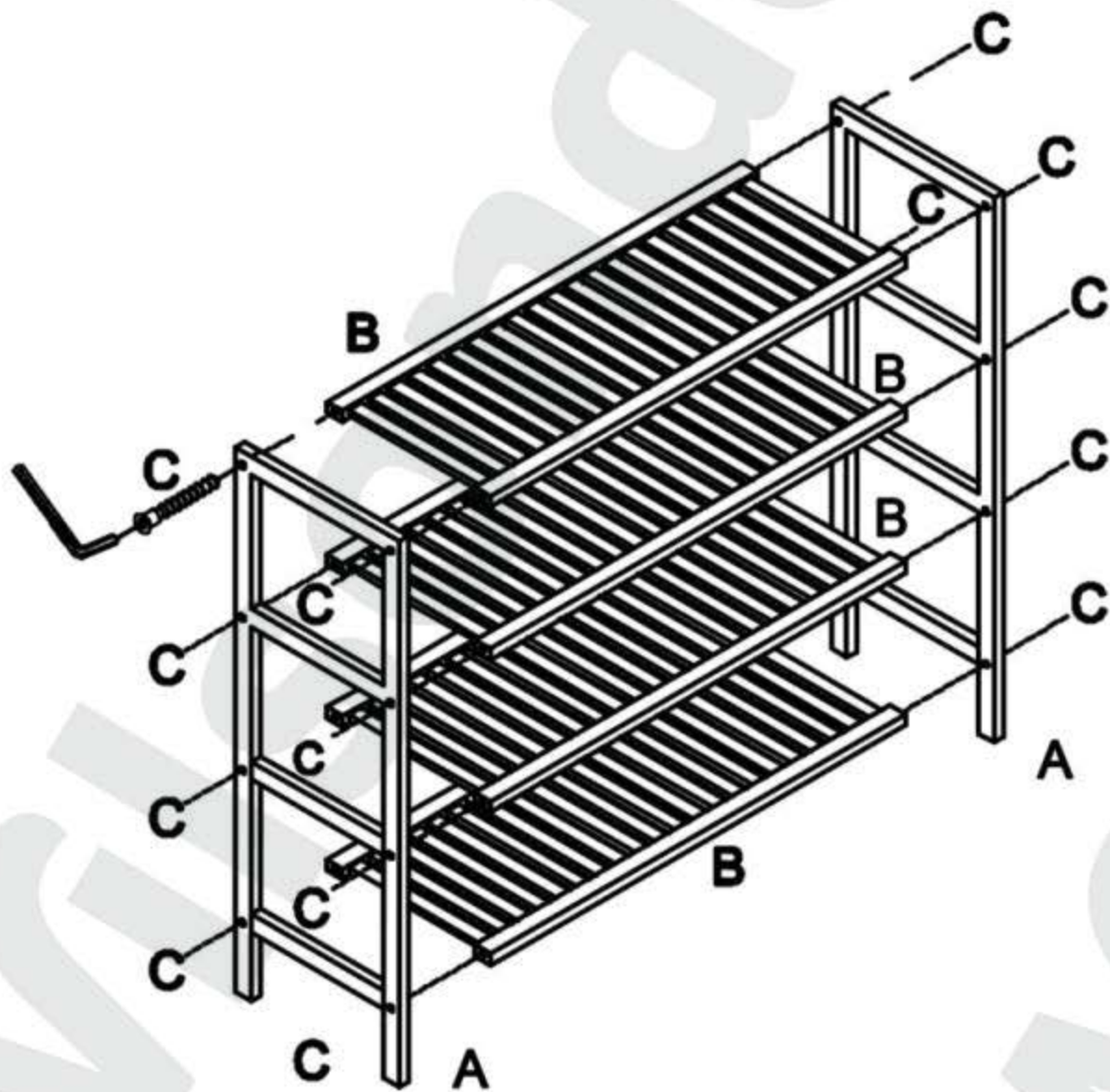



ST-8

A		2
B		4
C		16



 max. 10 kg