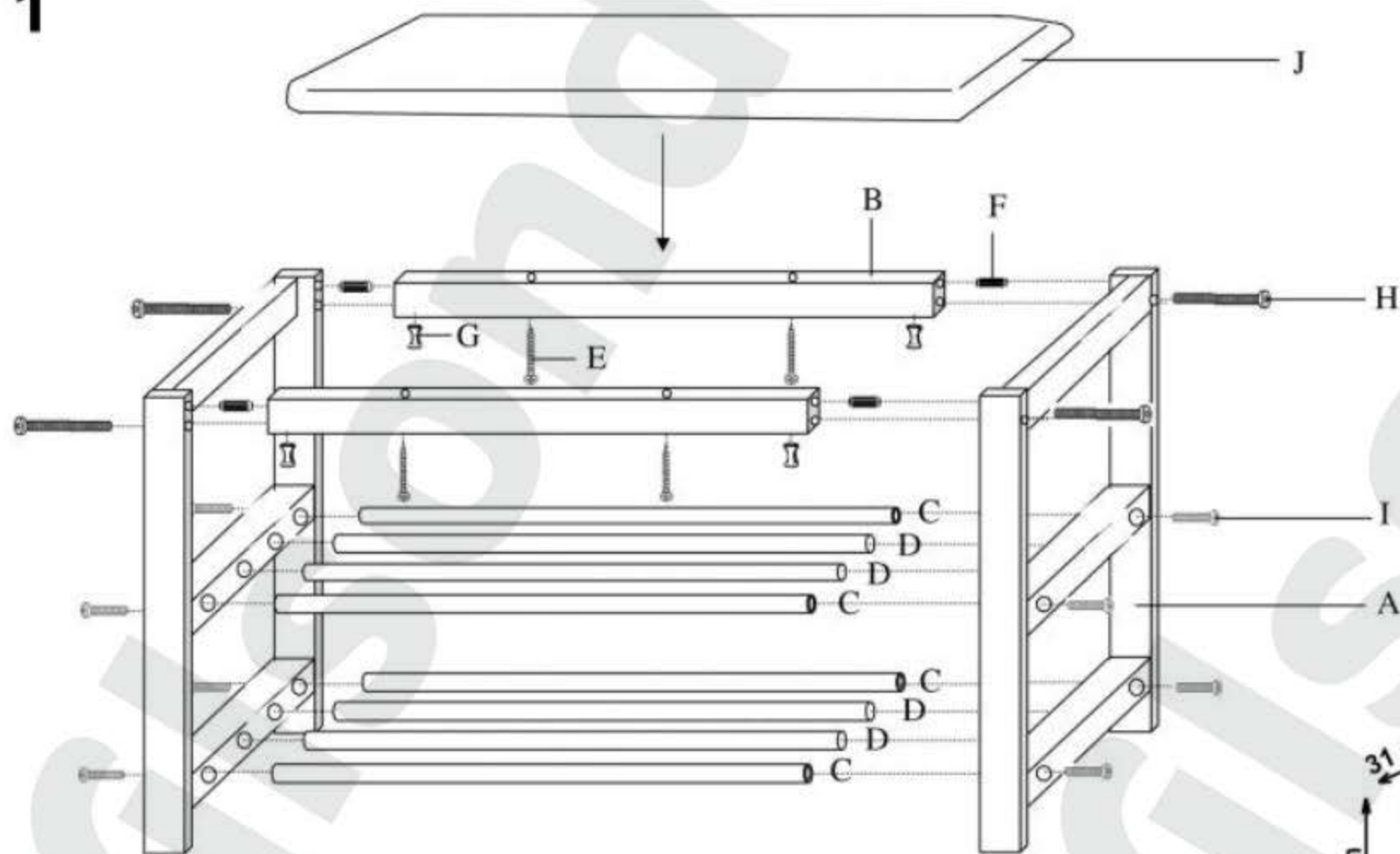


ST-11

1



A		2
B		2
C		4
D		4
E		4
F		4
G		4
H		4
I		8
J		1

