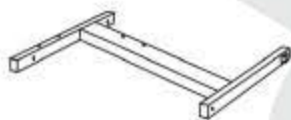


# B-49



Ax1



BRX1 BLX1



Cx2



DRX1 DLX1



Ex2



FRX1 FLX1



Gx1



Hx1



Ix2



Jx4



M6x40mm

Kx4



M6x14mm

Lx10



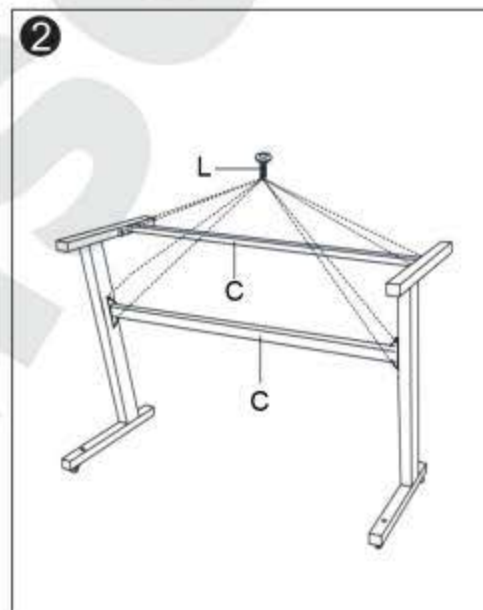
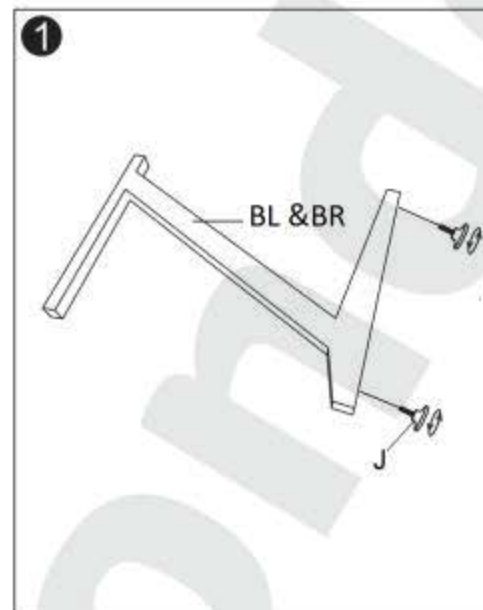
Mx12



Nx1



Ox1



v.1

# B-49

