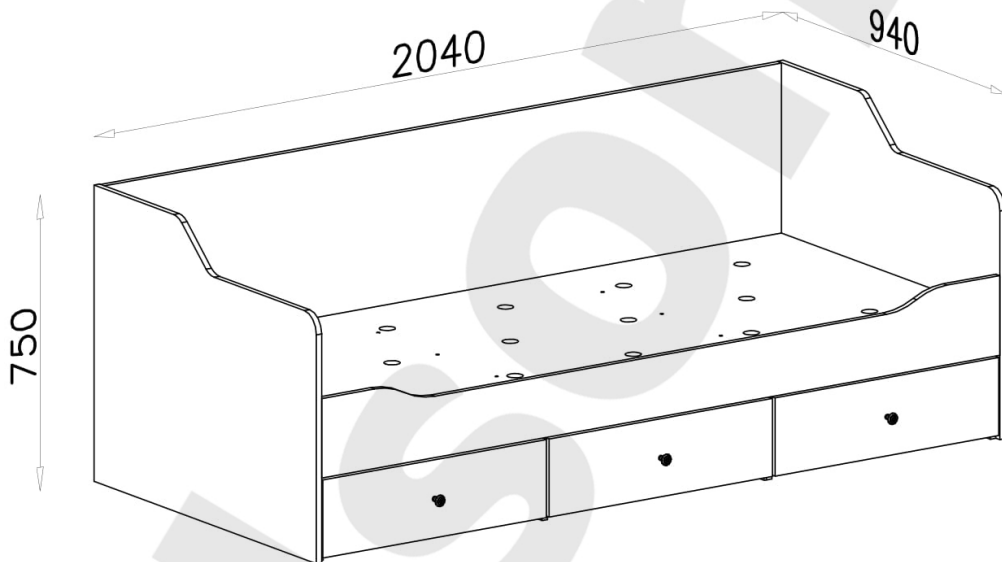
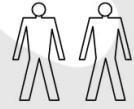
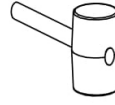
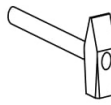
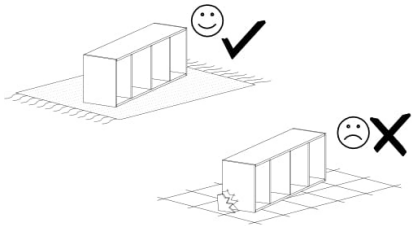
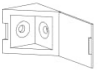
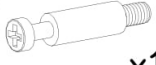
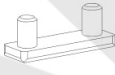



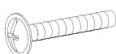





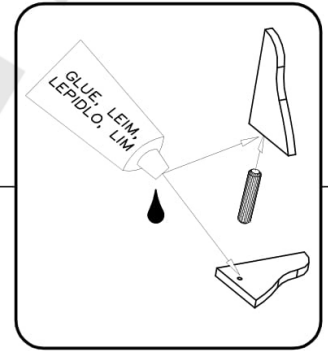
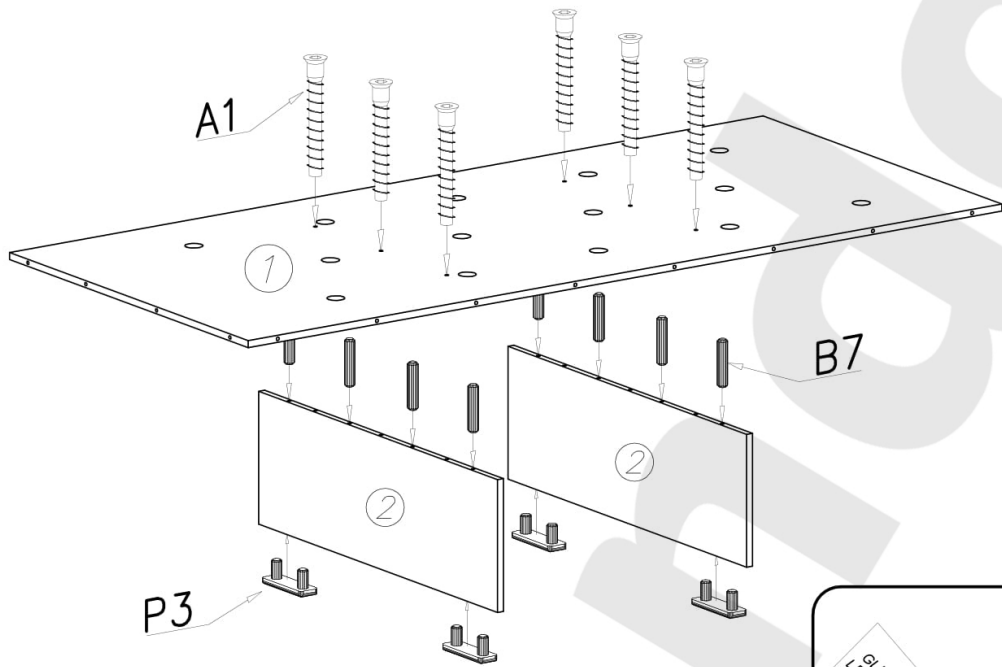


# MILANO S13

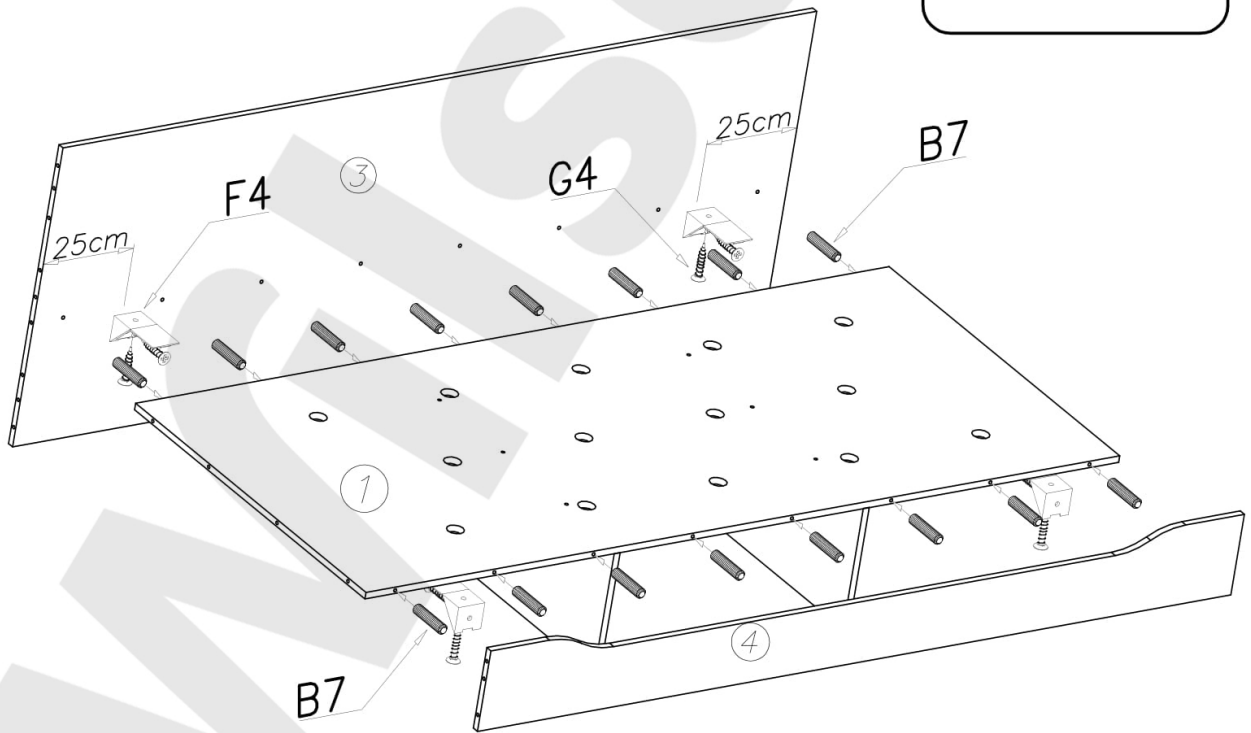


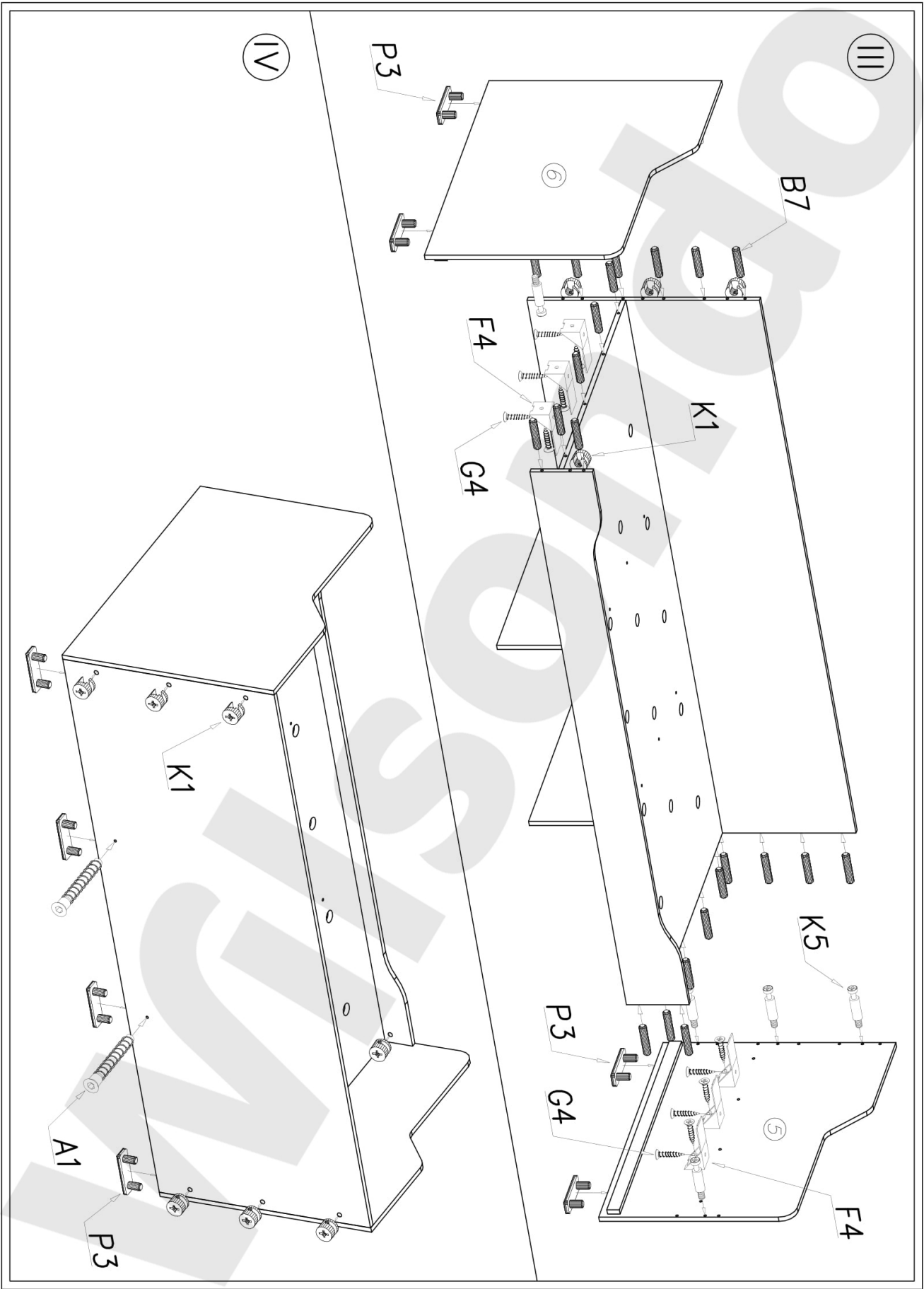
			F4  x10	K5  x14
P3  x12	G4  4x16 x44	W1  GLUE, LEIM, LEPIDLO, LIM x6	E3  x3	N13  M4x22 x3
A1  $\varnothing 7 \times 50$ x32	B7  $\varnothing 8 \times 30$ x108	W2  x1	K1  $\varnothing 15 \times 12$ x14	P24  x12

I

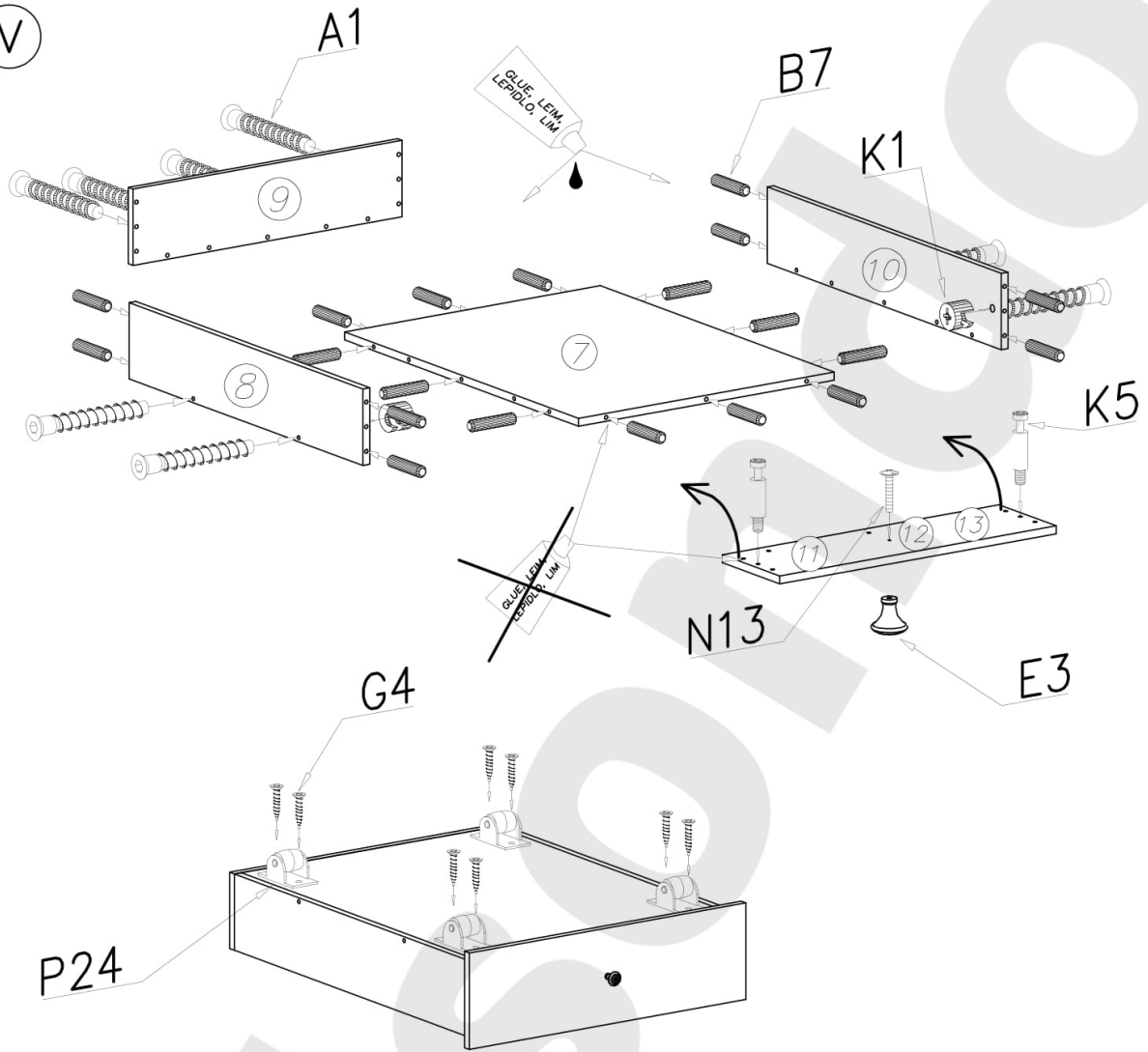


II





V



VI

