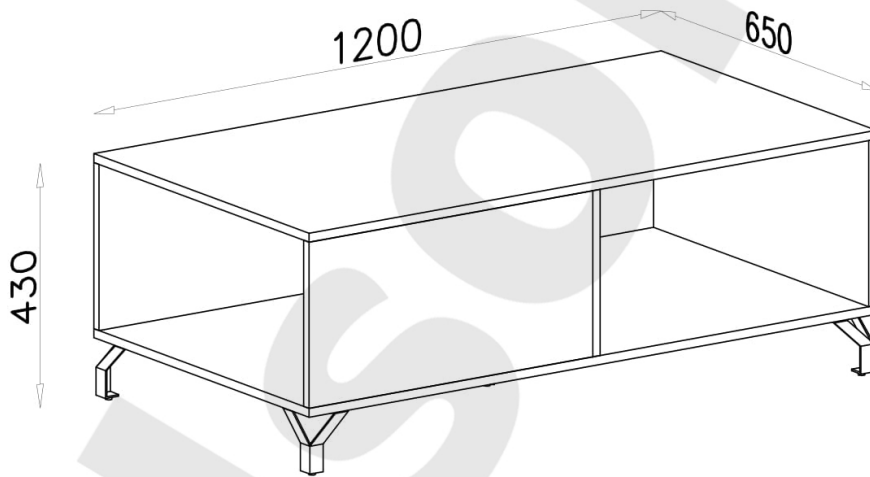
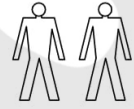
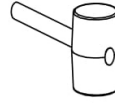
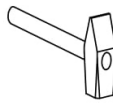
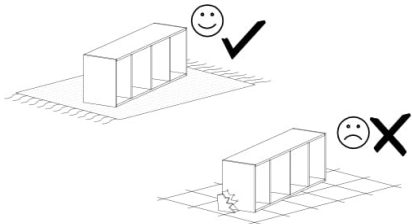


MILANO S10



G44



6,3x16

x20

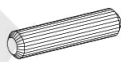
A1



ø7x50

x8

B7



ø8x30

x24

W2



x1

P6



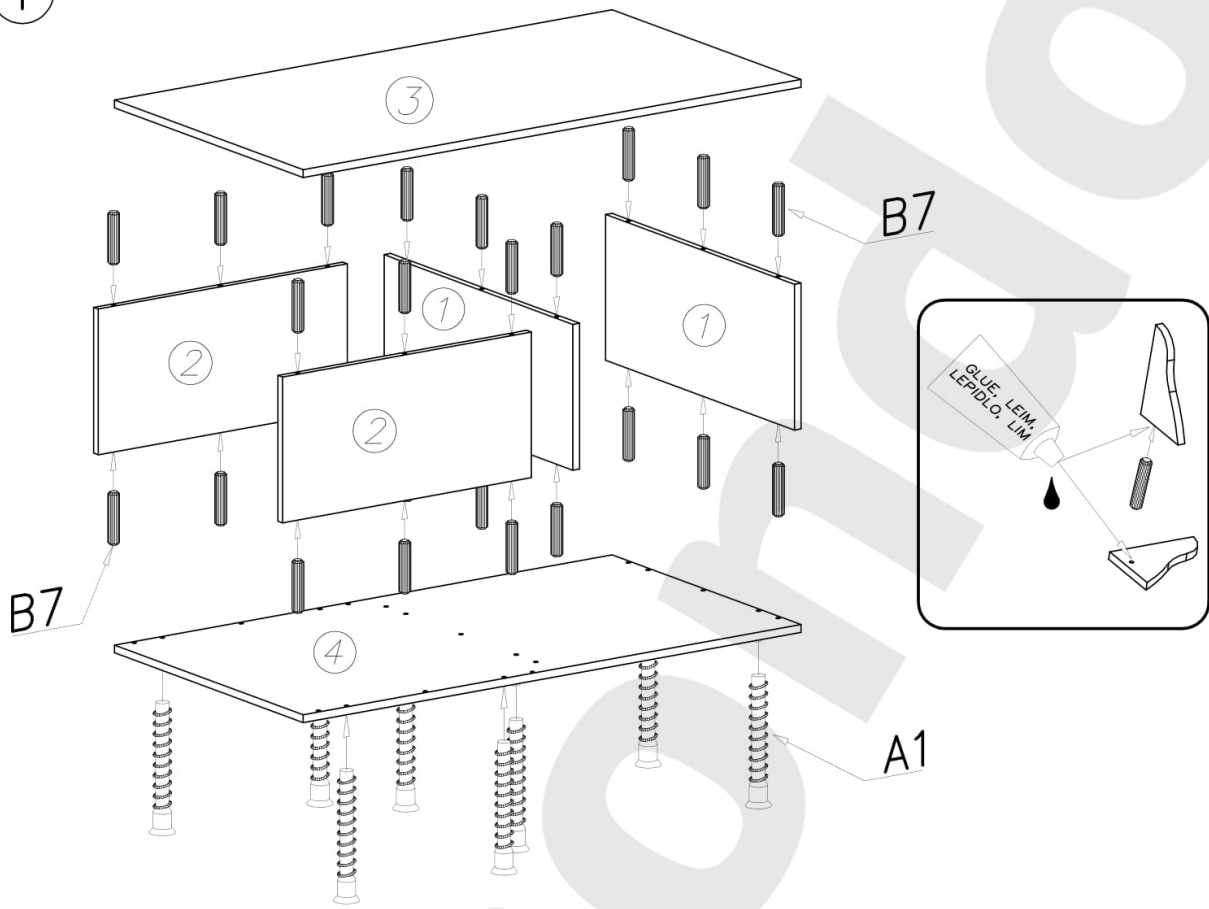
x5

W1



x2

I



II

