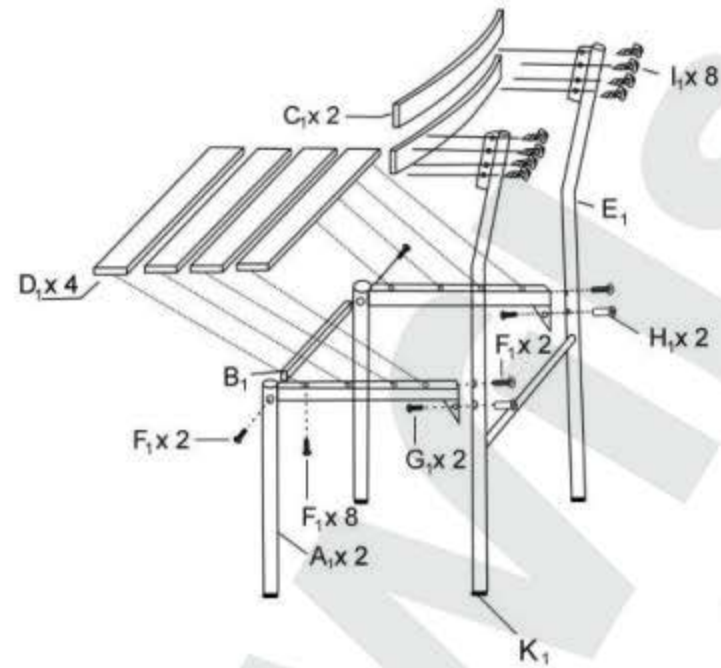
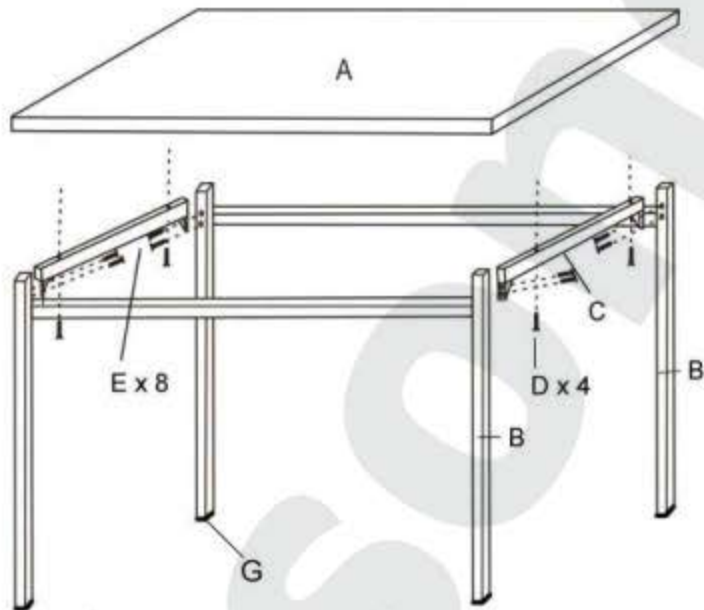


# MALCOLM



A		1	D		4
B		2	E		8
C		2	F		1

A <sub>1</sub>		8
B <sub>1</sub>		4
C <sub>1</sub>		8
D <sub>1</sub>		16
E <sub>1</sub>		4
F <sub>1</sub>		48
G <sub>1</sub>		8
H <sub>1</sub>		8
I <sub>1</sub>		32
J <sub>1</sub>		1