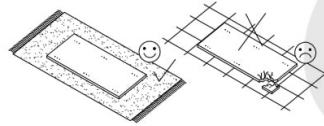
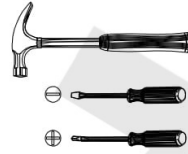
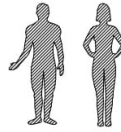
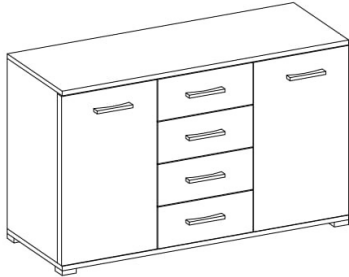
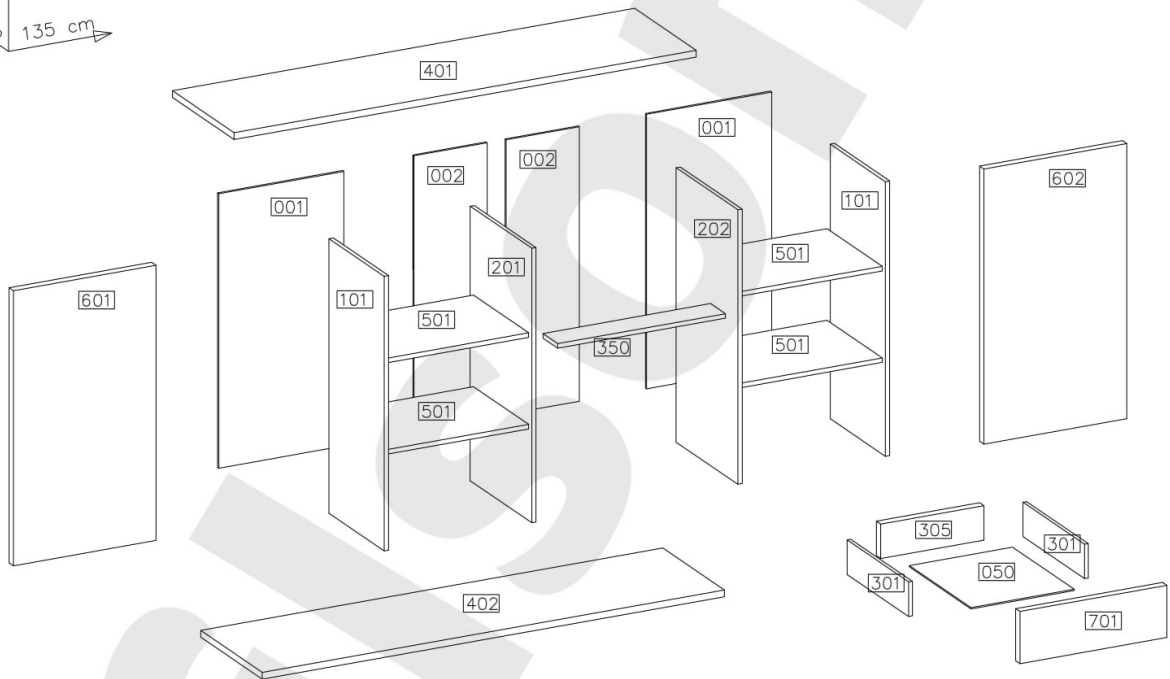
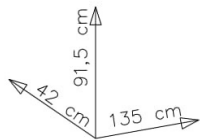


# PL - KOMODA NESIA 2D4S / SK - KOMODA NESIA 2D4S / HU - NESIA 2D4S KOMÓD





#	ART. NR	X
1	401	1
2	402	1
3	101	2
4	201	1
5	202	1
6	601	1
7	602	1
8	501	4
9	701	4
10	301	8
11	305	4
12	050	4
13	001	2
14	002	2
15	350	1

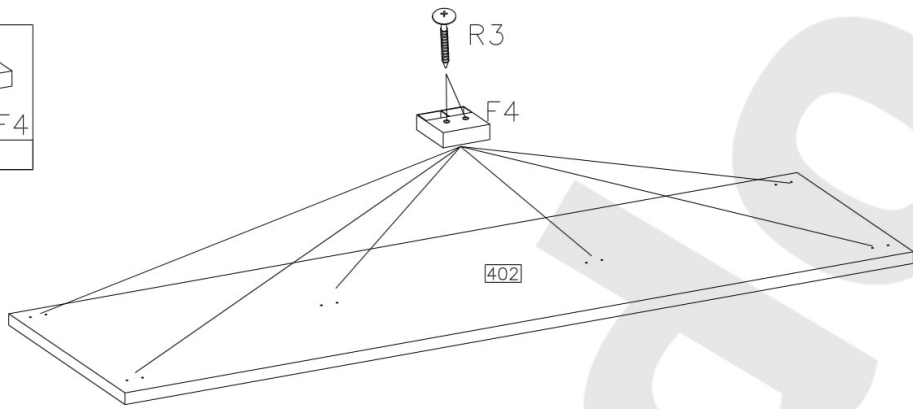


D1	C	E	A	H4	G6	P2	P1	S1	R2
18	18	18	50	4	4	16	24	6	12
R3	F4	PR	J4	Z1	F8	F10	O11		
12	6	4KPL	16	1	10	80	4		




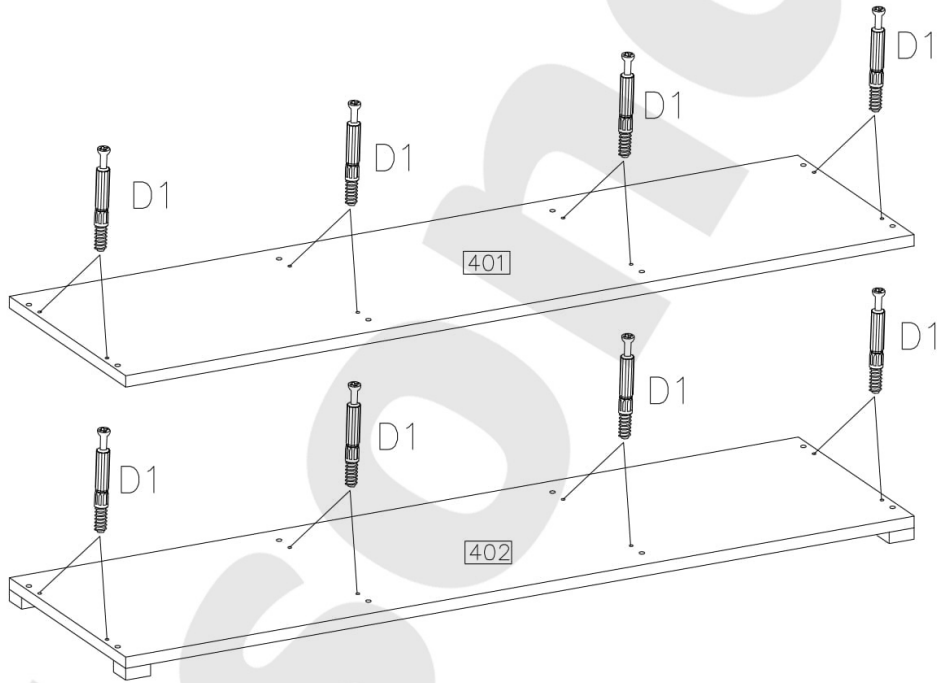
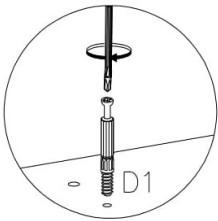
1

4.0x35mm		
	R3	F4
	12	6







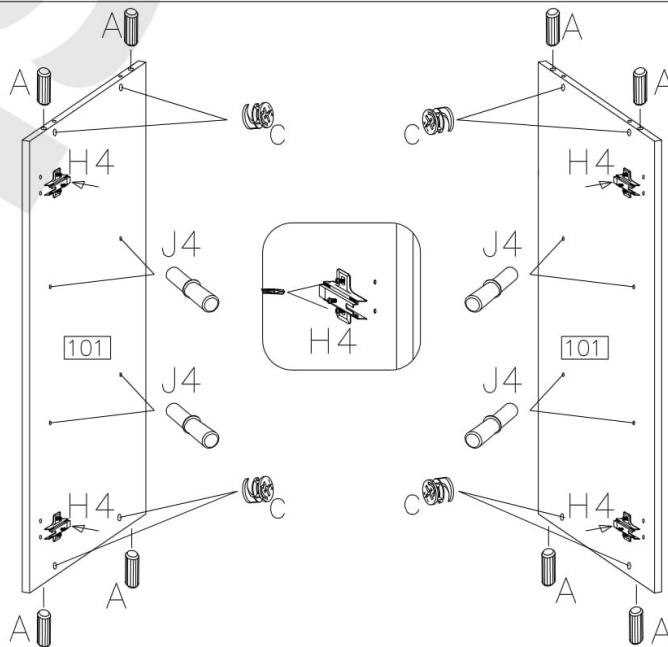
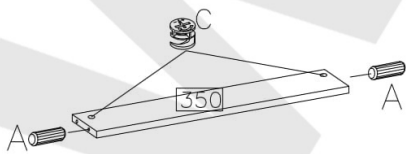
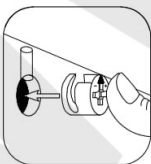
2


D1
16







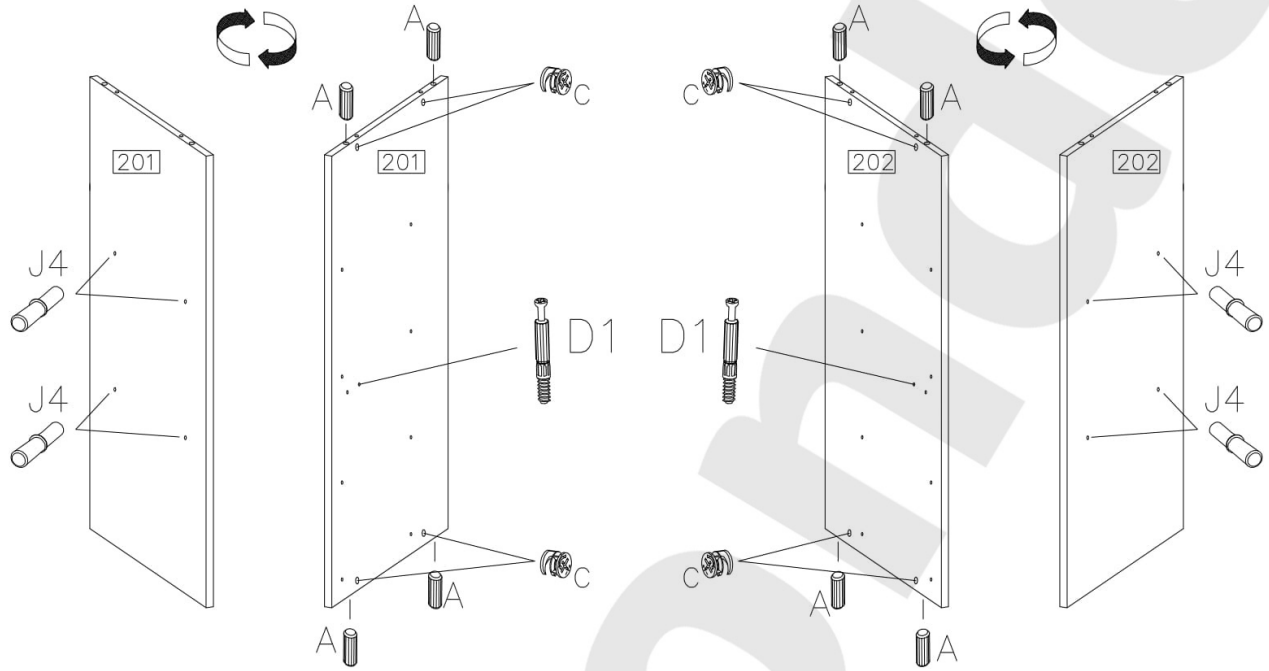
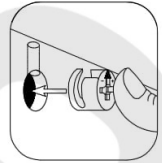
3

H=0	ø8x30mm	ø15/12mm
		
H4	A	C
4	10	10
		
J4		
8		




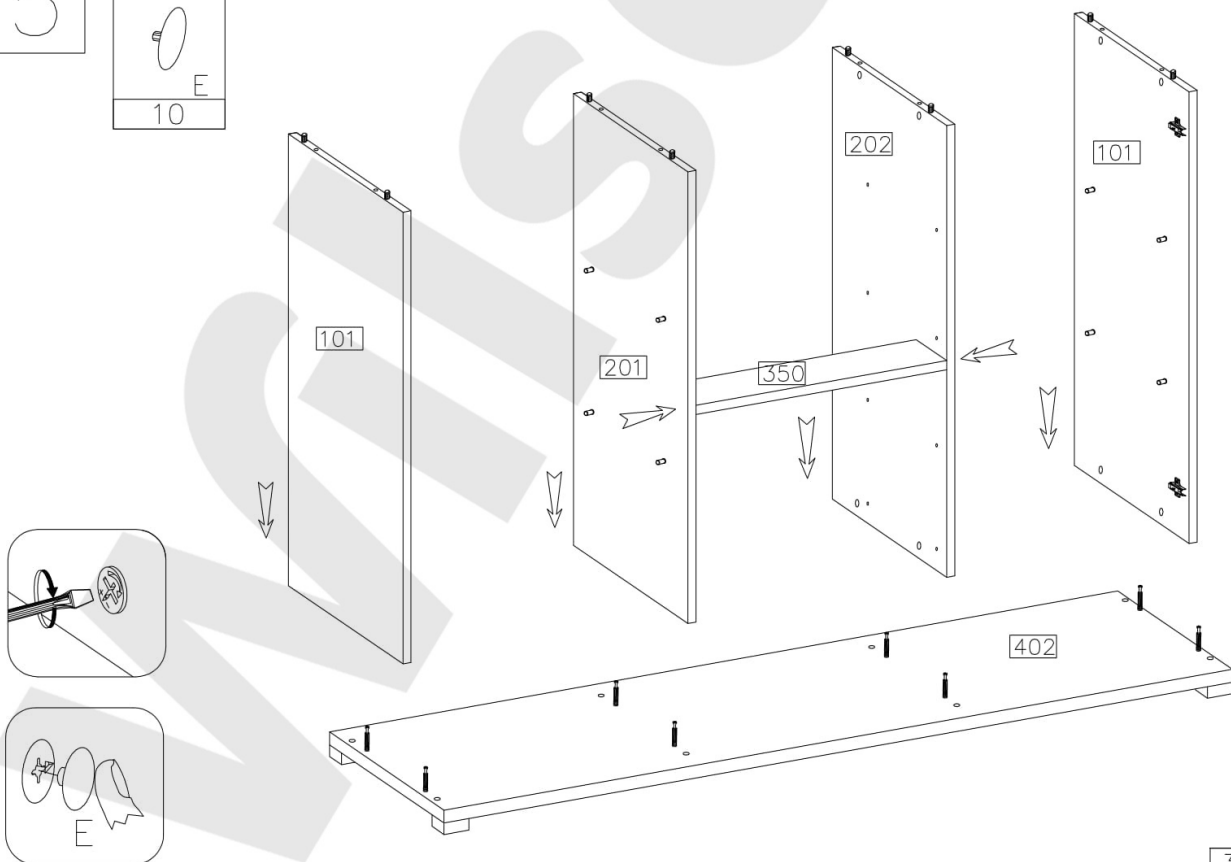
4

			
D1	ø15/12mm	ø8x30mm	
2	8	8	8

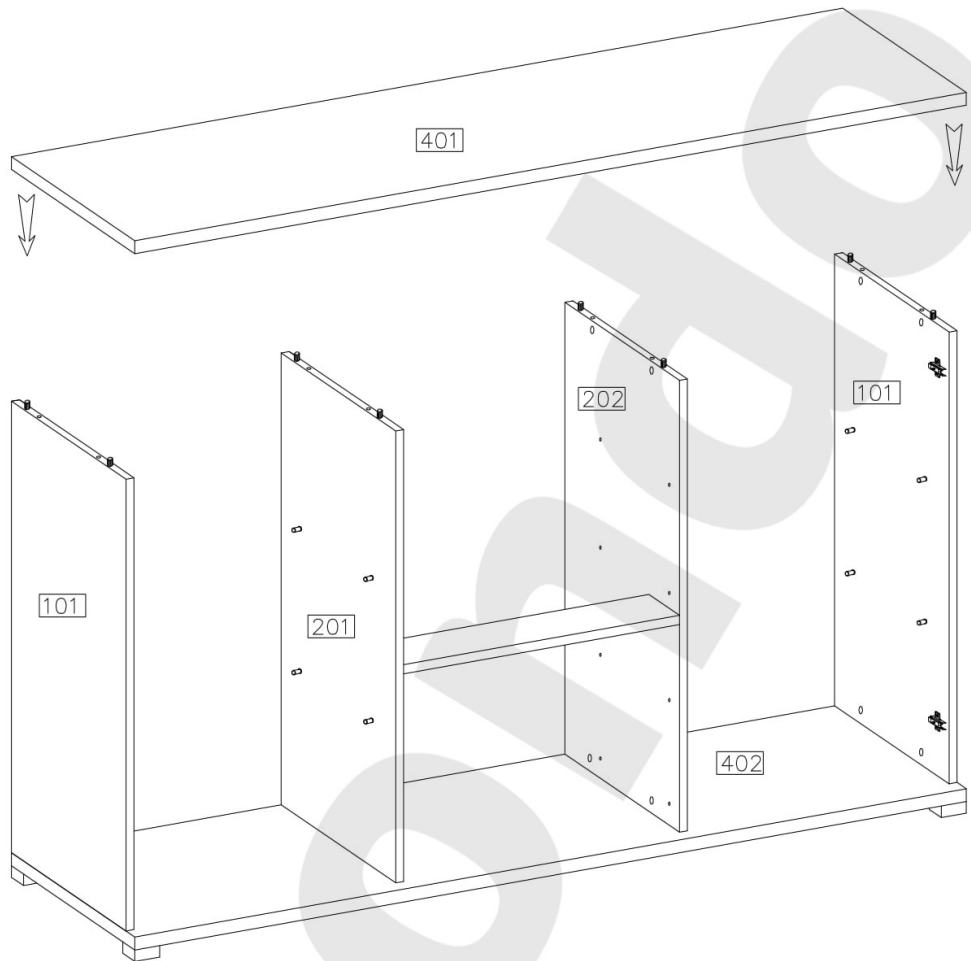
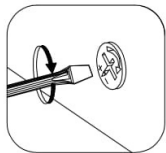
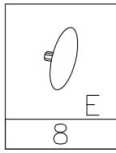


5

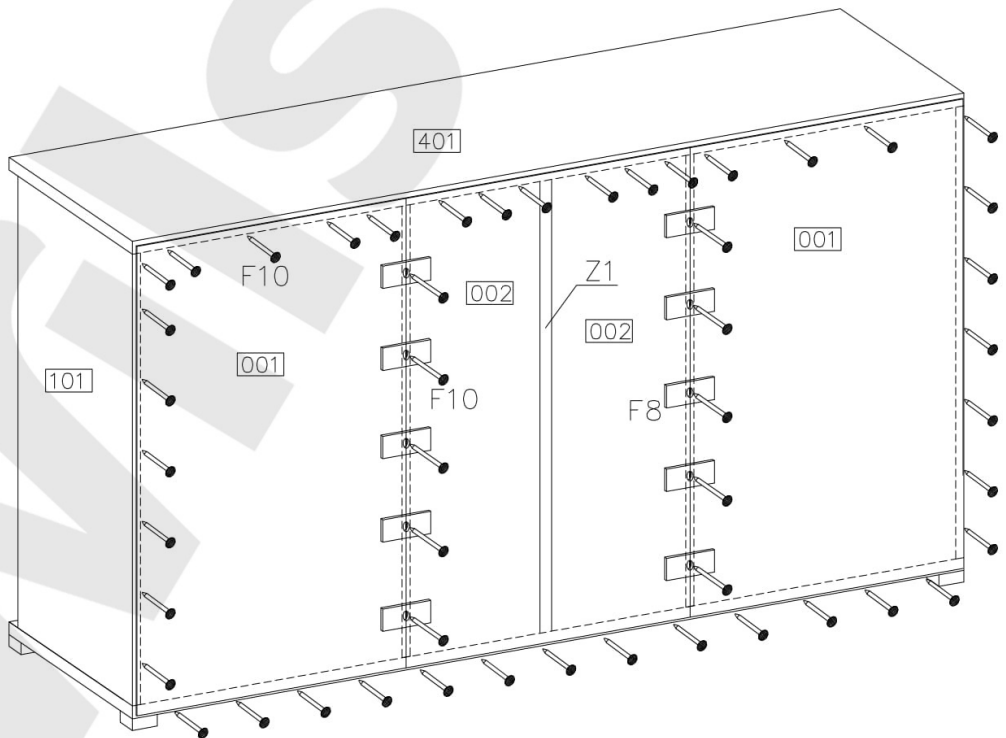
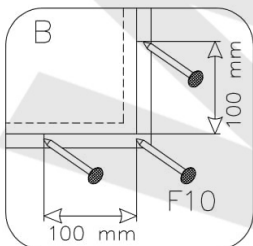
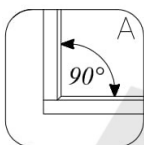
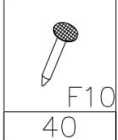
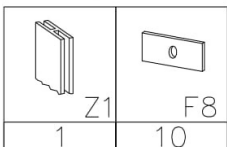

E
10



6

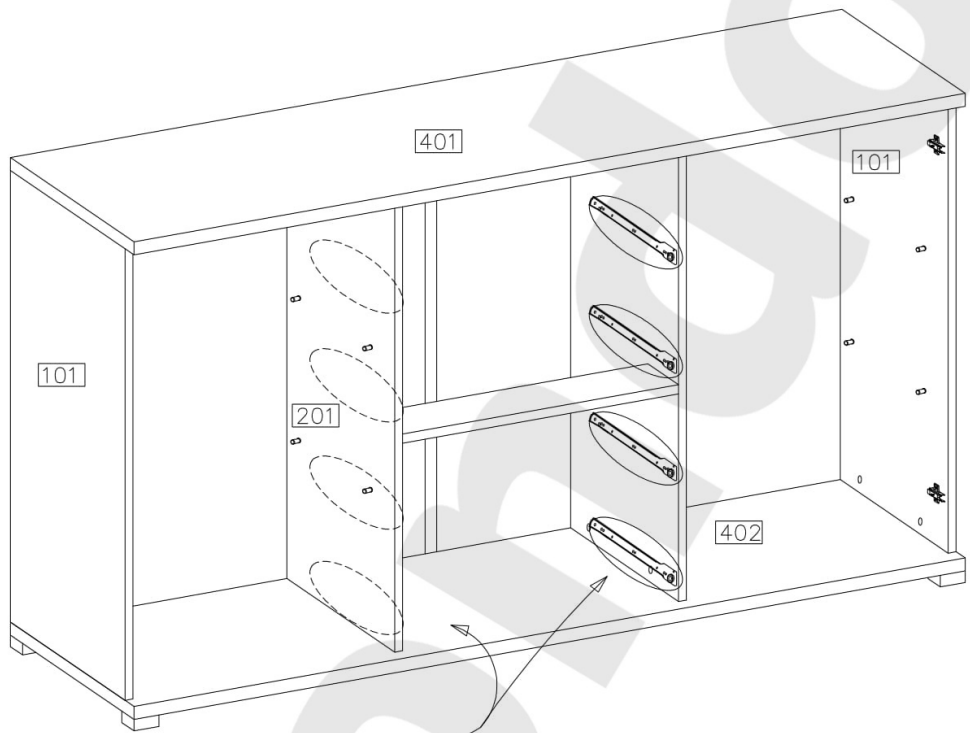
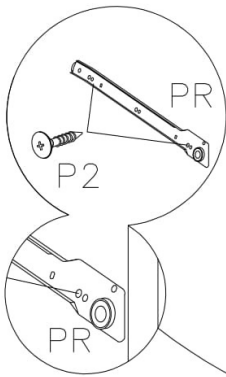


7

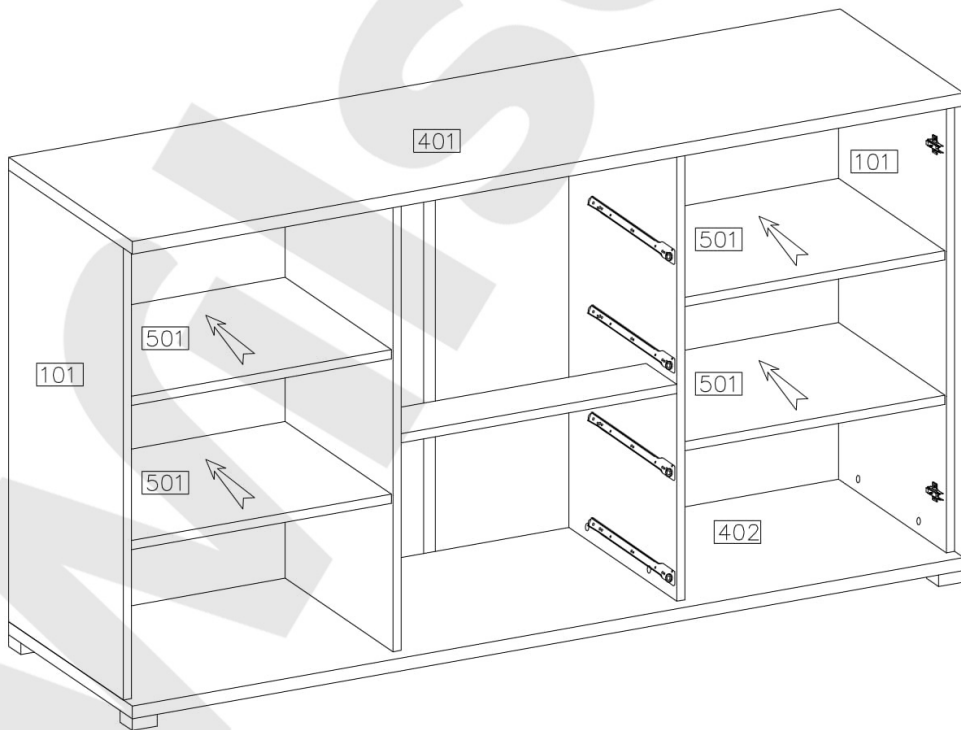


8

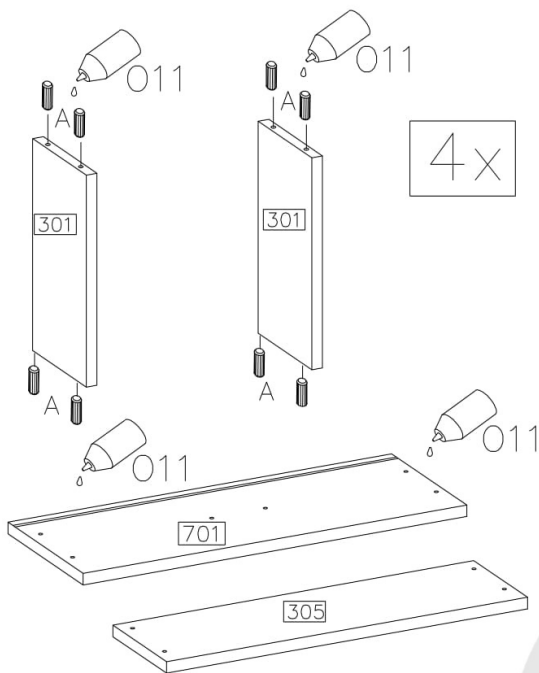
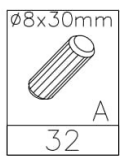
- L-350
- PR
- 4KPL
- 3.5x13mm
- P2
- 16



9

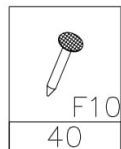


10

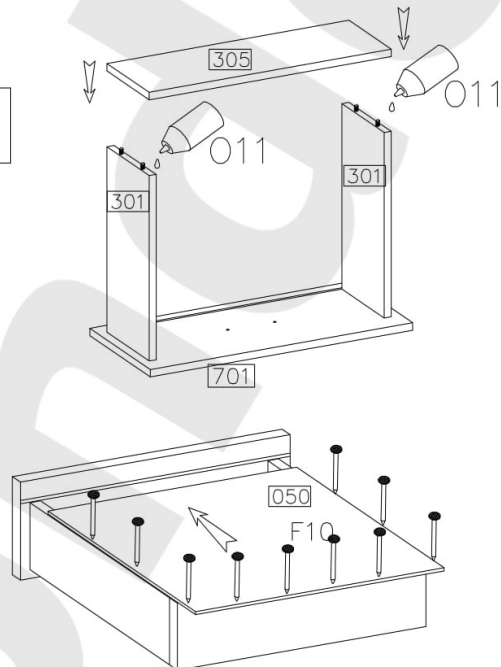


4x

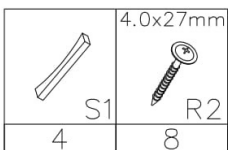
11



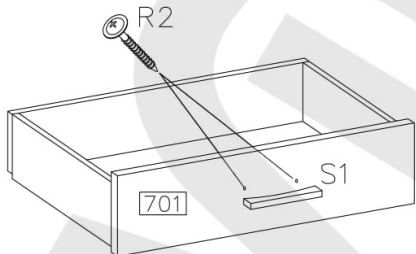
4x



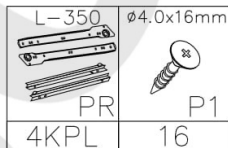
12



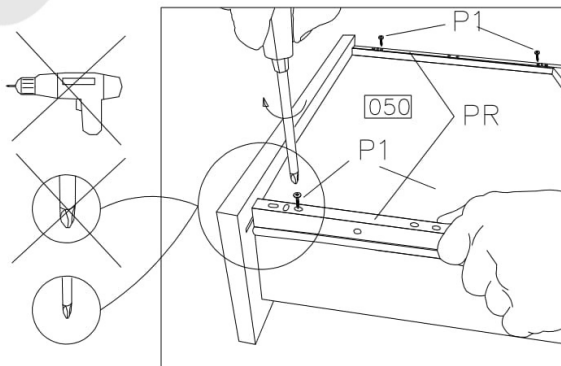
4x







13

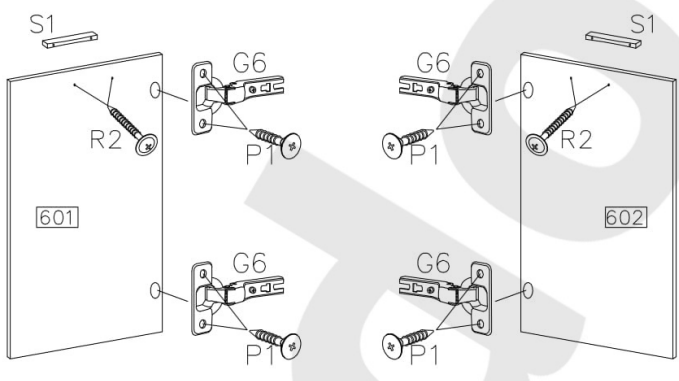


4x



14

 $\varnothing 35/90^\circ$ G6	 $\varnothing 4.0 \times 16 \text{mm}$ P1	 S1	$4.0 \times 27 \text{mm}$  R2
4	8	2	4



15

