

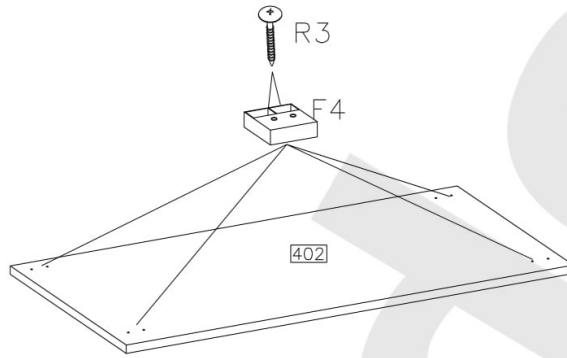





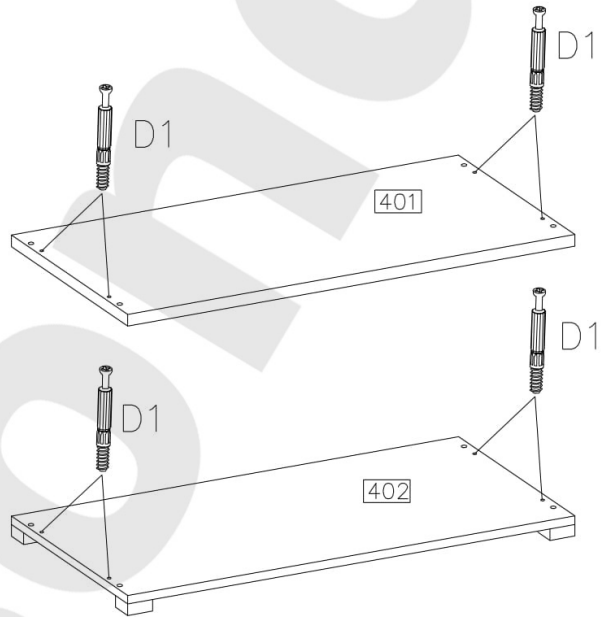
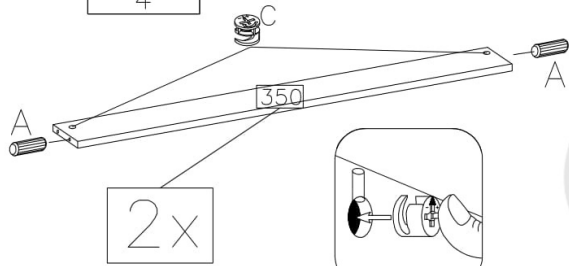
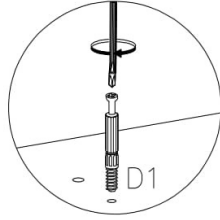
1

4.0x35mm		
	R3	F4
	8	4






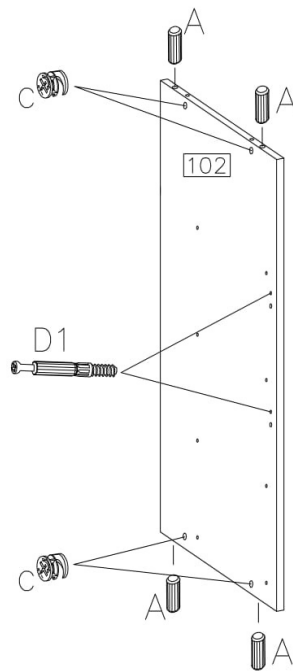
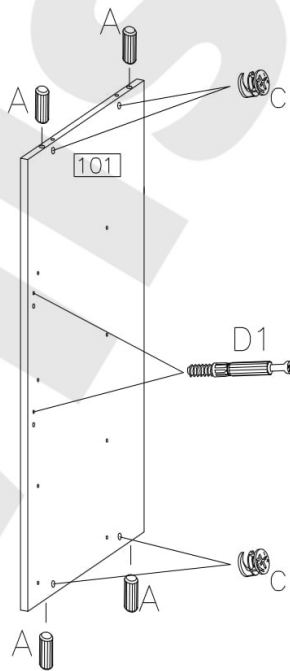
2

	
D1	C
8	4
	
∅8x30mm	
A	
4	

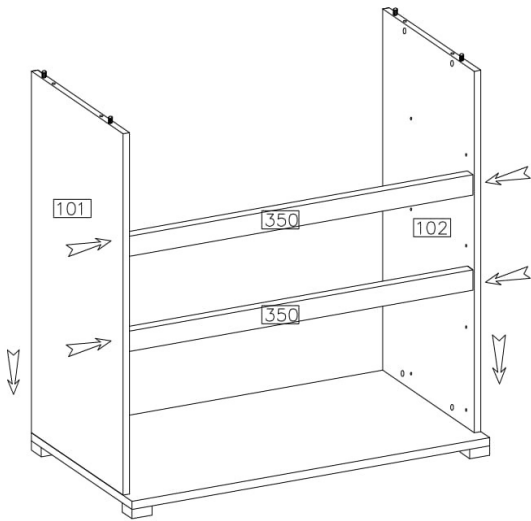
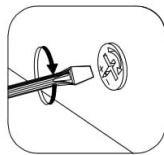
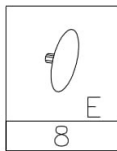


3

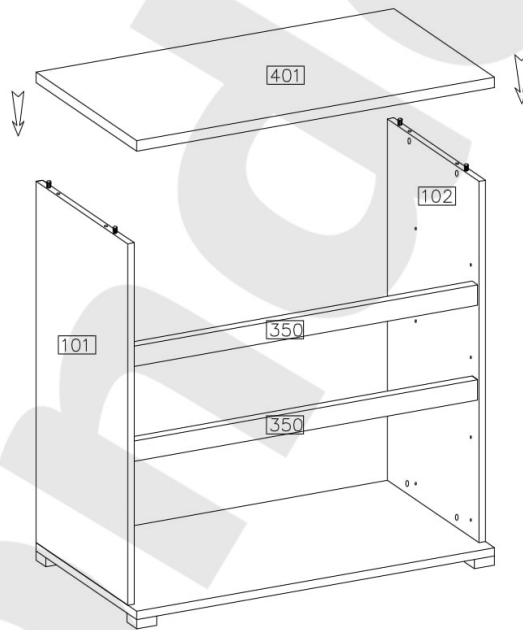
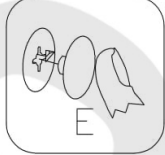
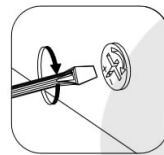
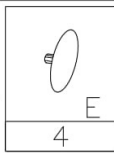
	
∅8x30mm	∅15/12mm
A	C
8	8
	
D1	
4	



4



5



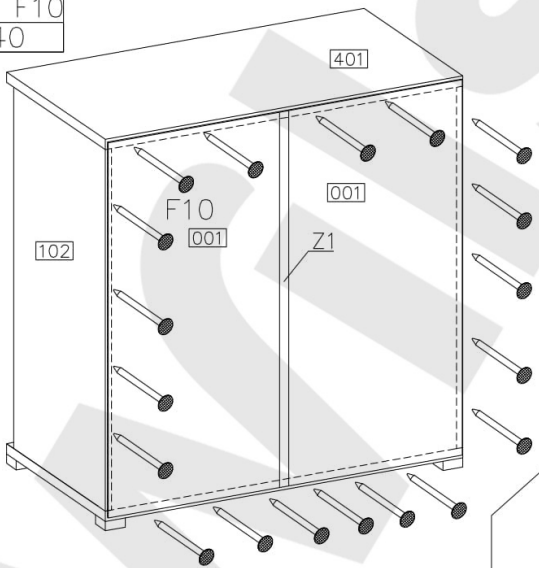
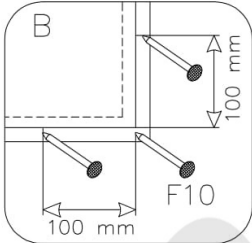
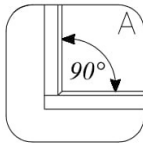
6



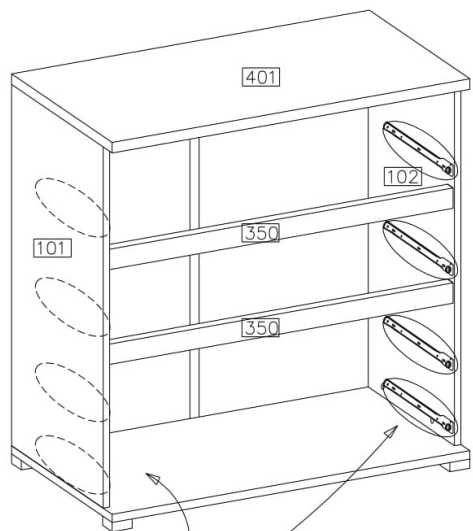
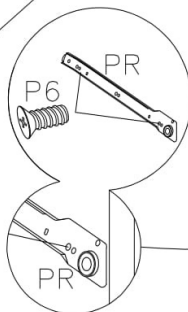
1



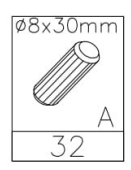
40



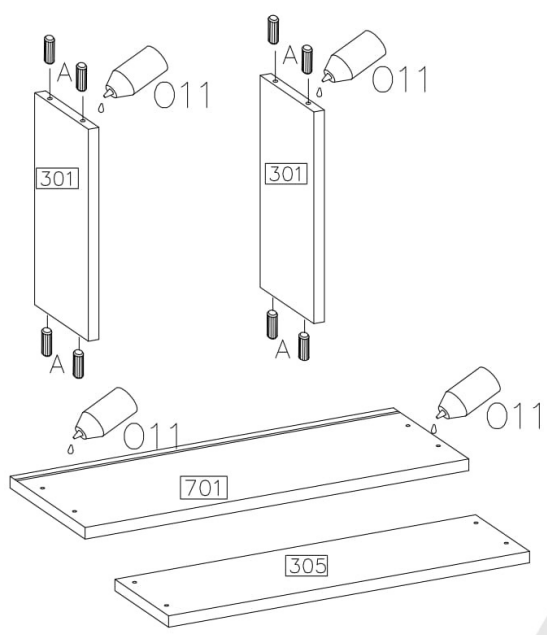
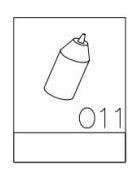
7



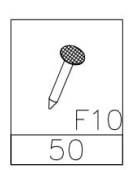
8



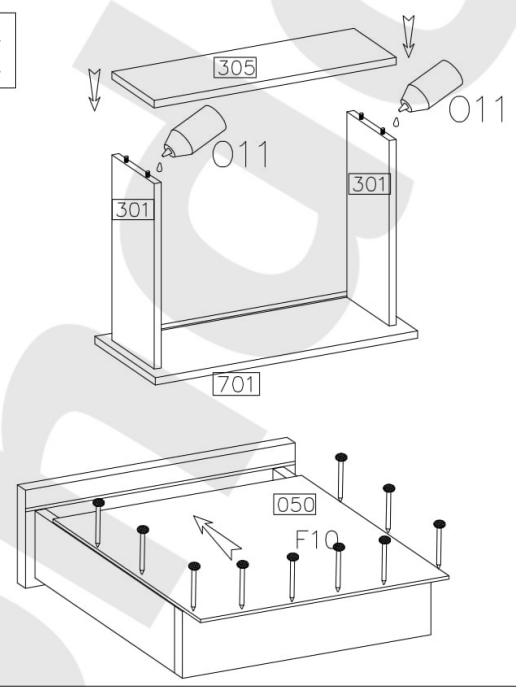
4x



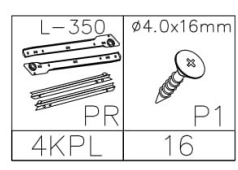
9



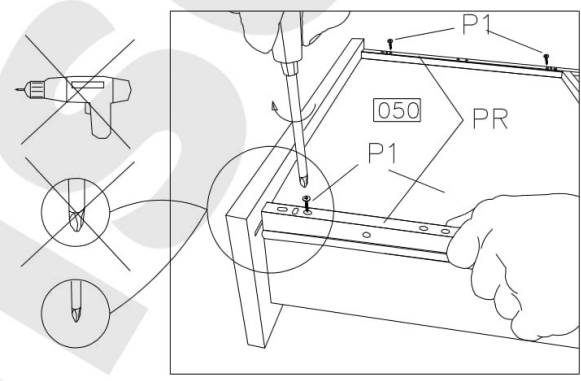
4x



10



4x



11

