

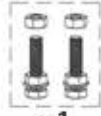
x1



x5



x2



x1



x2



x2



x3



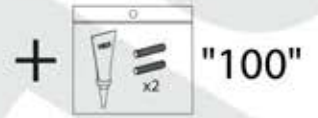
x1



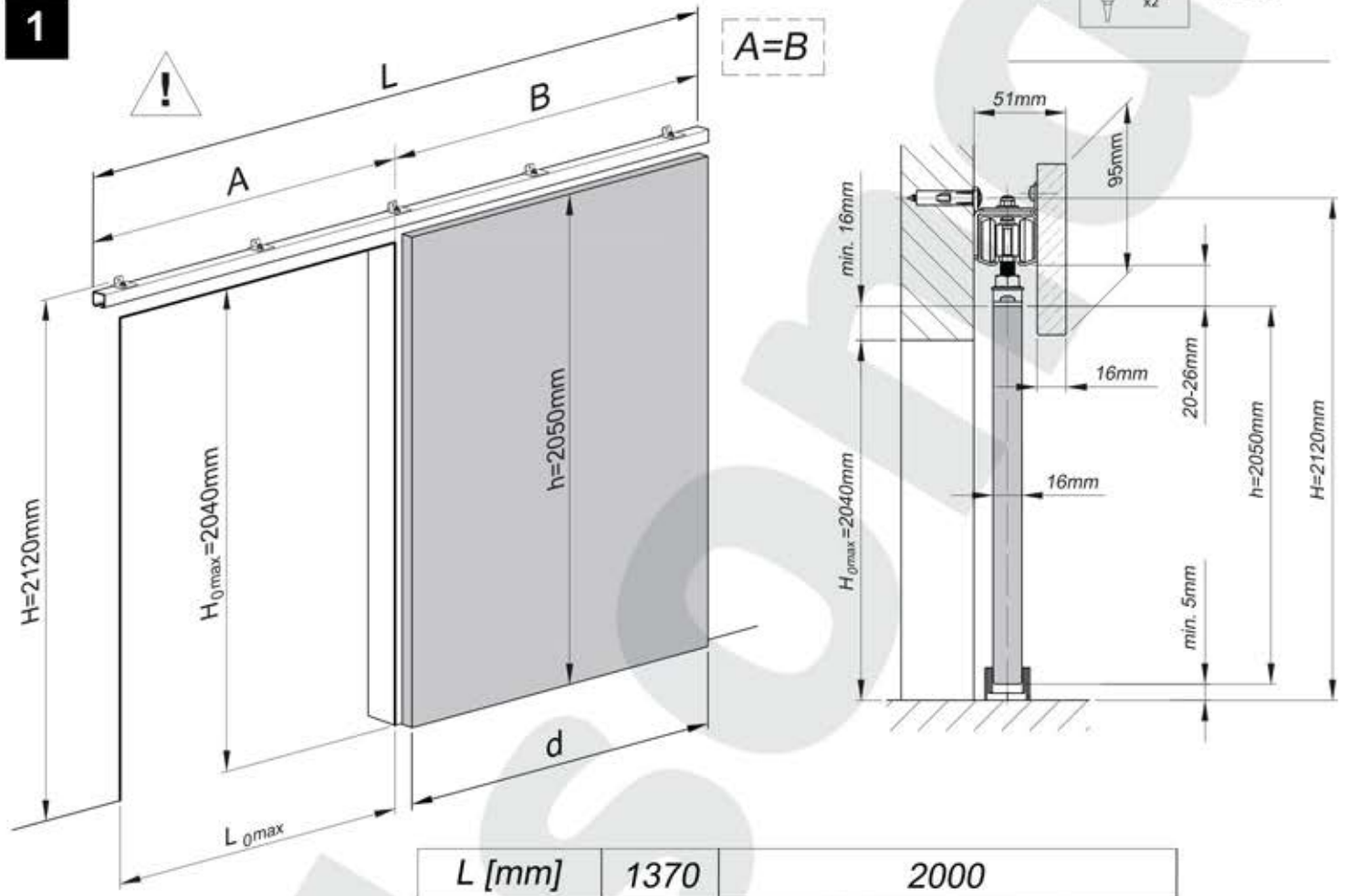
x1



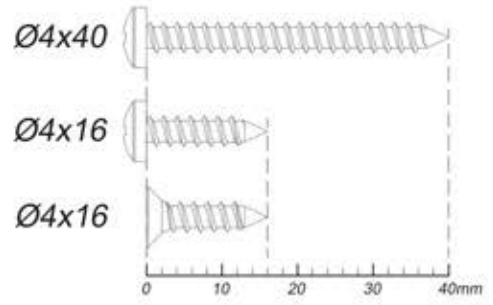
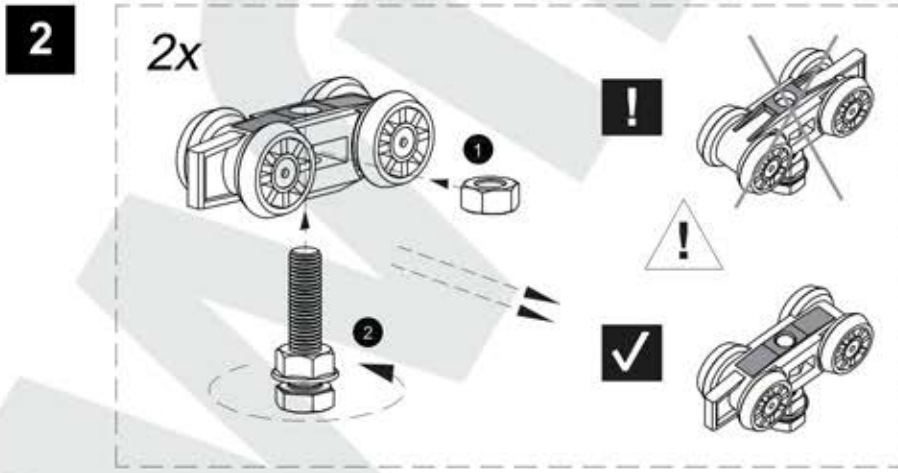
40
KG



"100"



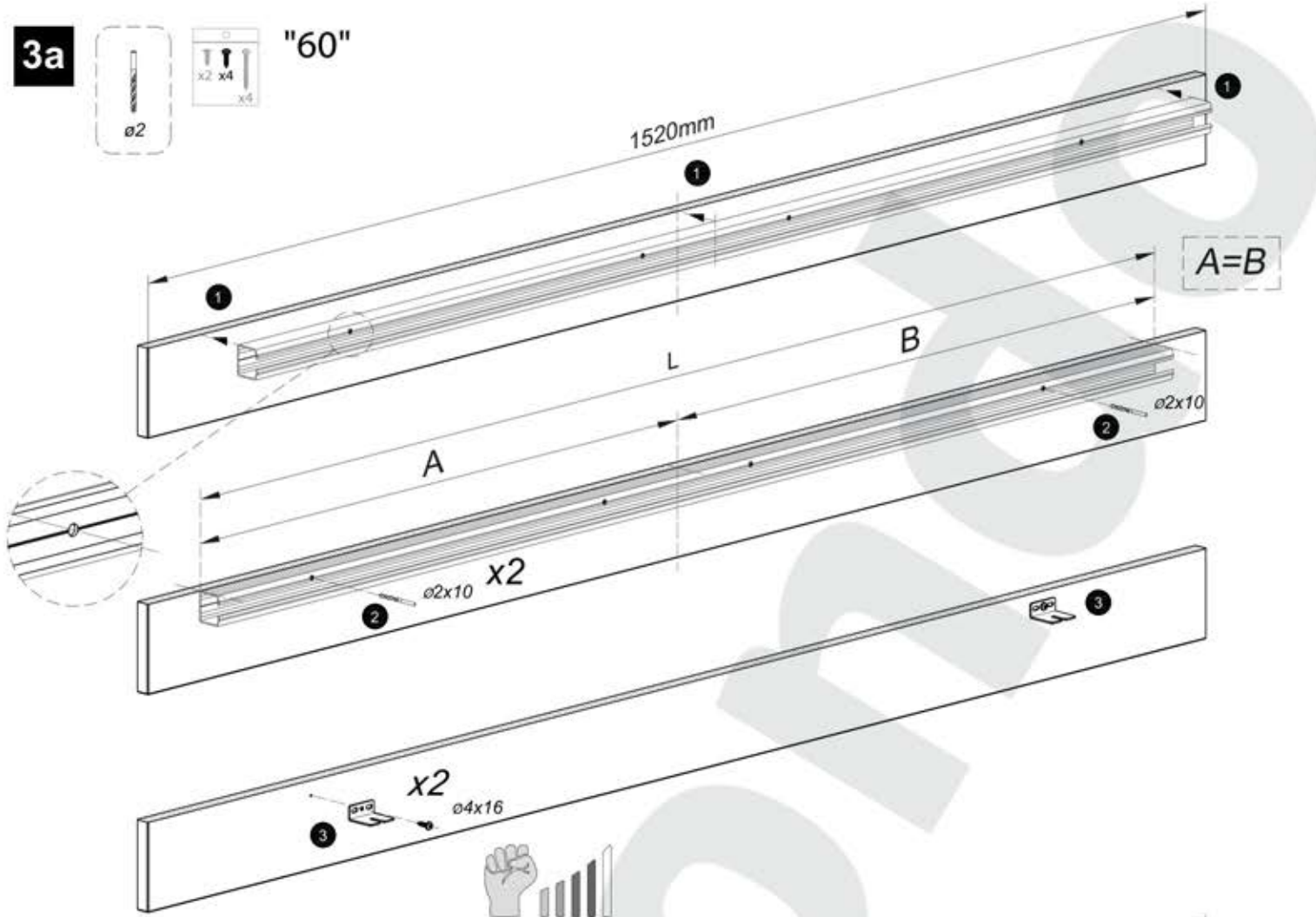
L [mm]	1370	2000			
d [mm]	660 "60"	760 "70"	860 "80"	960 "90"	1060 "100"
L _{0max} [mm]	600	700	800	900	1000



3a



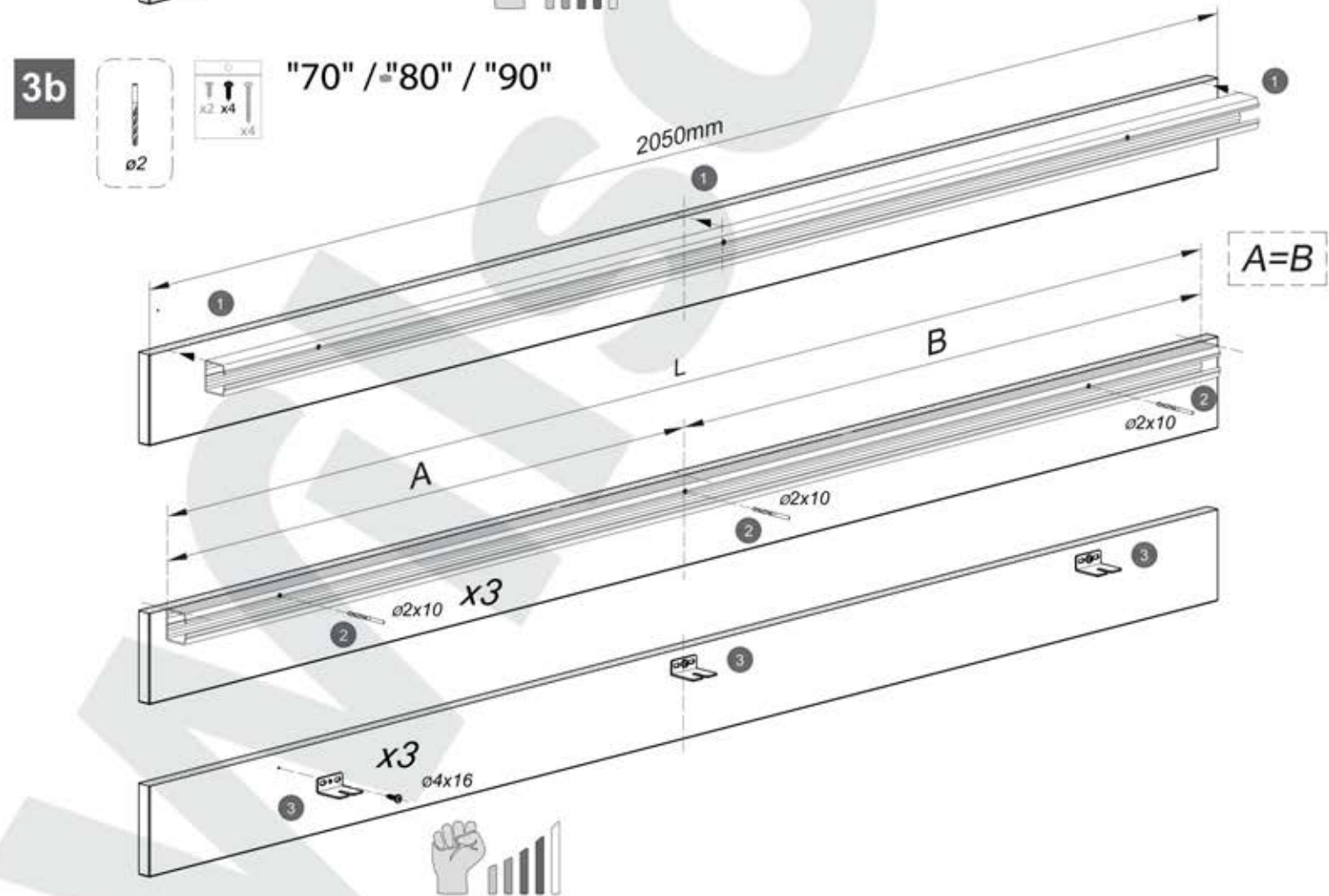
"60"



3b



"70" / "80" / "90"



3c



"100"



1100mm

1100mm

2200mm

A=B

A

B

L

$\varnothing 2 \times 10$ x2

$\varnothing 2 \times 2$

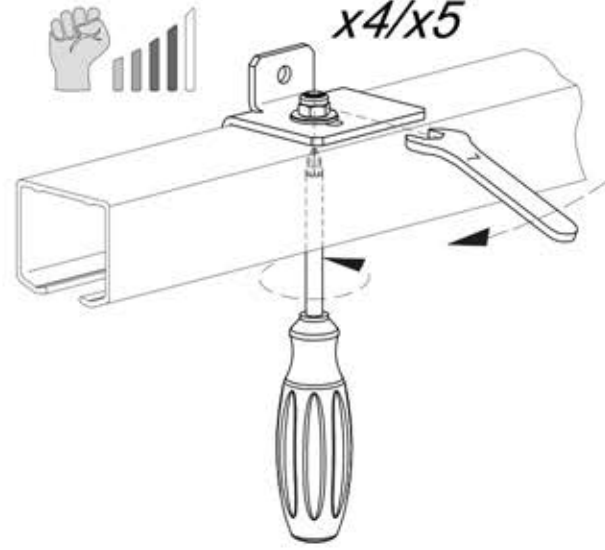
$\varnothing 4 \times 16$ x2

$\varnothing 2 \times 10$

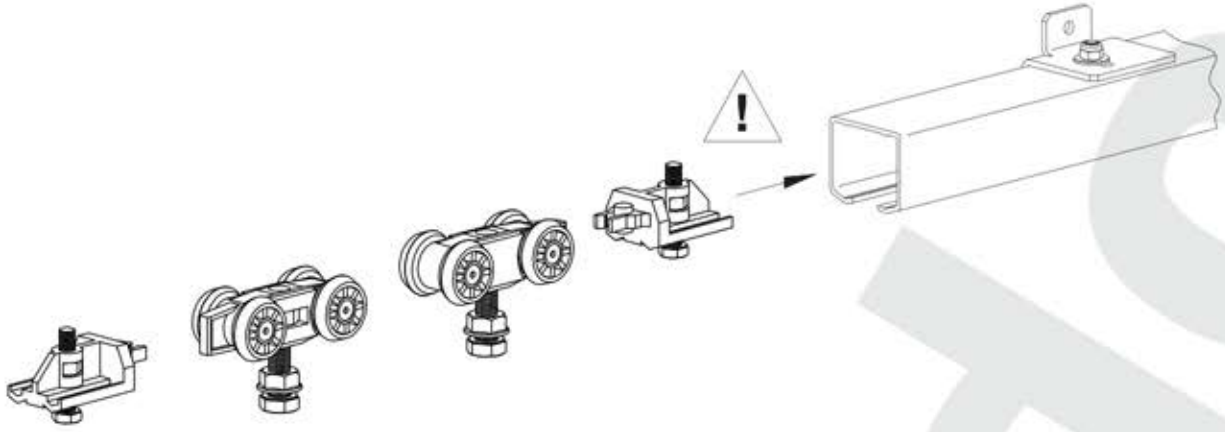
$\varnothing 4 \times 16$

x4/x5




4

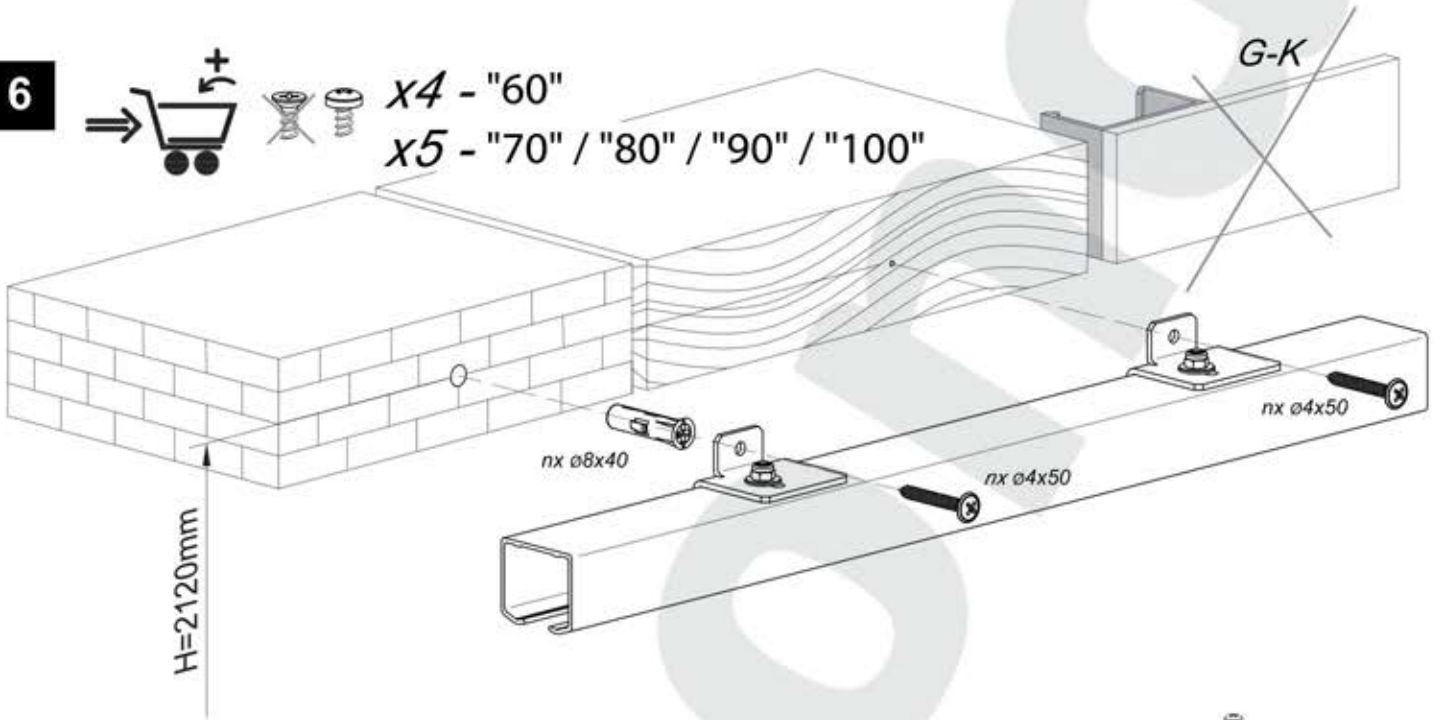


5

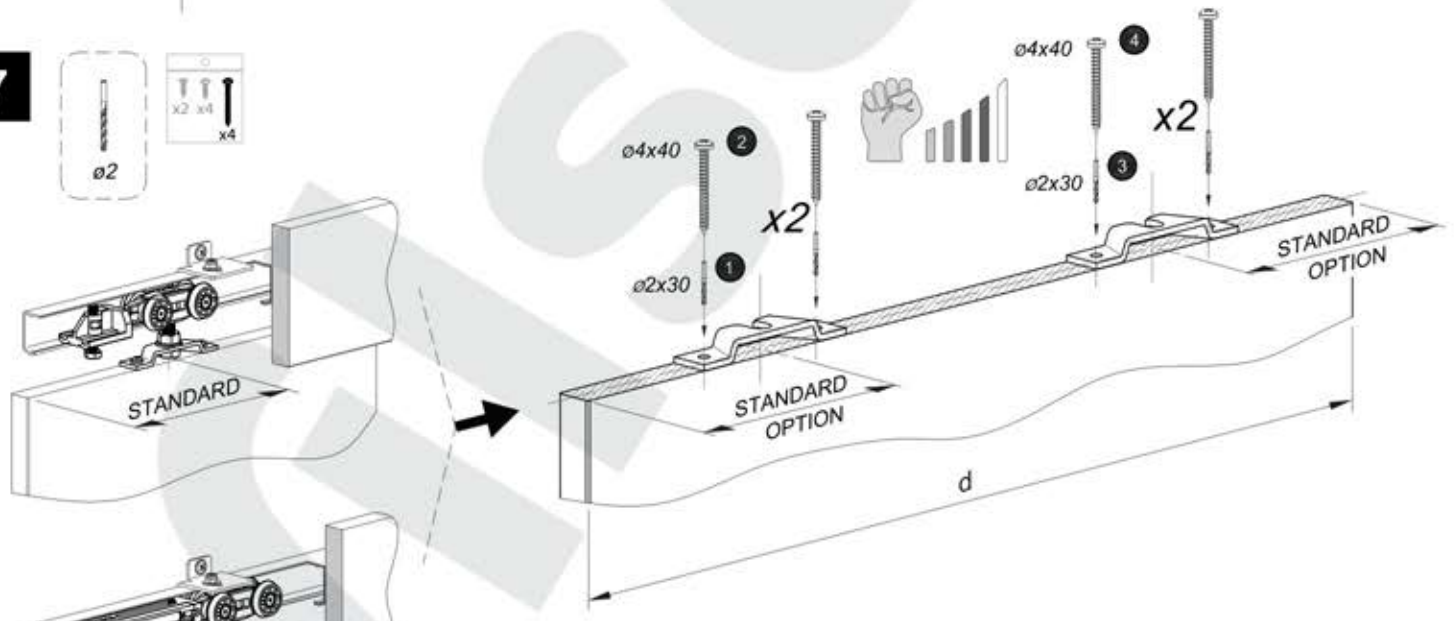


6




 x4 - "60"
 x5 - "70" / "80" / "90" / "100"



7

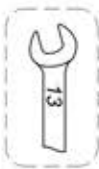


⚠

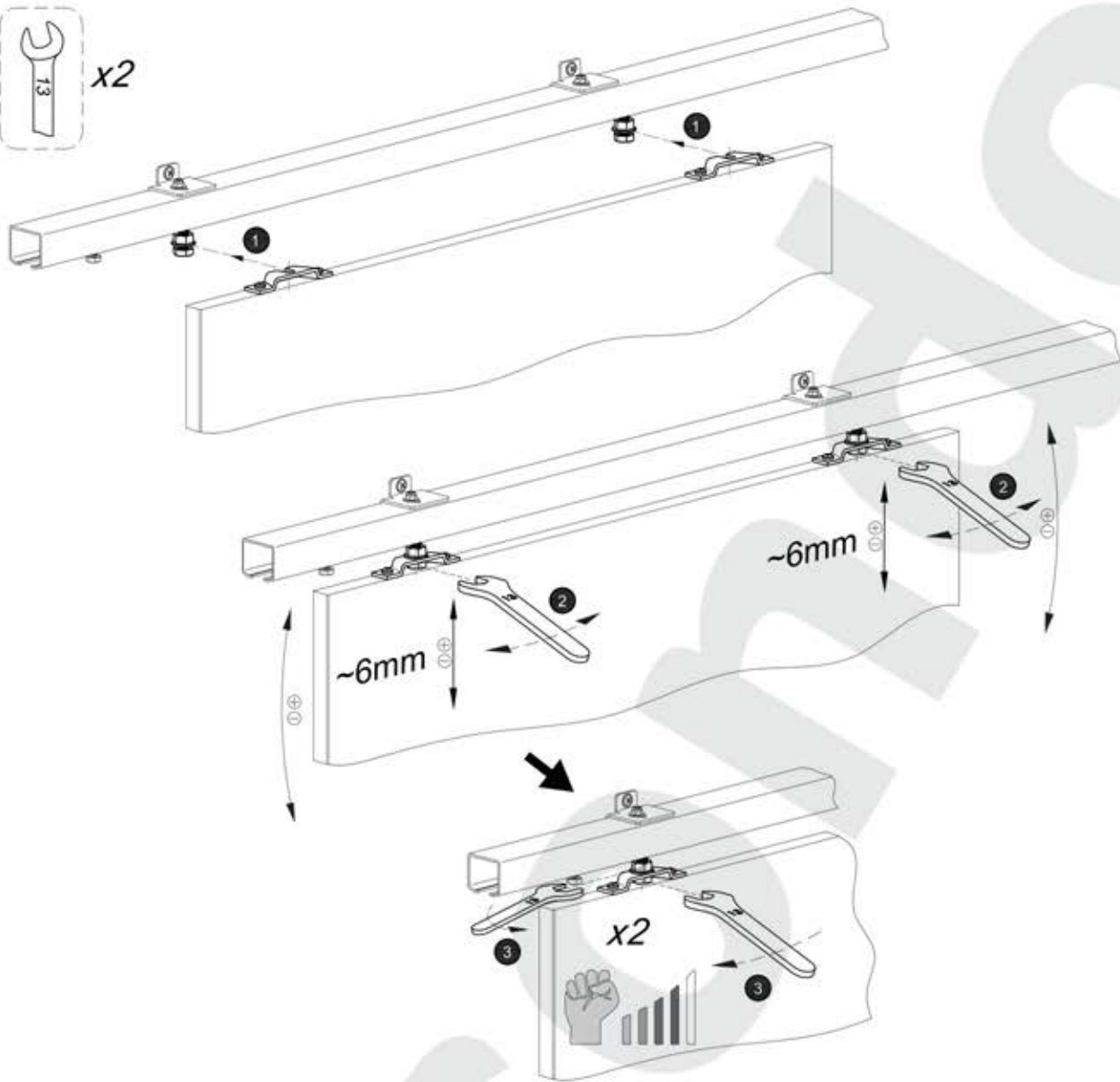
<i>d</i> [mm]	660 "60"	760 "70"	860 "80"	960 "90"	1060 "100"
STANDARD [mm]		100			160
OPTION [mm]		180			210



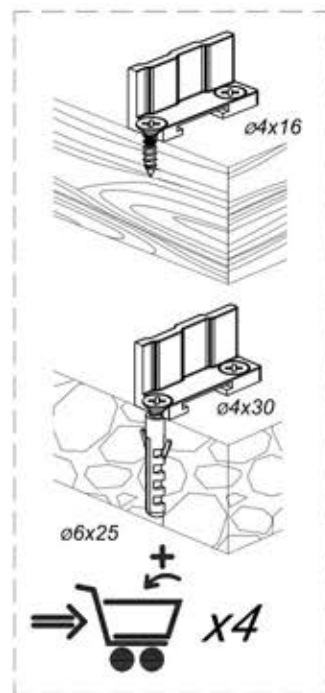
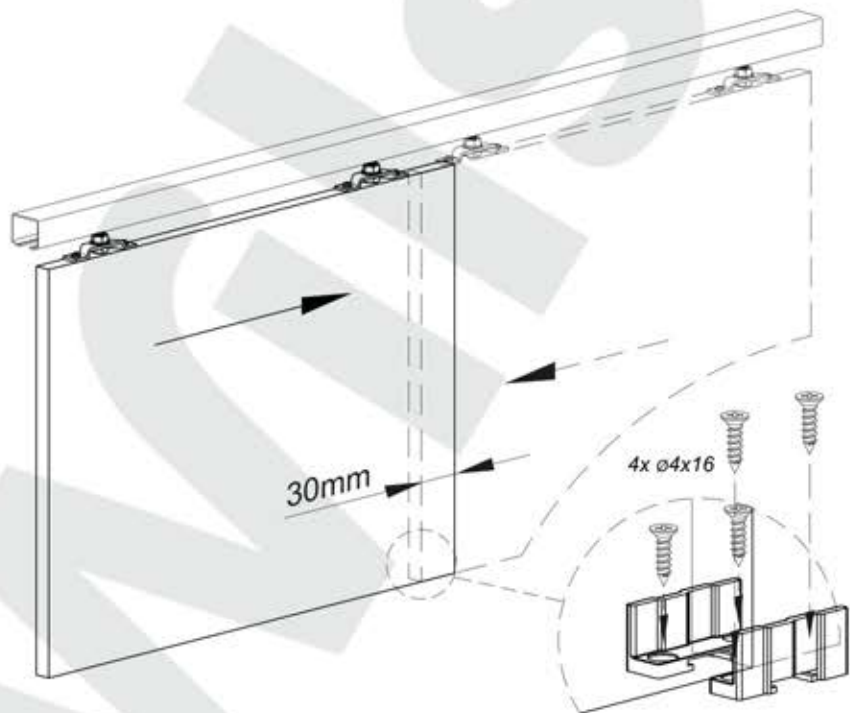
8



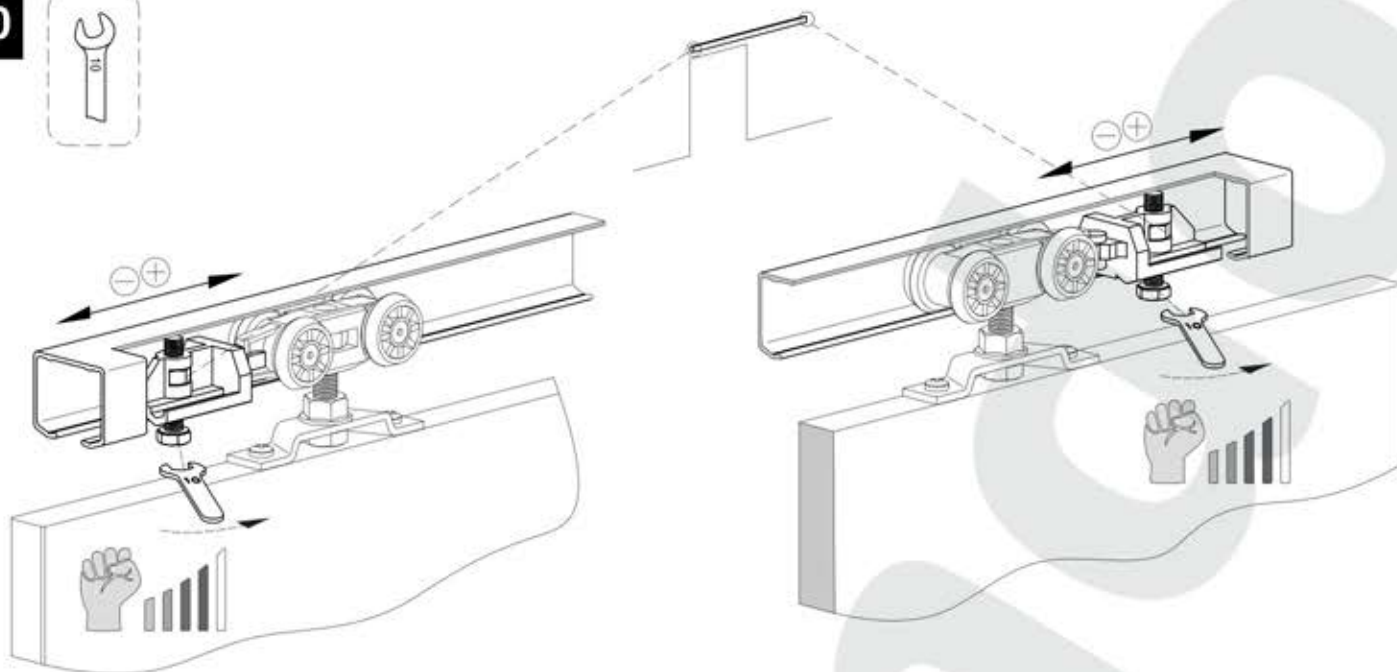
x2



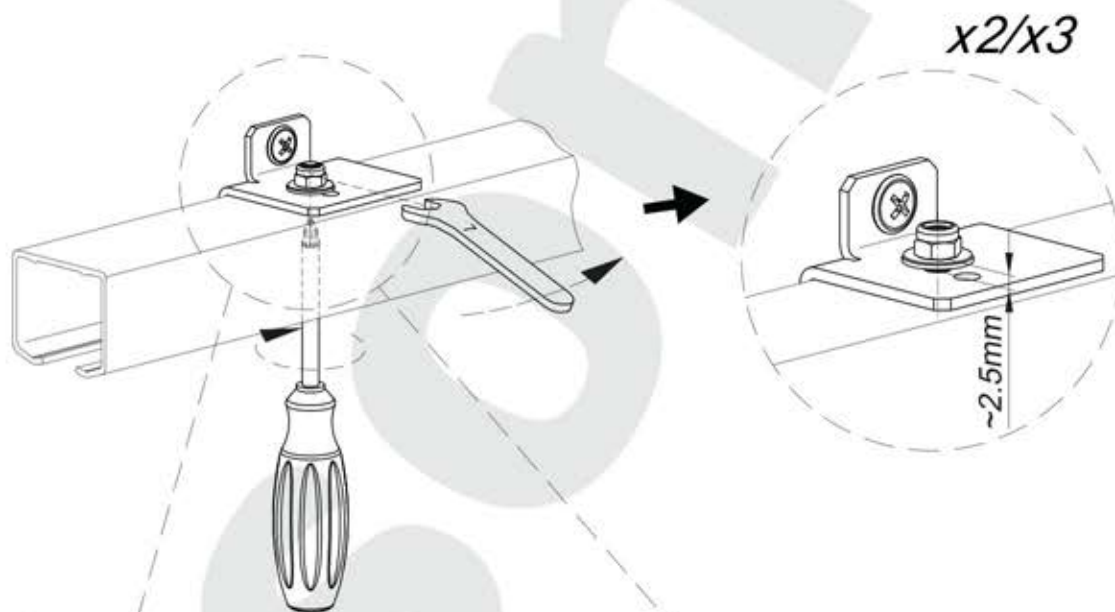
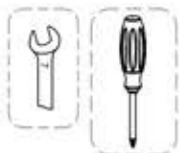
9



10



11



11a

"60"

x2



11b

"70" / "80" / "90"

x3

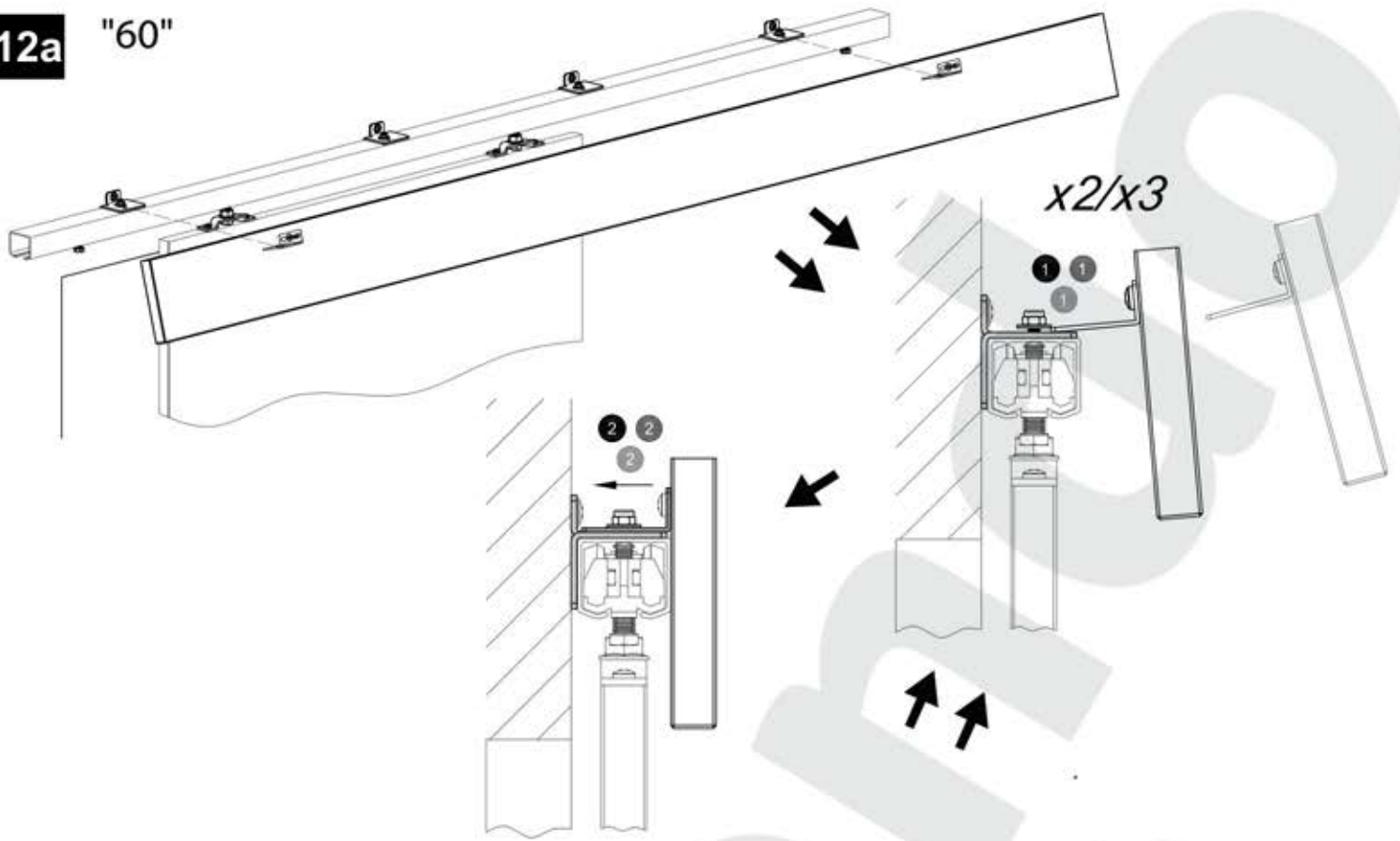


11c

"100"

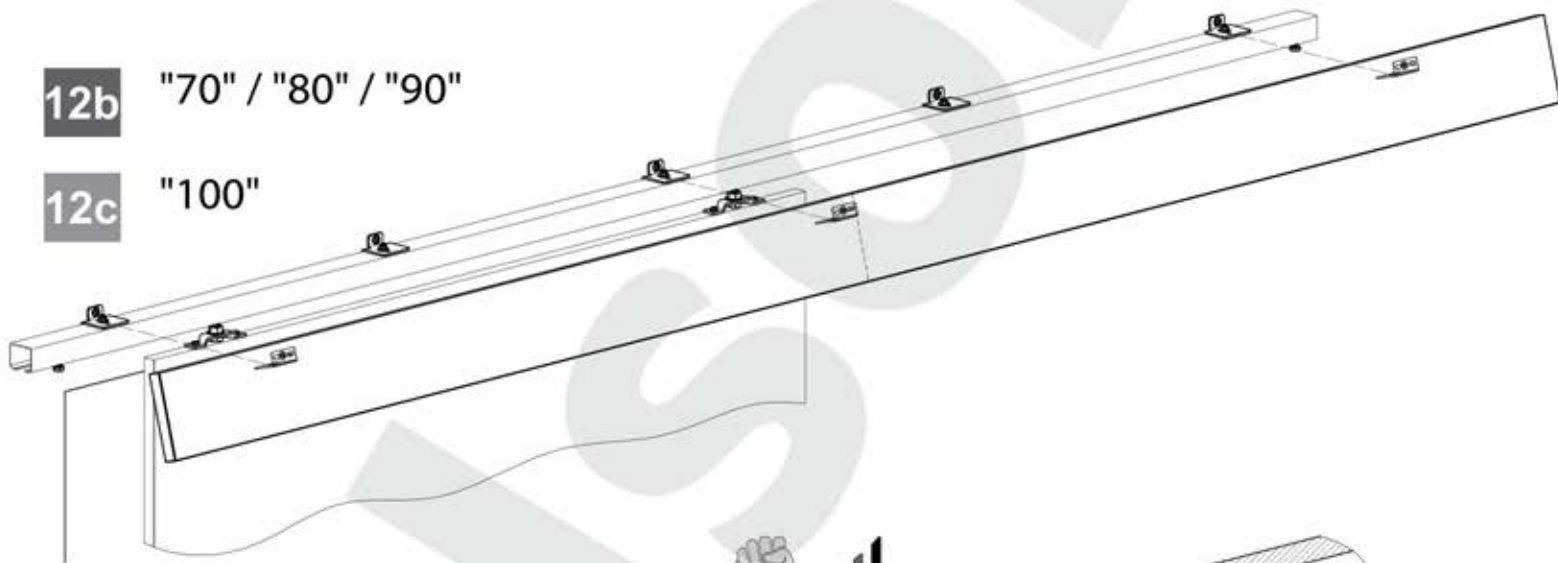


12a "60"



12b "70" / "80" / "90"

12c "100"



13



x4/x5

