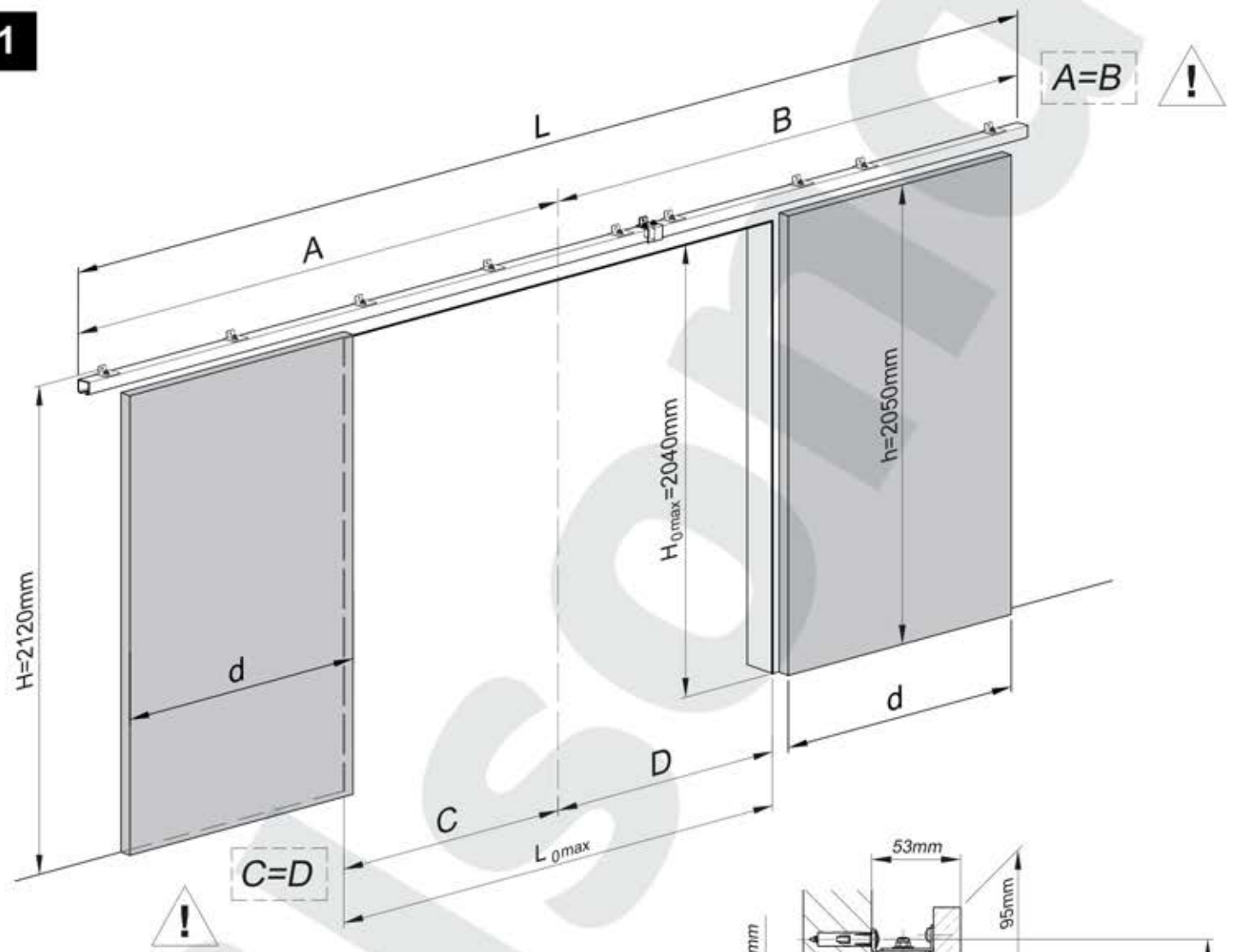
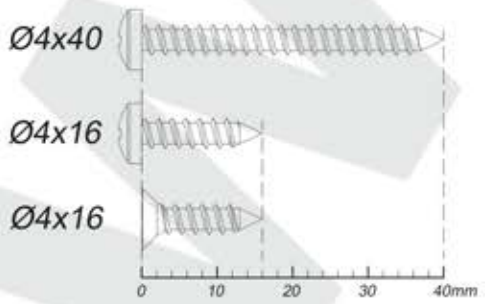
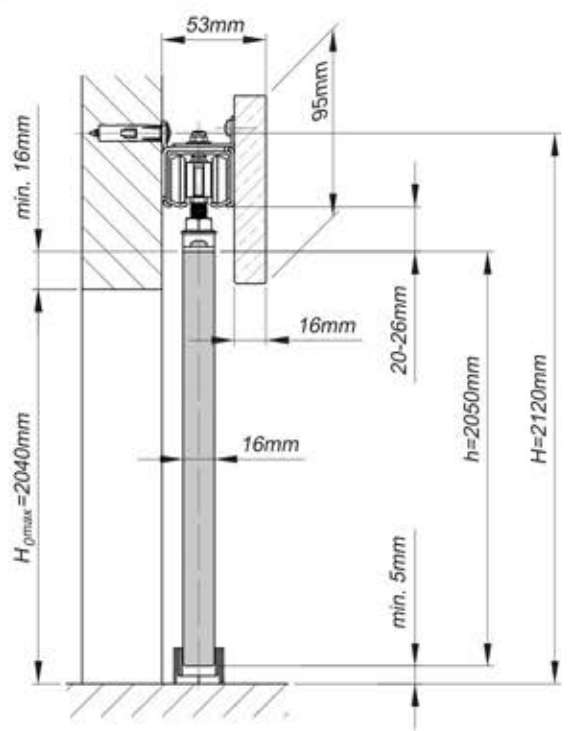


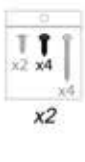
1



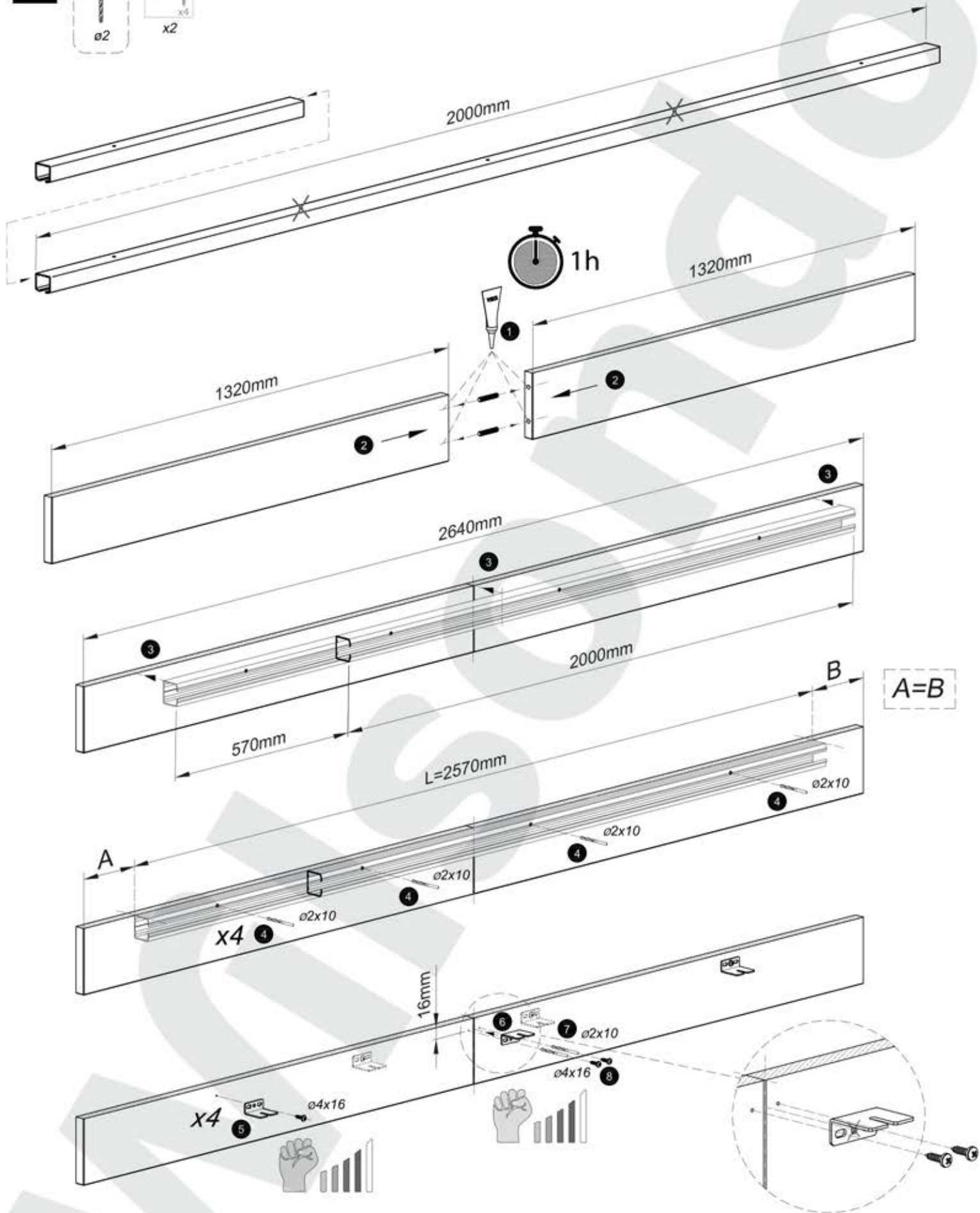
L [mm]	2570	2970	3370	4000	
d [mm] x2	660 *120*	760 *140*	860 *160*	960 *180*	1060 *200*
L _{0max} [mm]	1260	1460	1660	1860	2060



2a

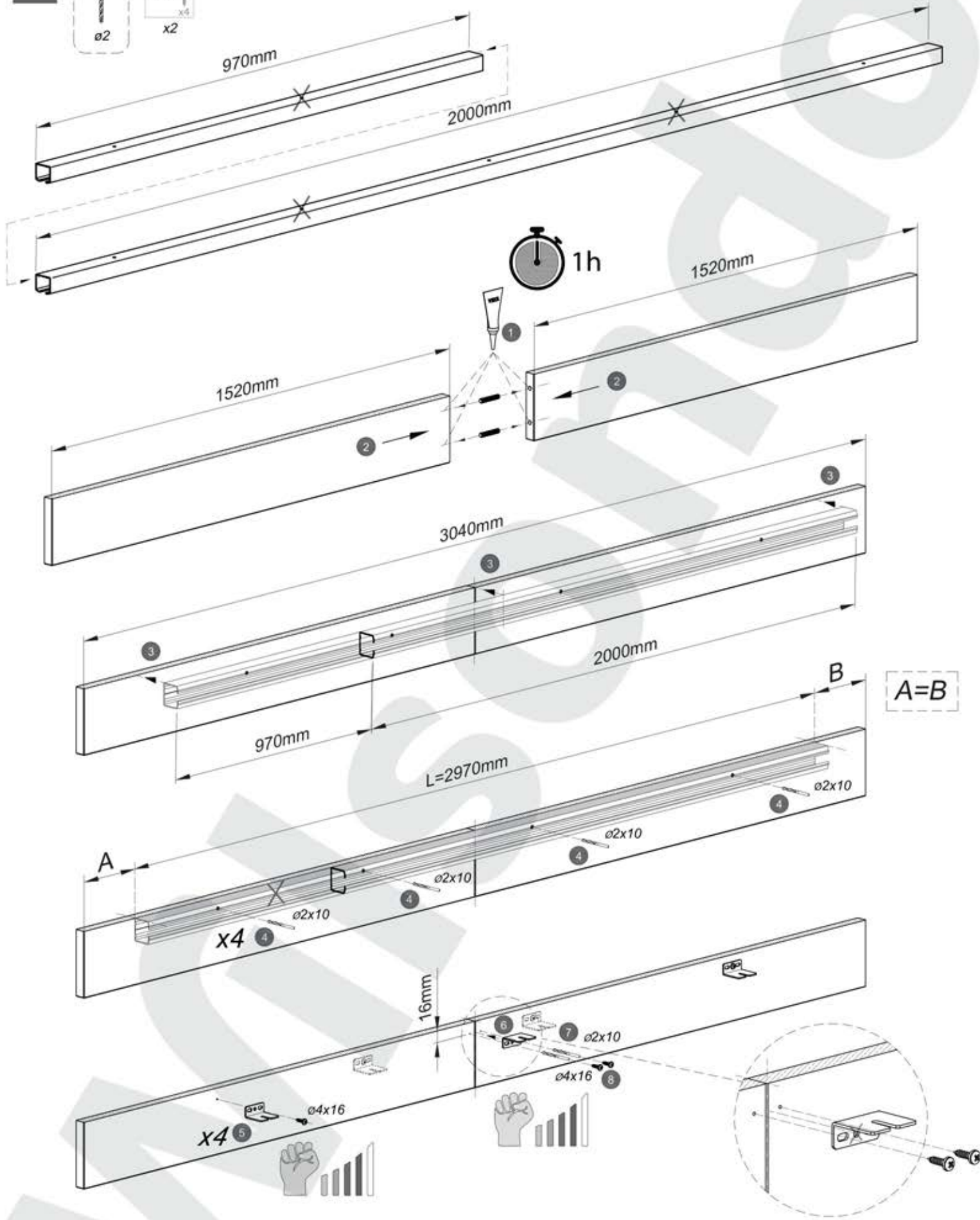
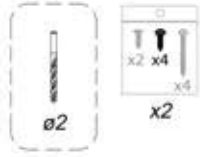


"120"



2b

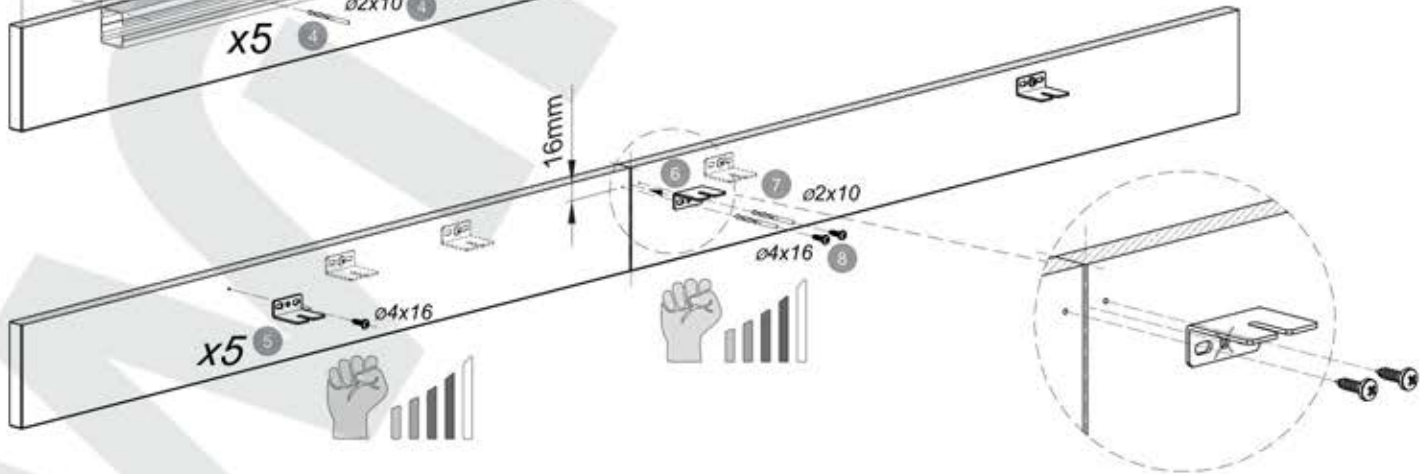
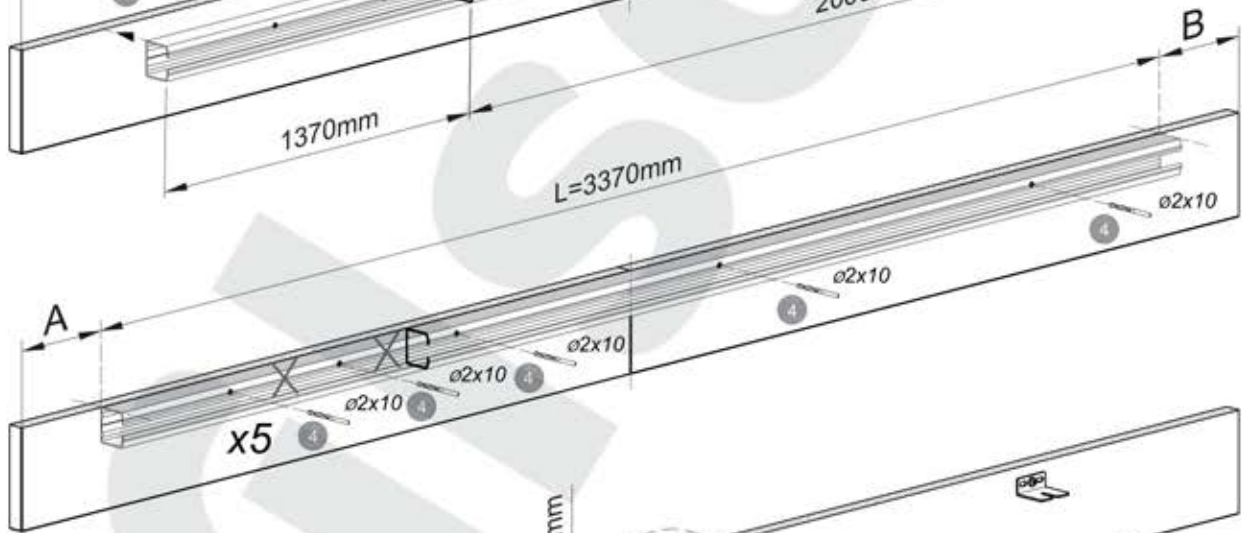
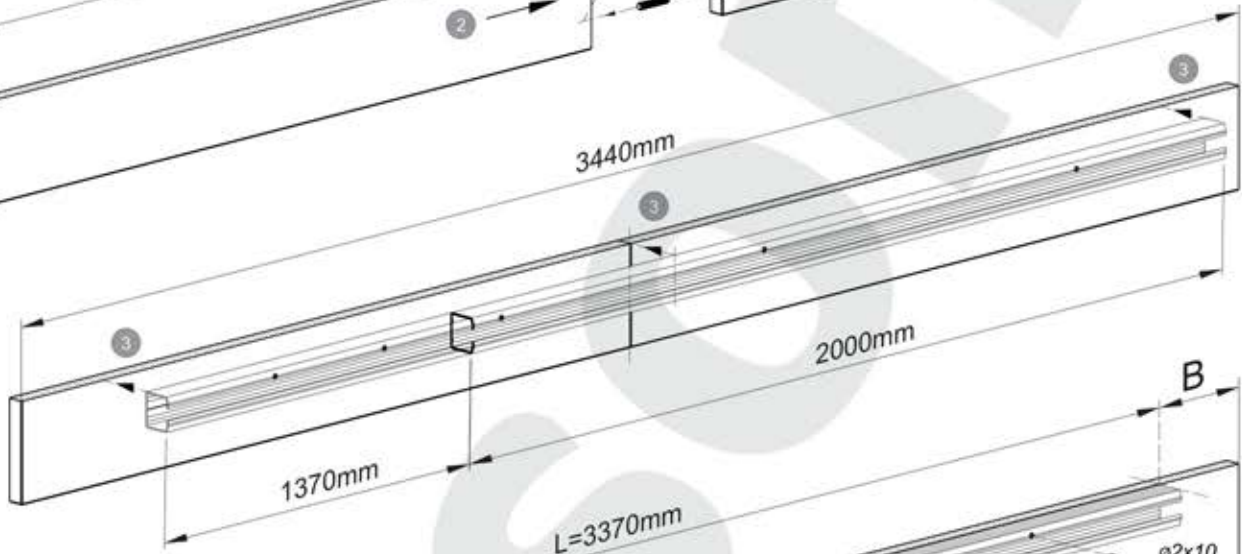
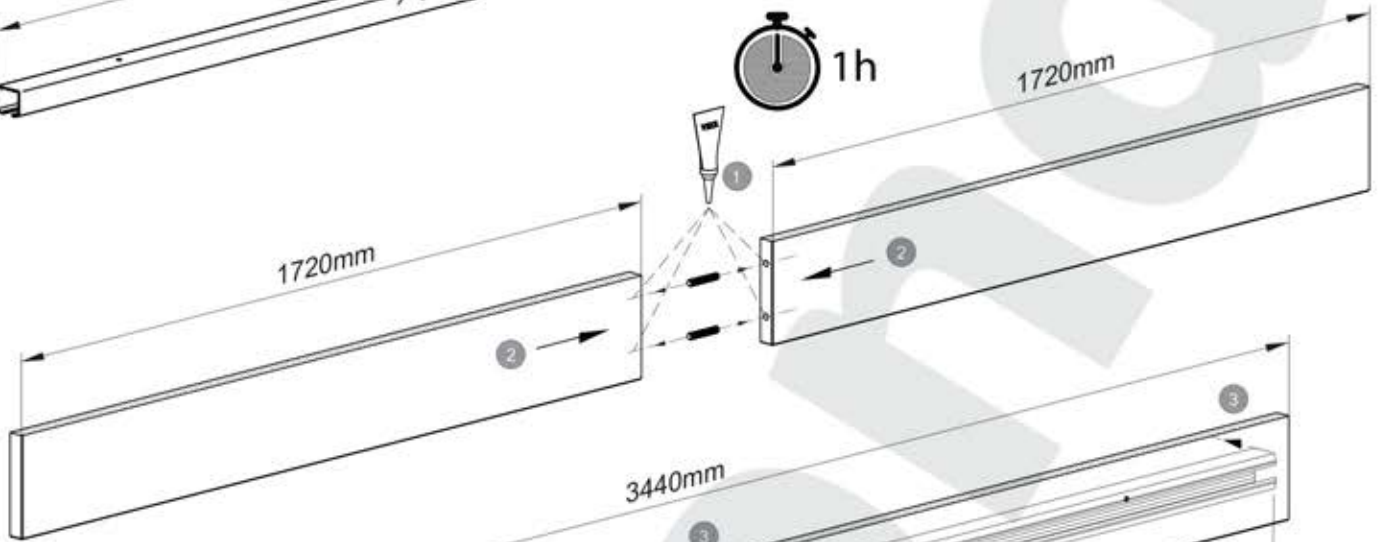
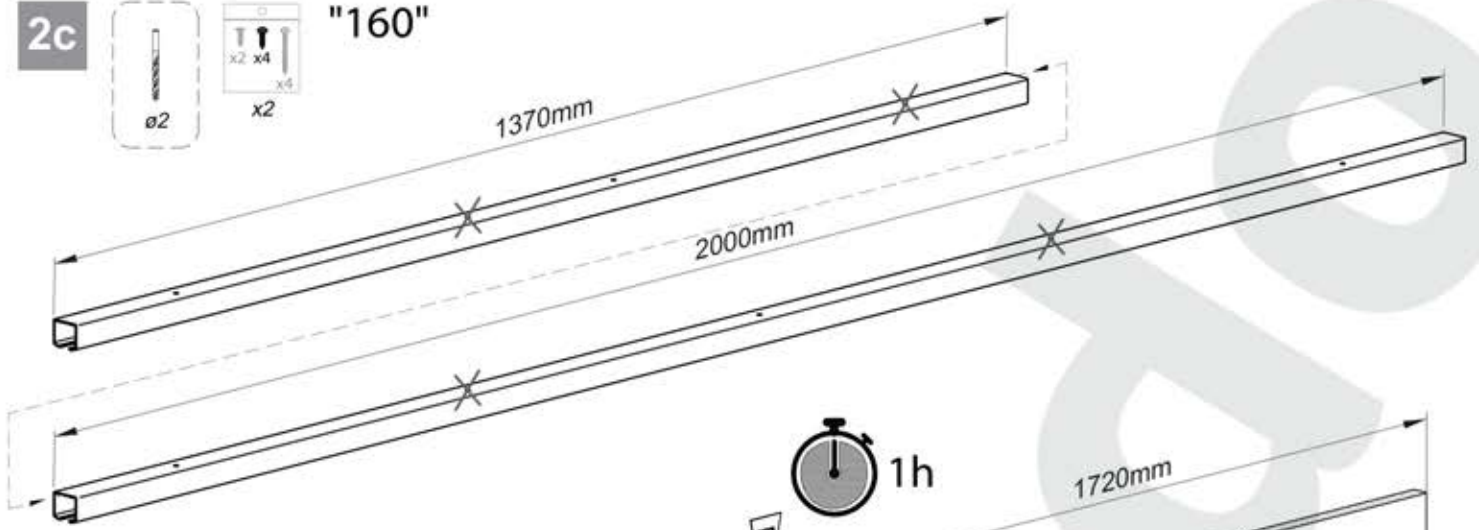
"140"



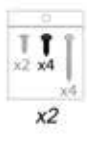
2c



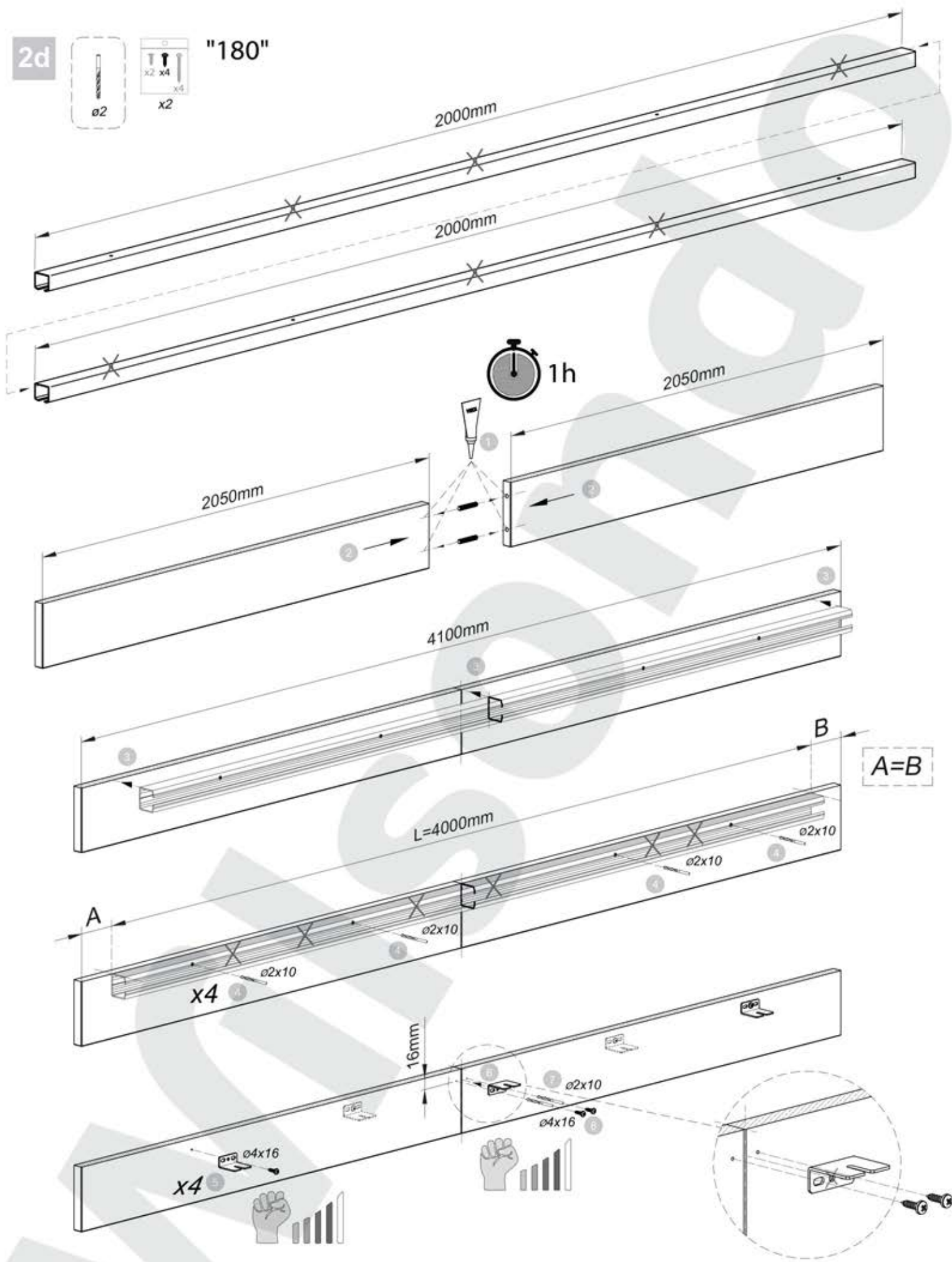
"160"



2d



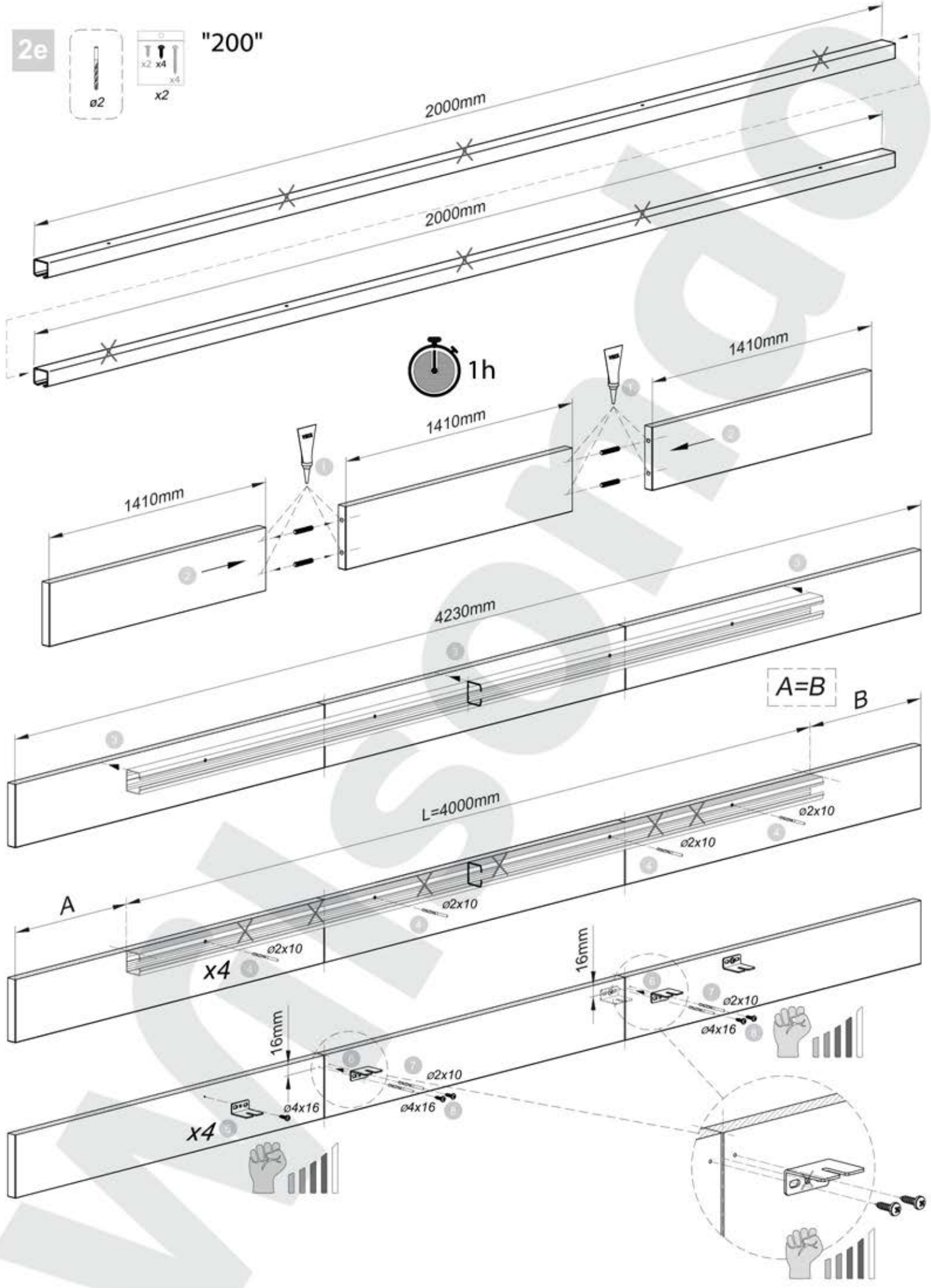
"180"



2e



"200"



3a

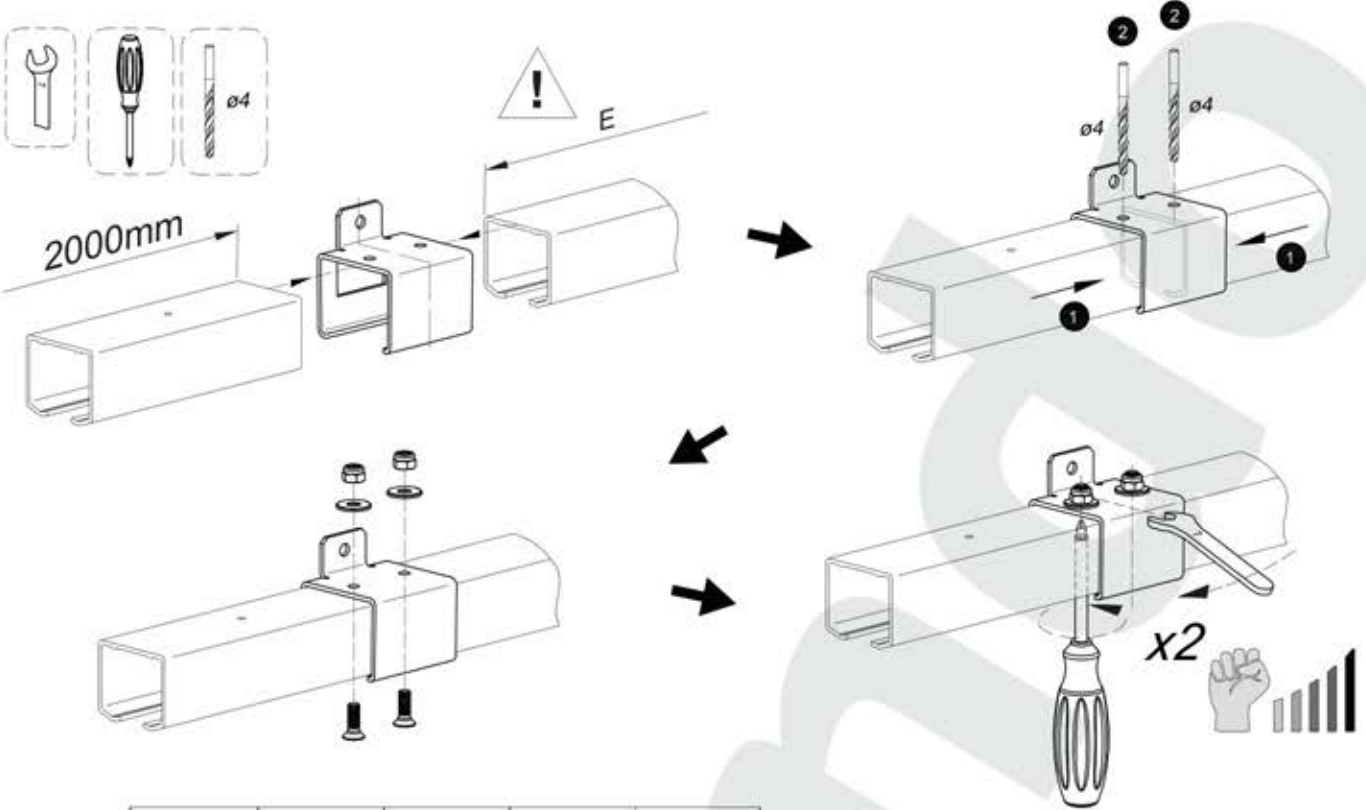


3b

3c

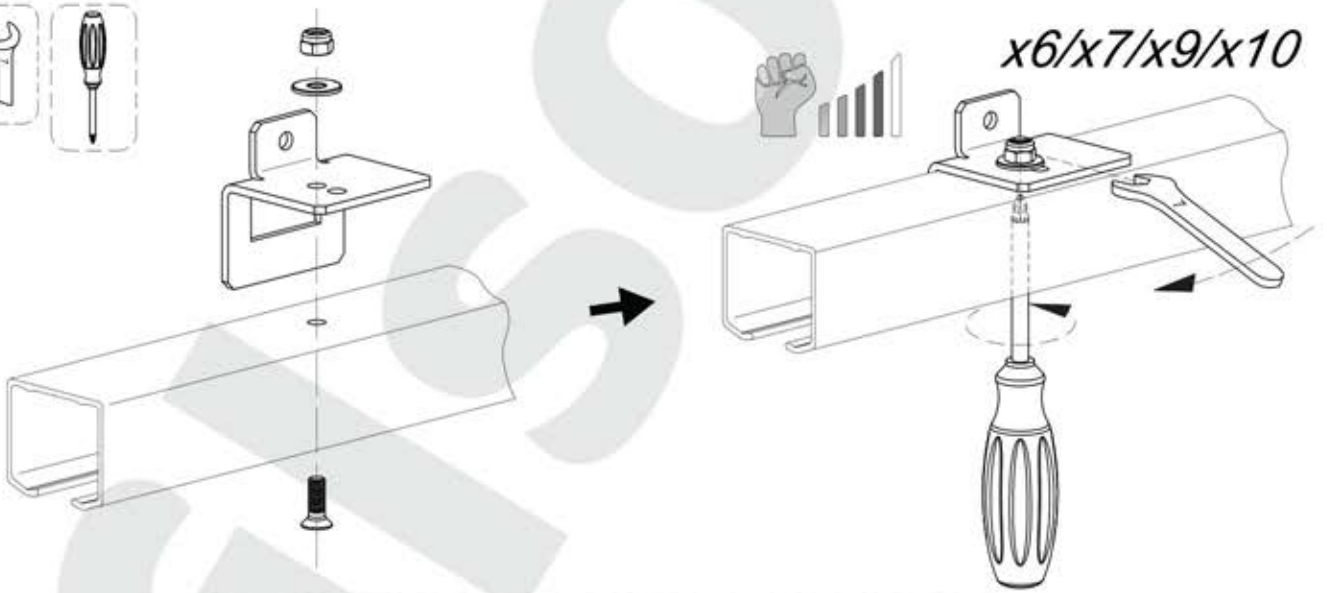
3d

3e

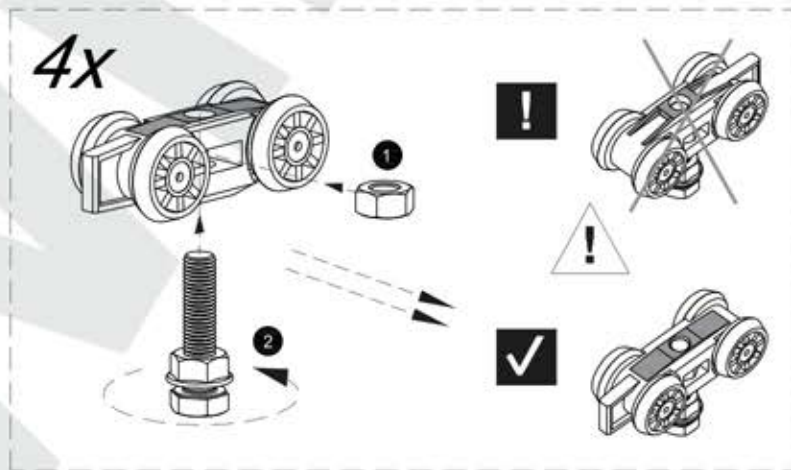


	"120"	"140"	"160"	"180"	"200"
E [mm]	570	970	1370	1770	2000

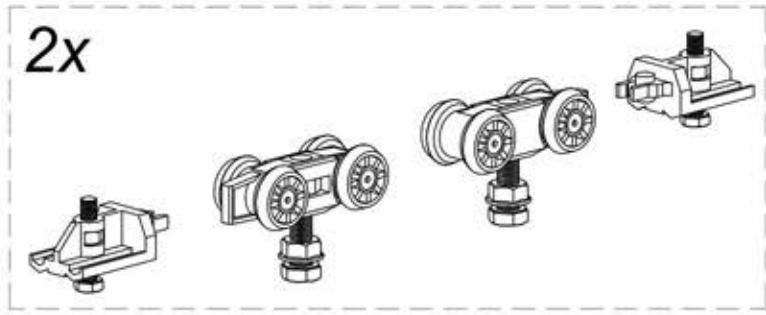
4



5



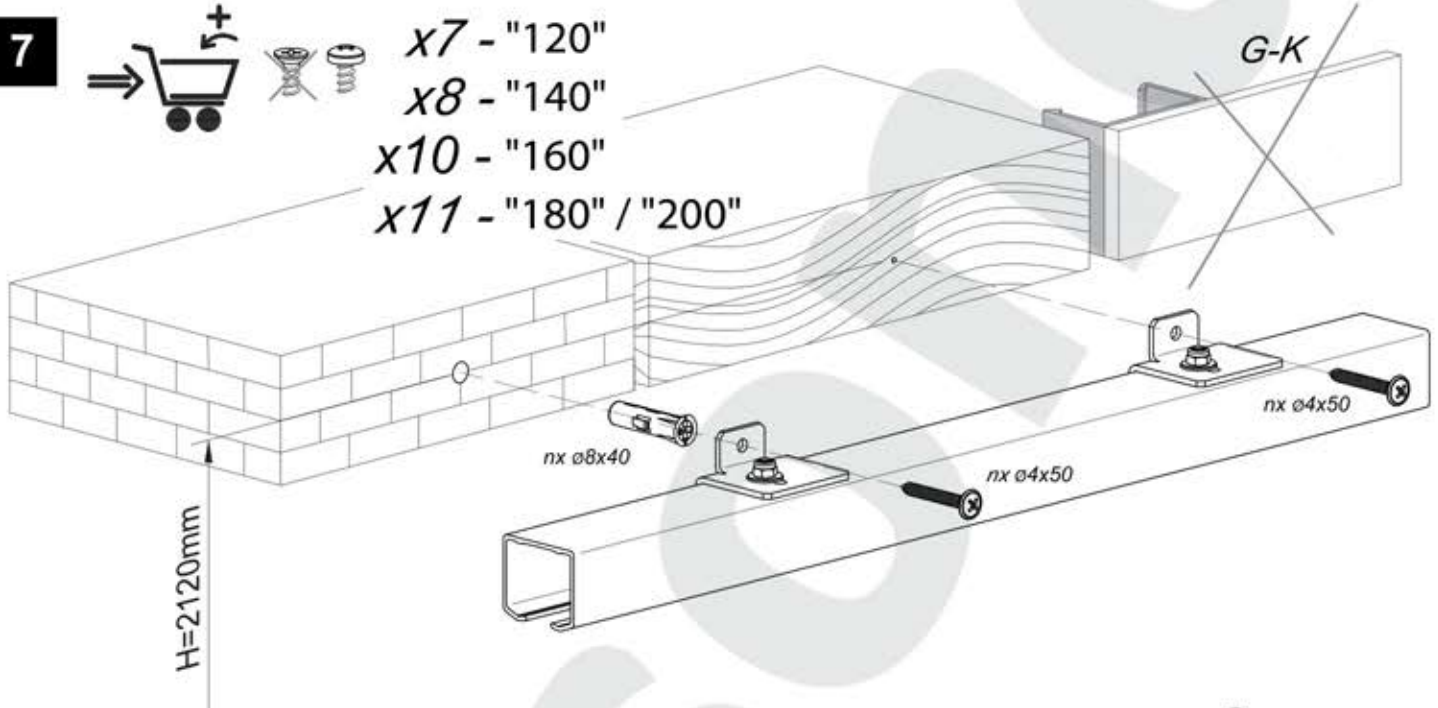
6



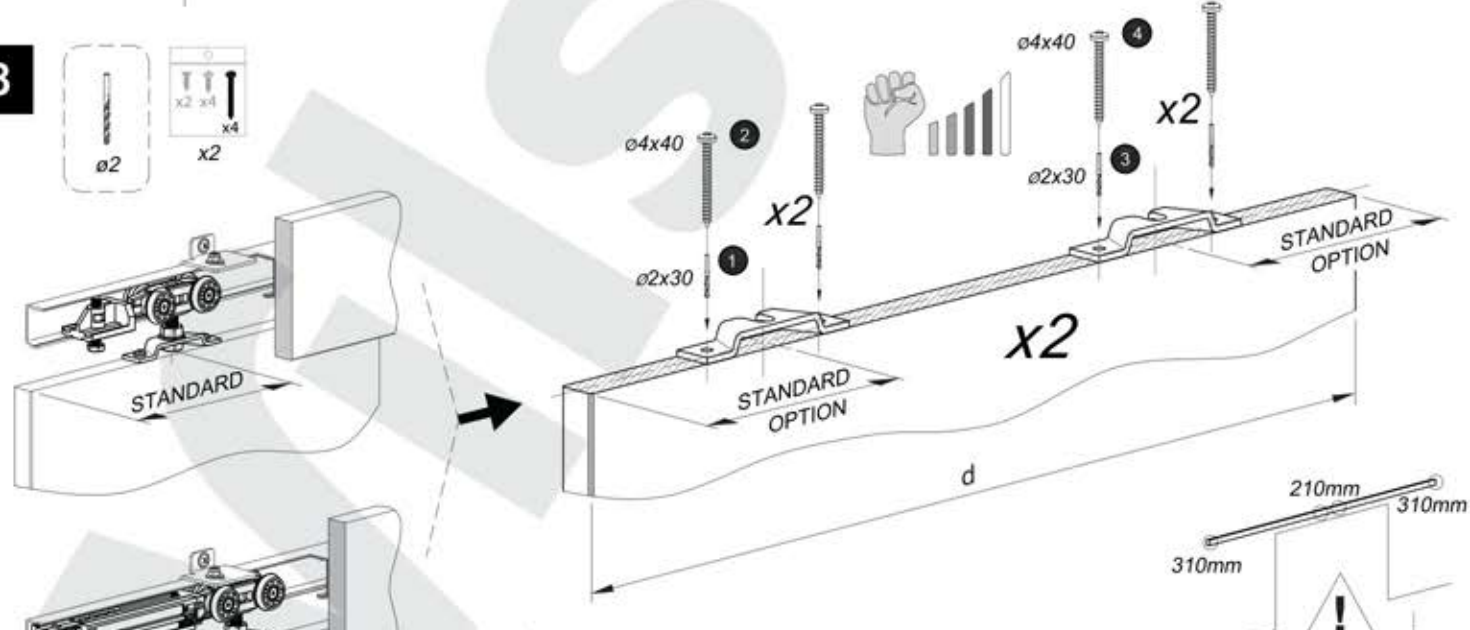
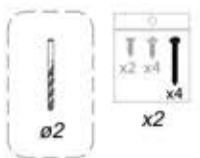
7



- x7 - "120"
- x8 - "140"
- x10 - "160"
- x11 - "180" / "200"



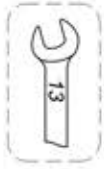
8



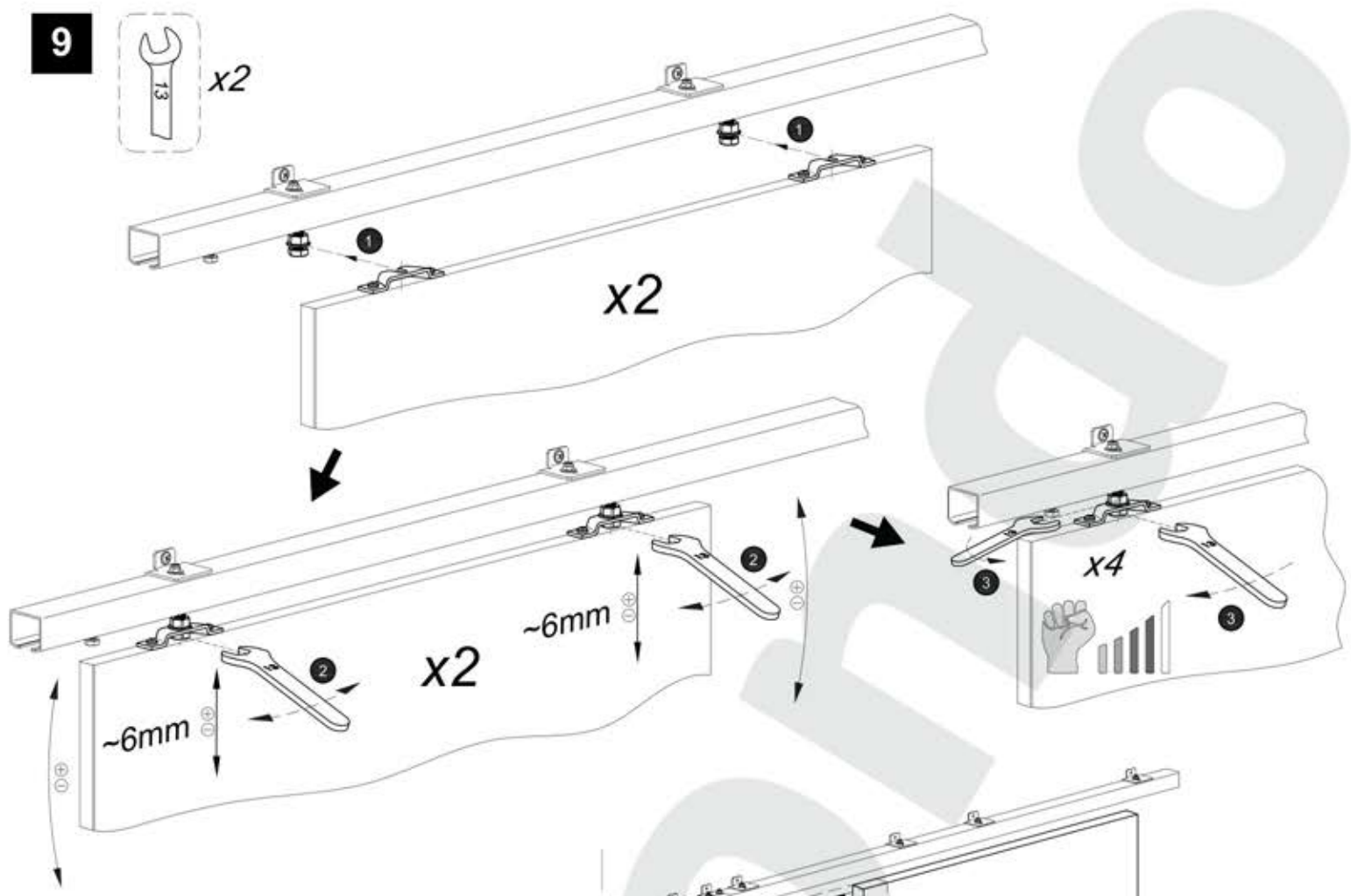
	d [mm]	660 "120"	760 "140"	860 "160"	960 "180"	1060 "200"
STANDARD [mm]			100			160
OPTION [mm]			180			210/310



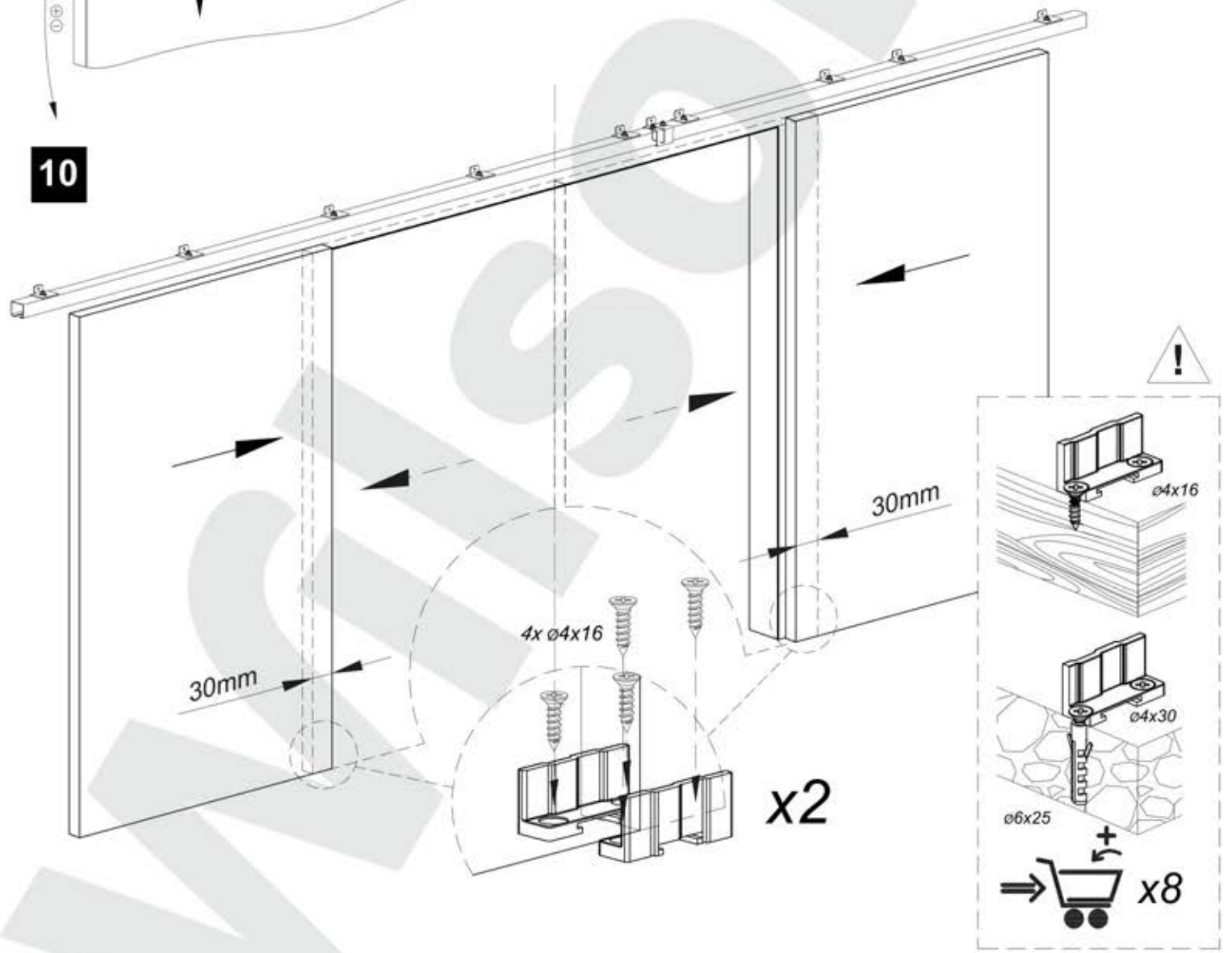
9

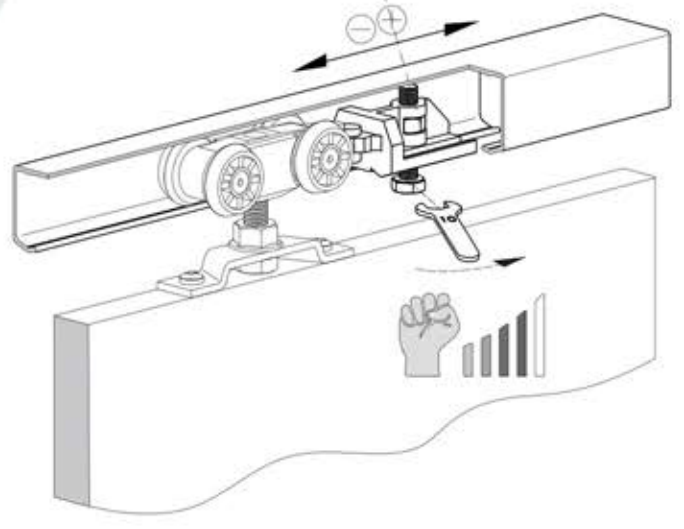
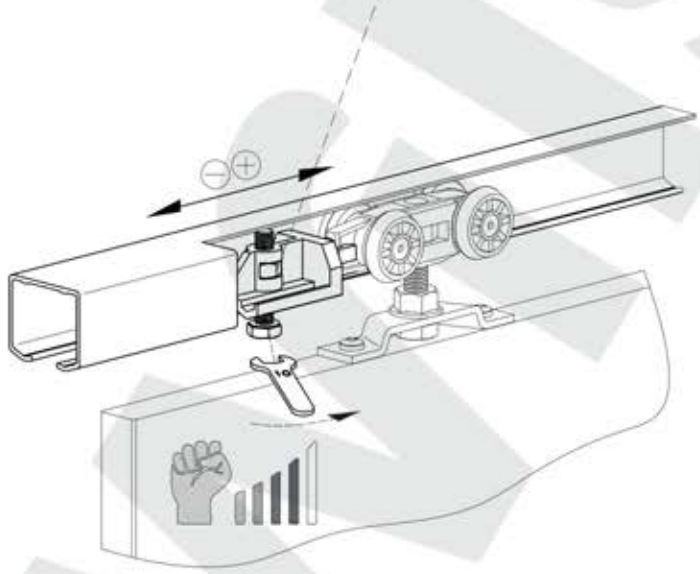
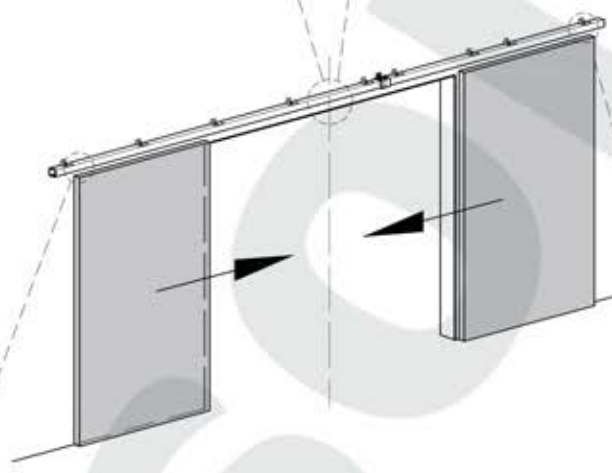
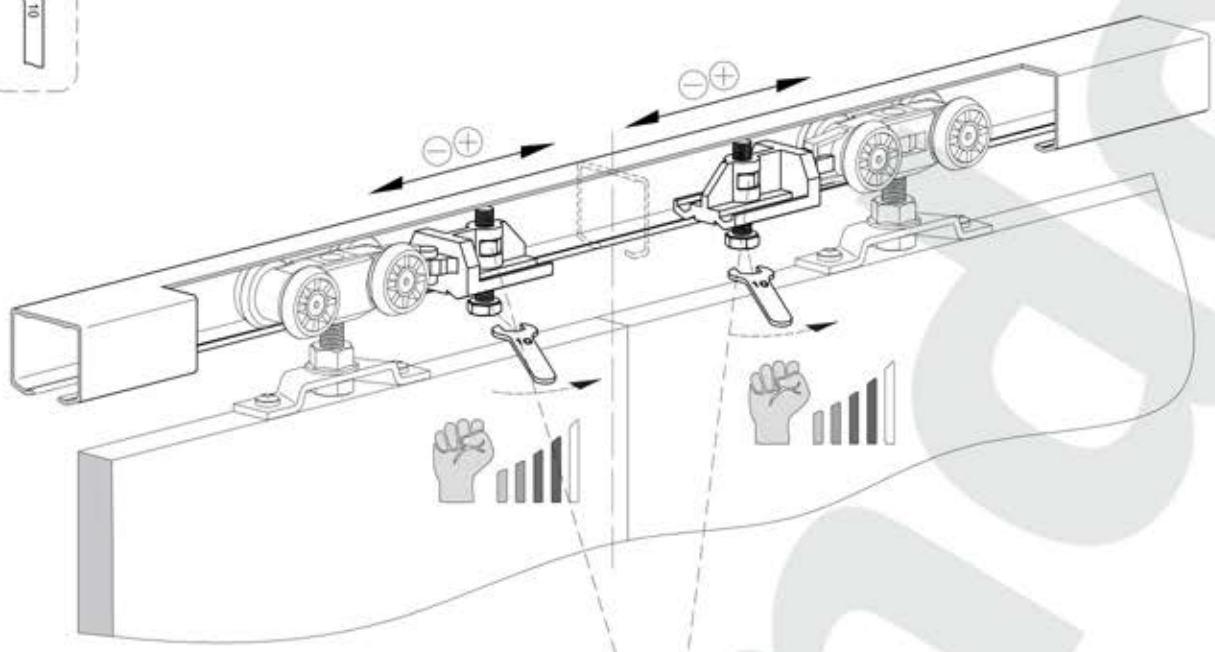


x2

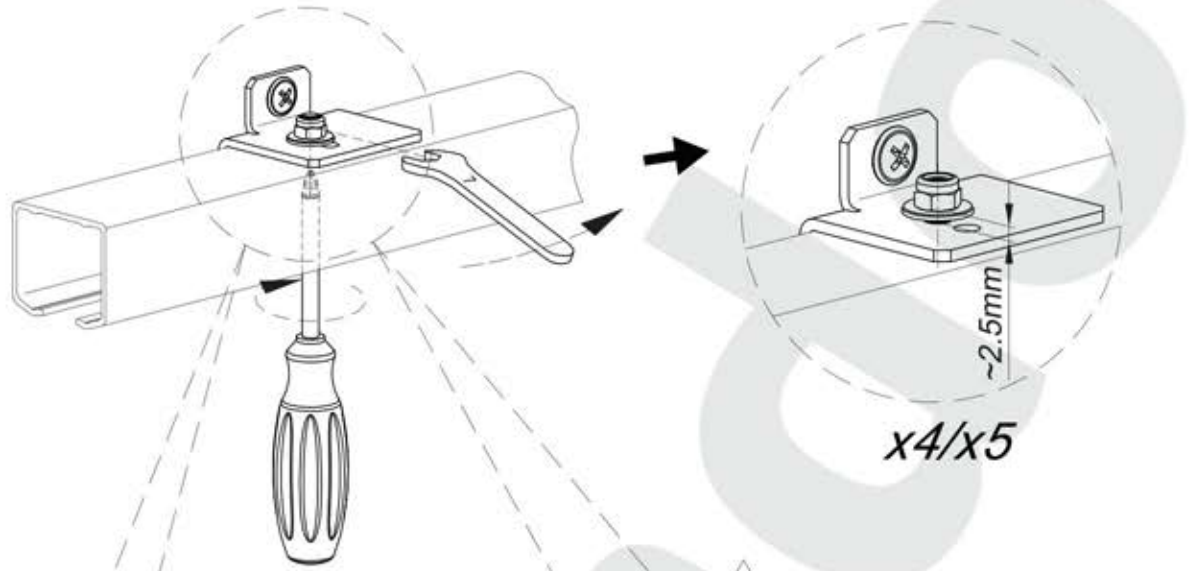


10





12



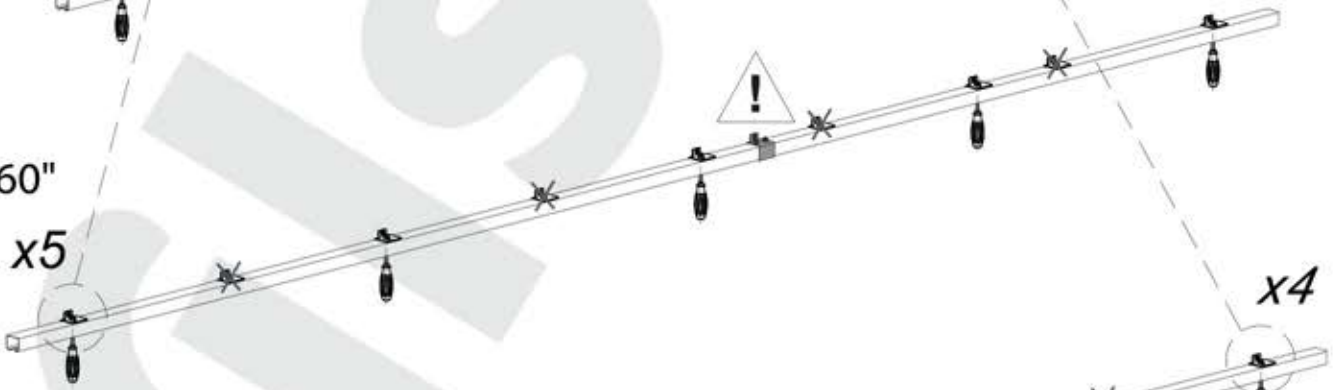
12a "120"



12b "140"



12c "160"



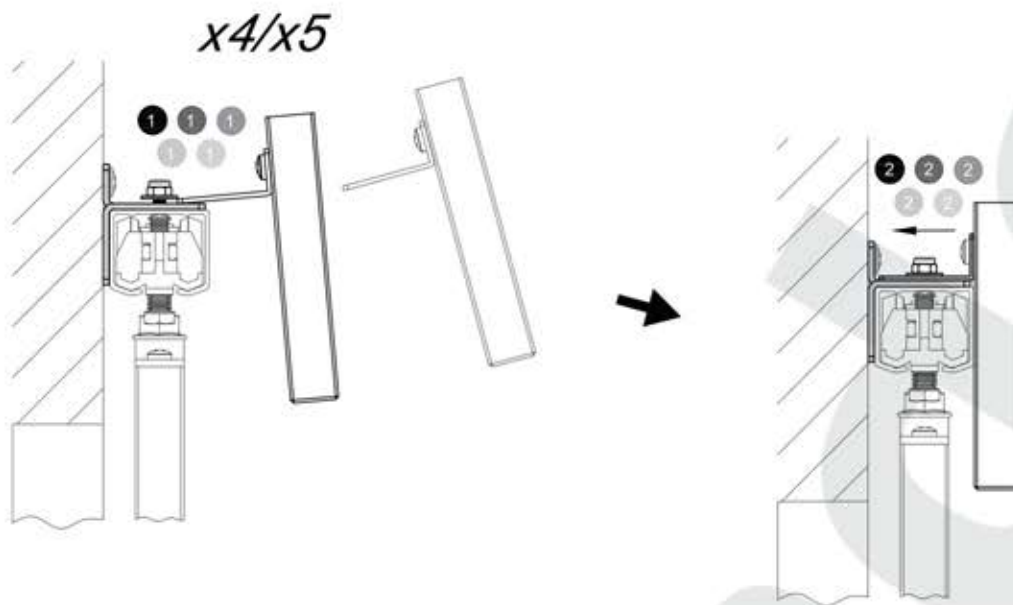
12d "180"



12e "200"



13



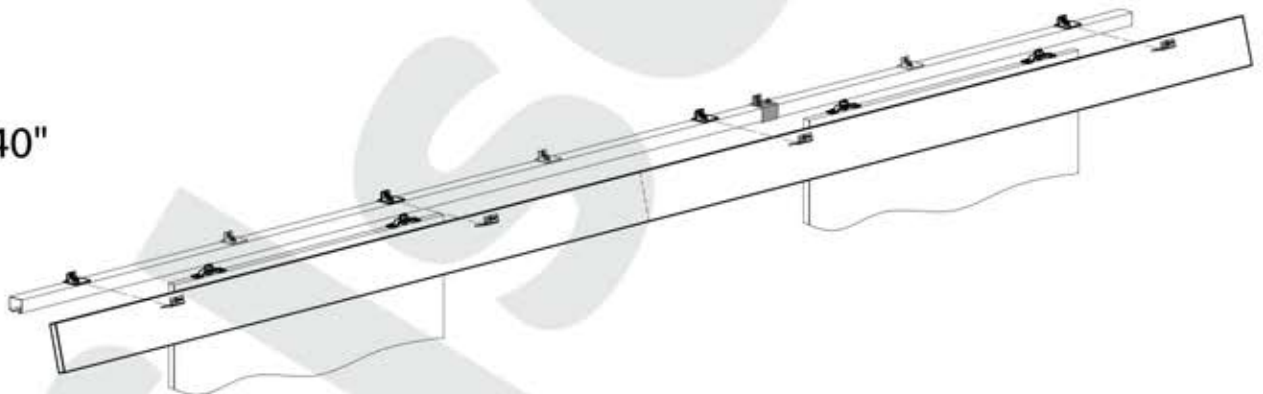
13a

"120"



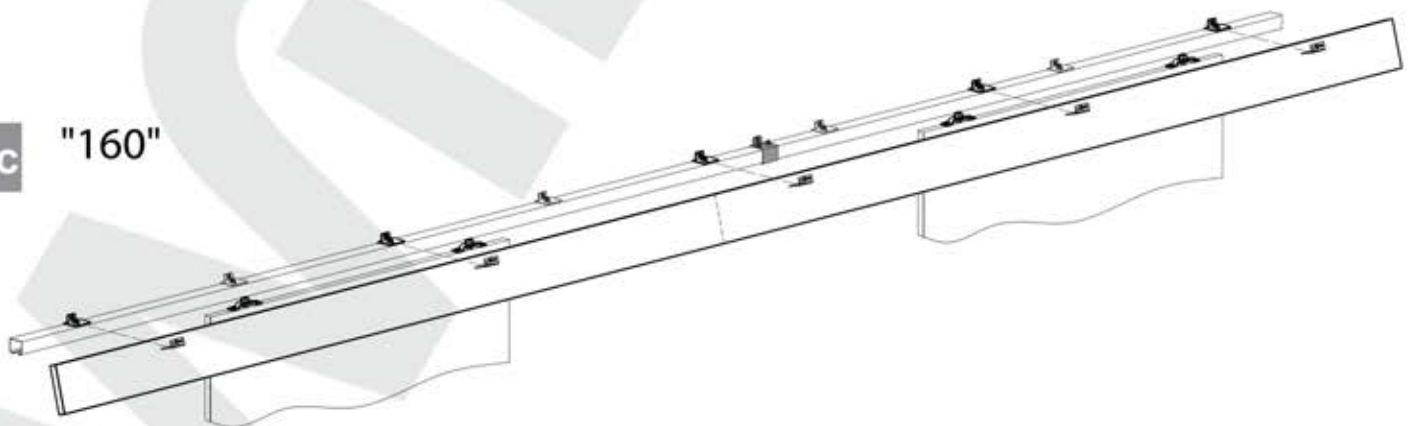
13b

"140"

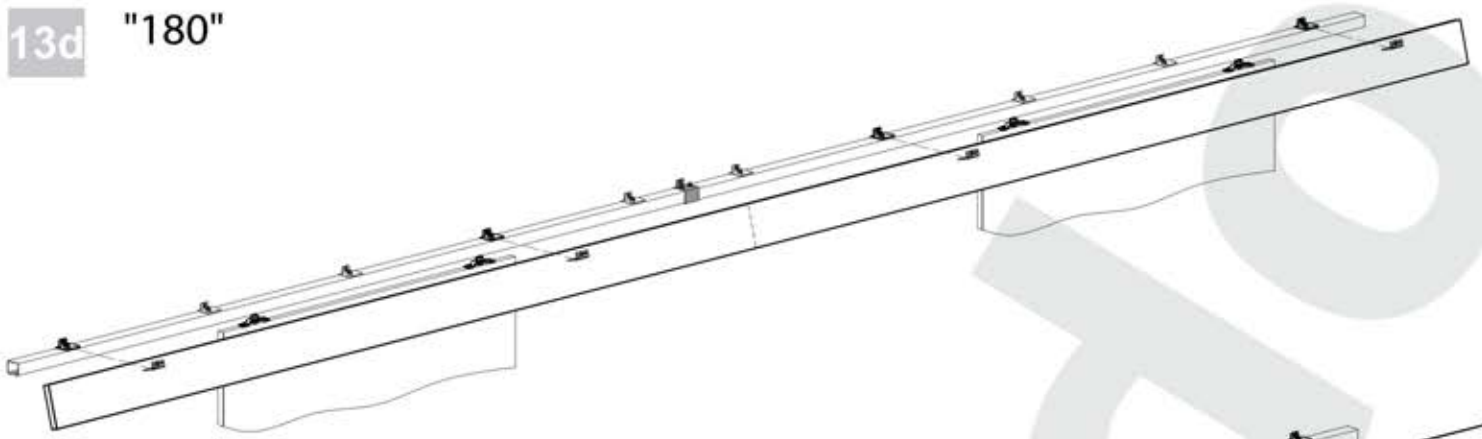


13c

"160"



13d "180"



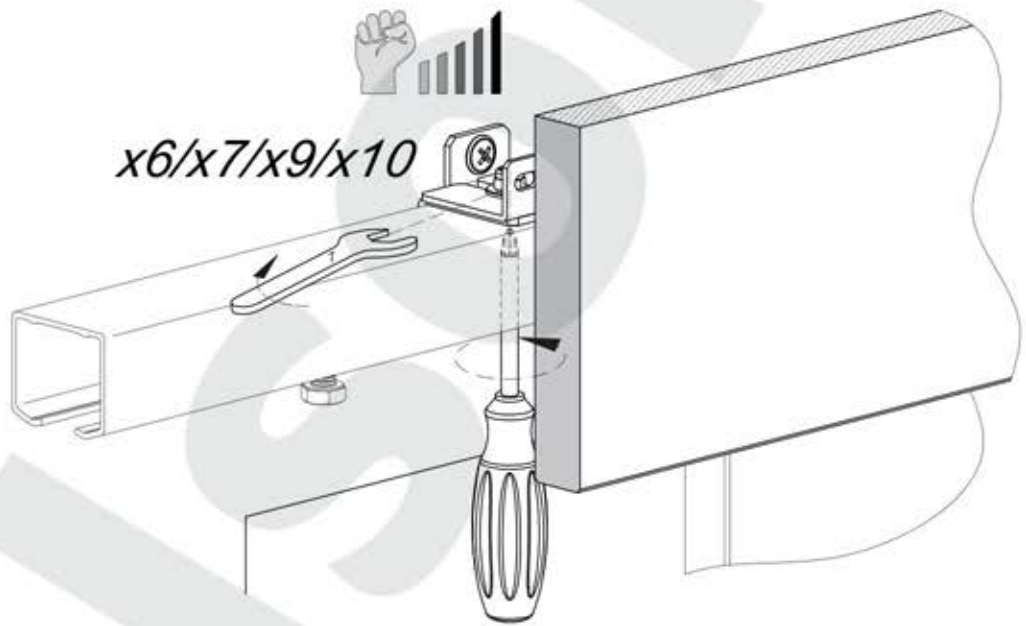
13e "200"



14



x6/x7/x9/x10



15

