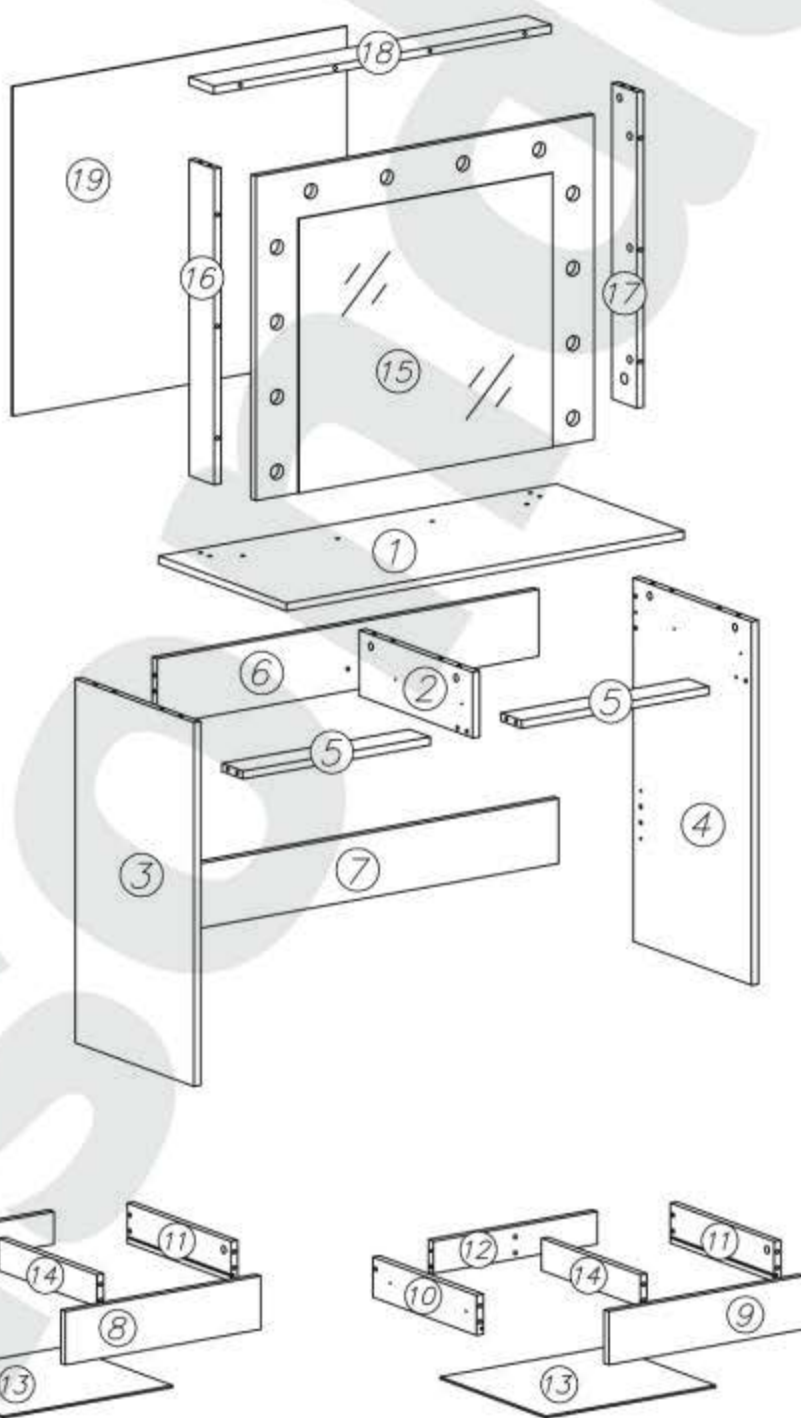
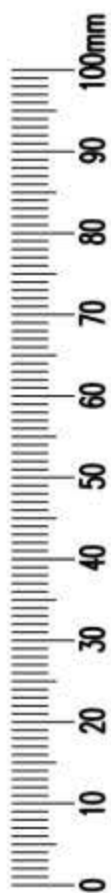
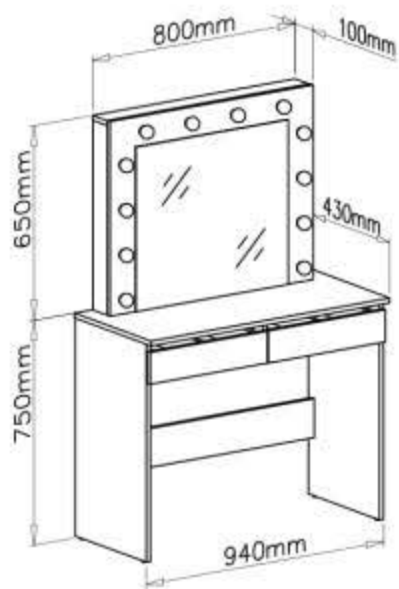











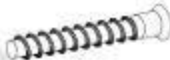



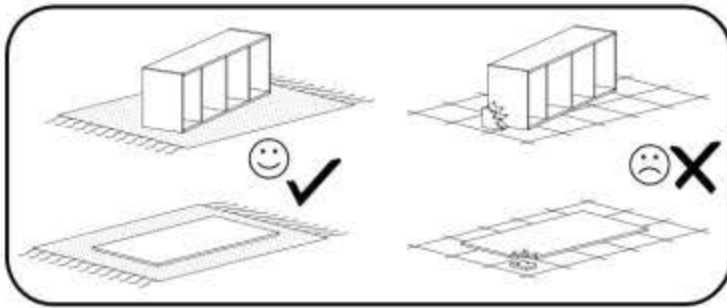


# HOLLYWOOD

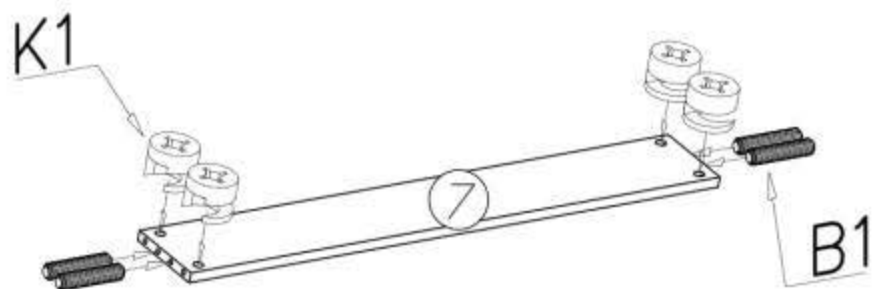
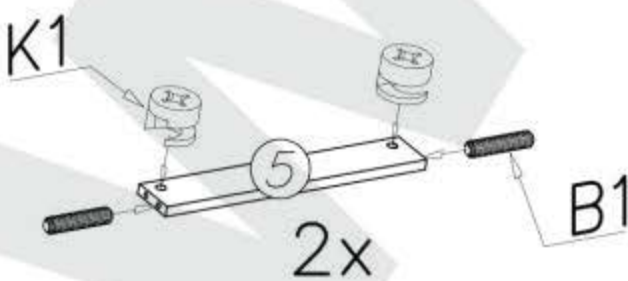
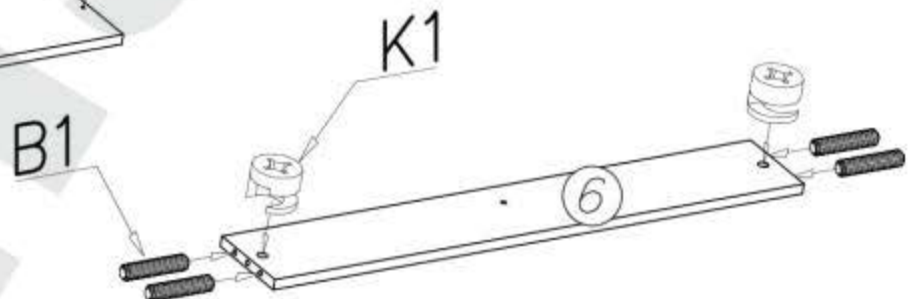
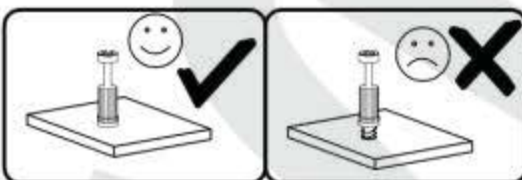
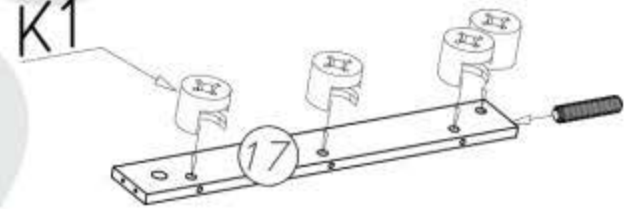
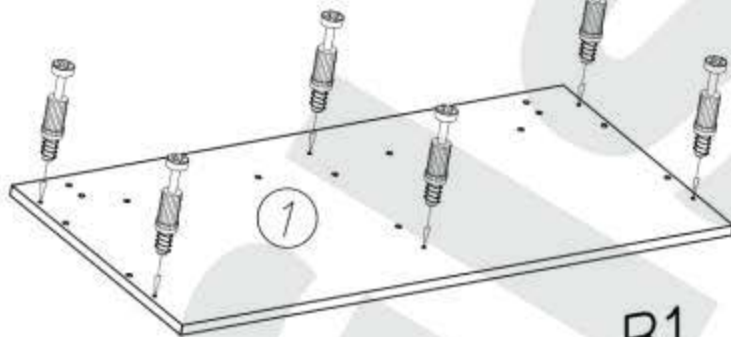
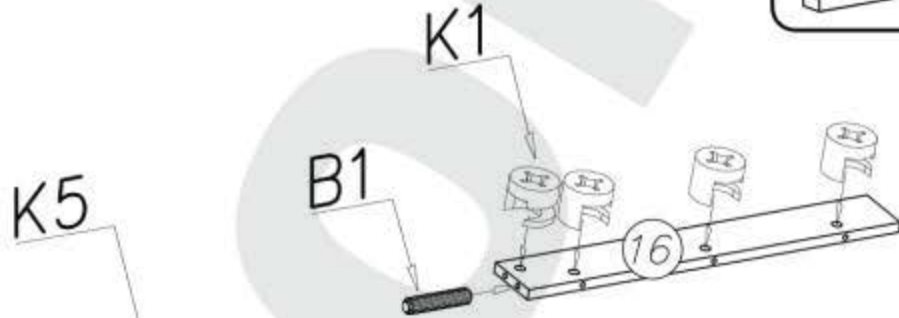
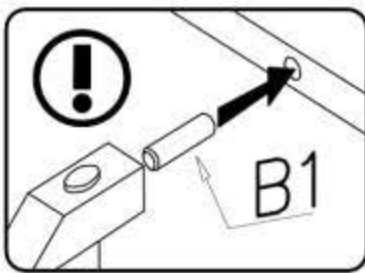
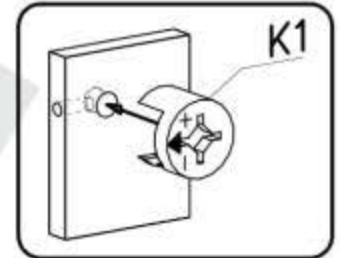
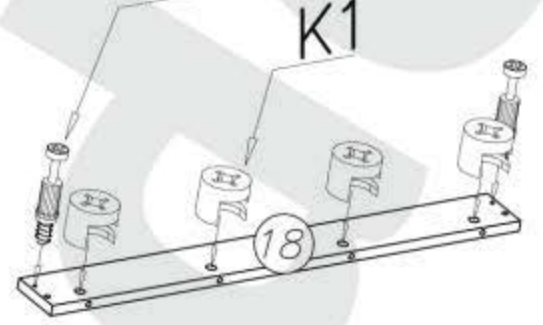
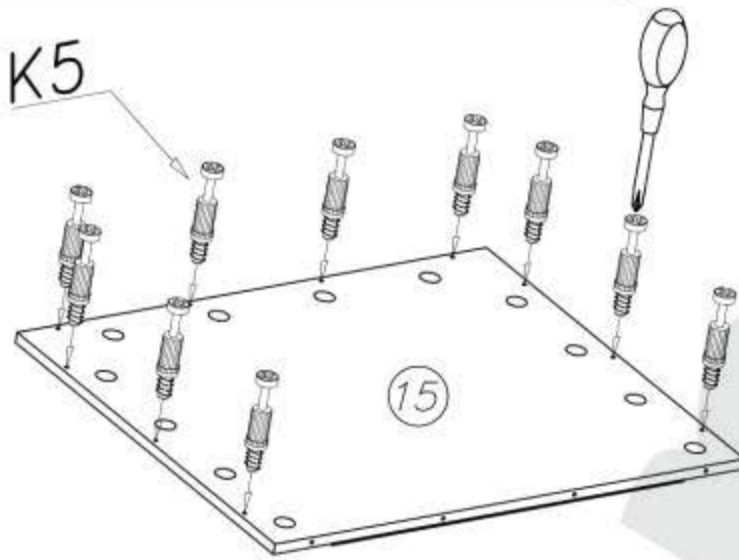
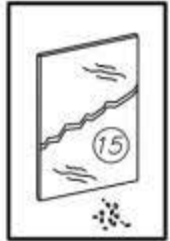


<b>K6</b>  1x	<b>H23</b>  2x	<b>G22</b>  3x16 26x	<b>B1</b>  ø8x30 36x	<b>W10</b>  1x
<b>W2</b>  1x	<b>H30-350mm</b>  2x	<b>W4</b>  ø1,4x20 14x	<b>I7</b>  ø18 14x	 1x
<b>K1</b>  ø15x12 32x	<b>A1</b>  ø7x50 13x	<b>K5</b>  30x	<b>P4</b>  4x	 x12 1x

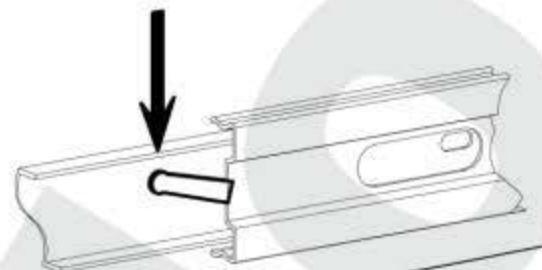
1



B1 ∅8x30 14x	K1 ∅15x12 22x
	K5 18x



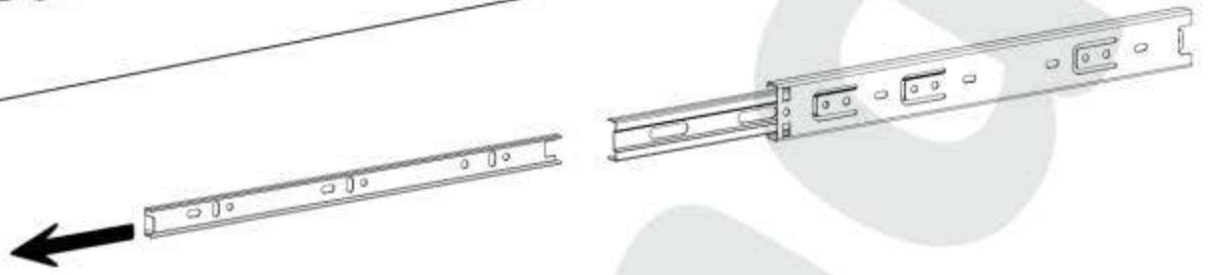
(A)



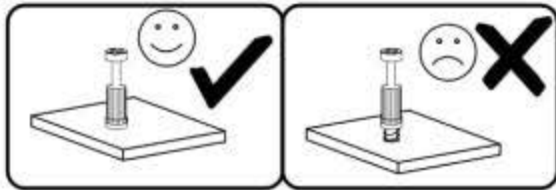
(B)



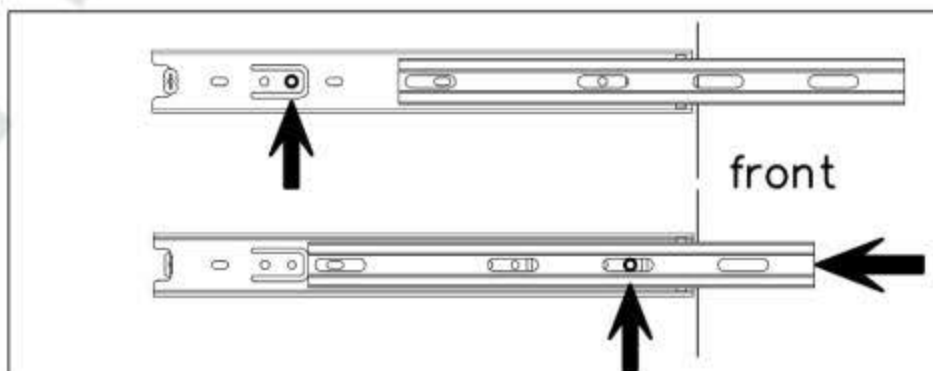
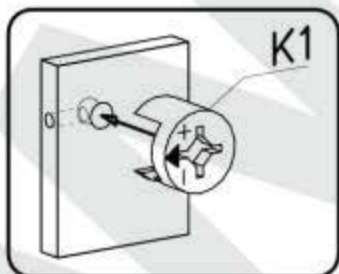
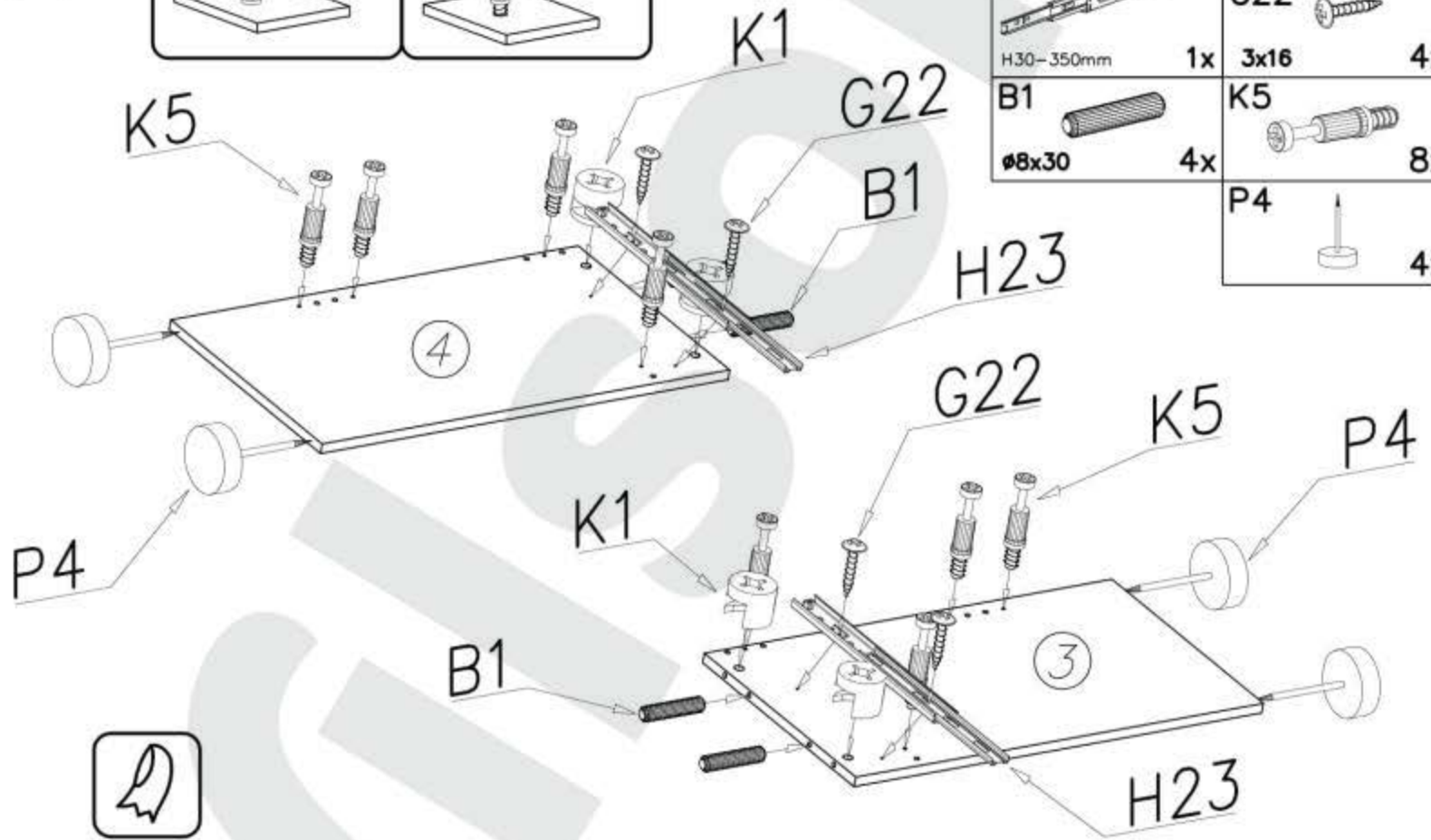
(C)



2

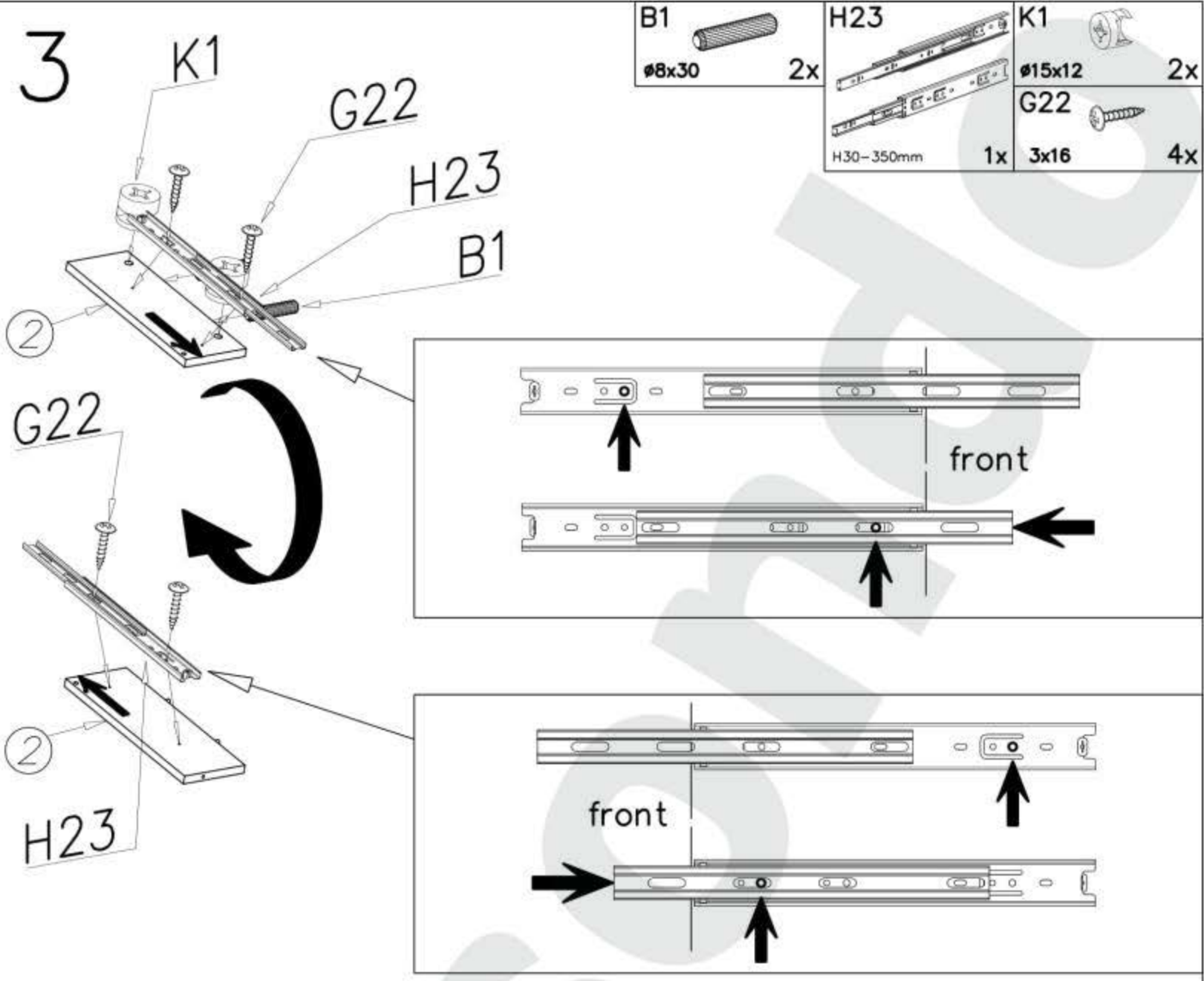


<b>H23</b>  H30-350mm 1x	<b>K1</b>  Ø15x12 4x
<b>B1</b>  Ø8x30 4x	<b>G22</b>  3x16 4x
	<b>K5</b>  8x
	<b>P4</b>  4x

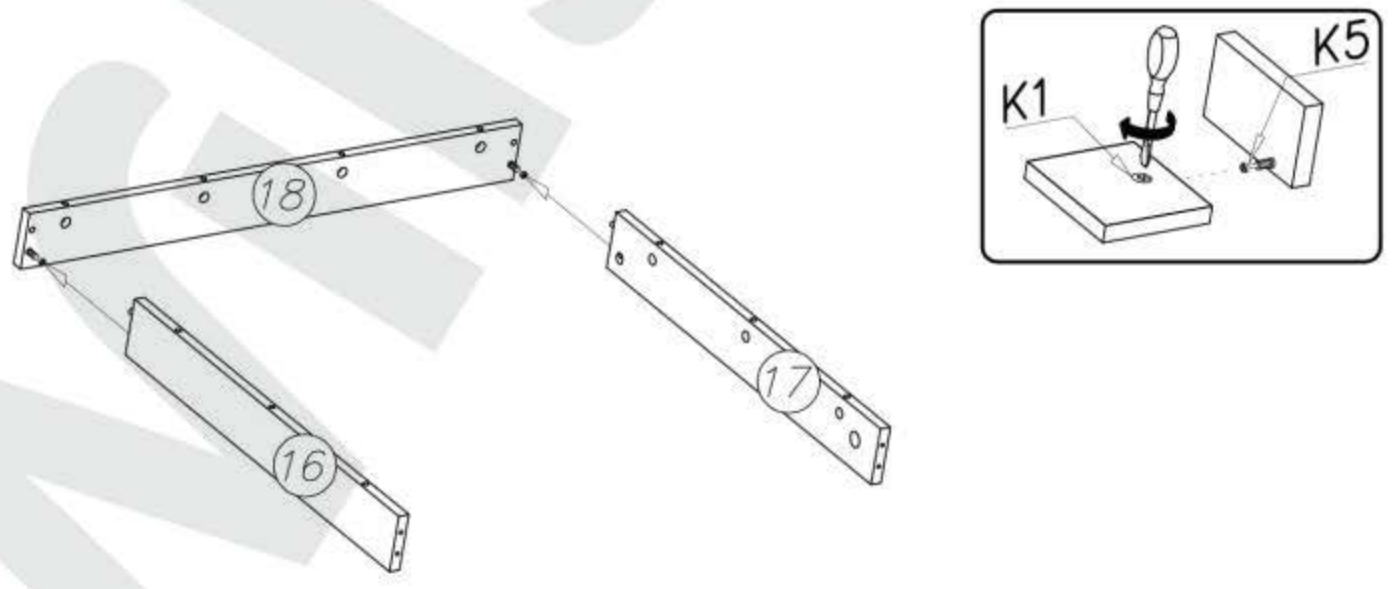




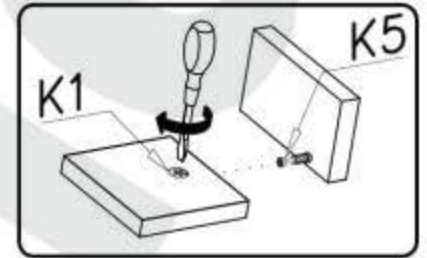
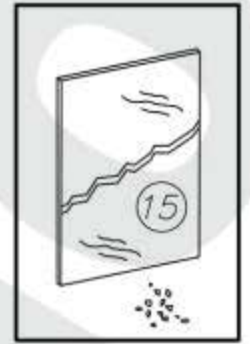
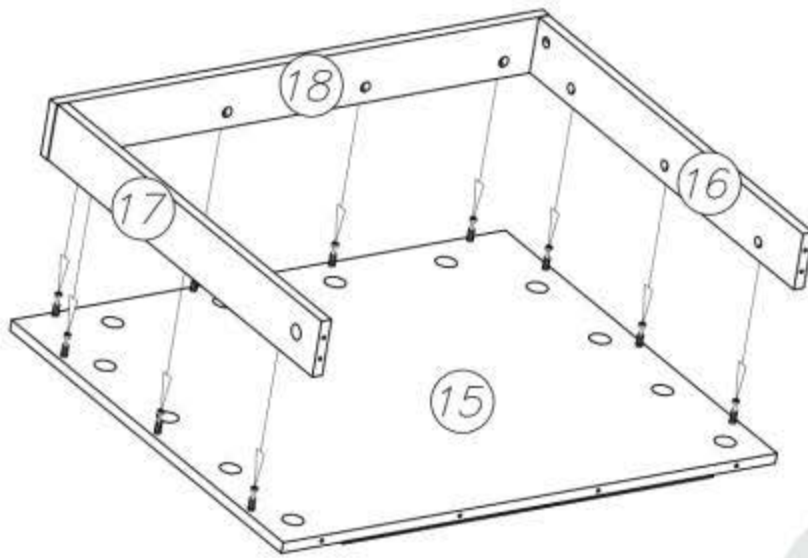
3



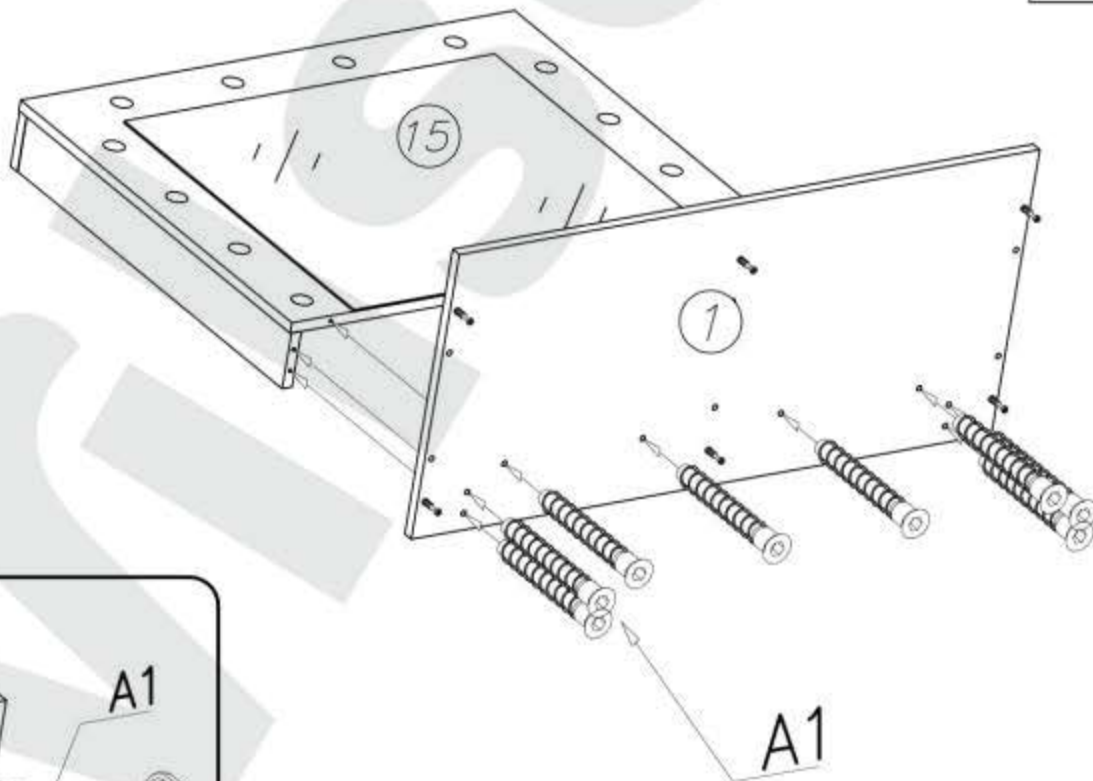
4


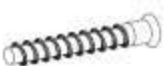


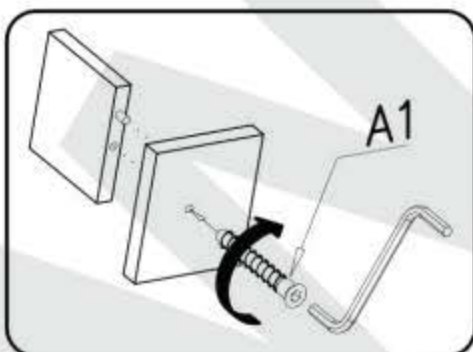
5



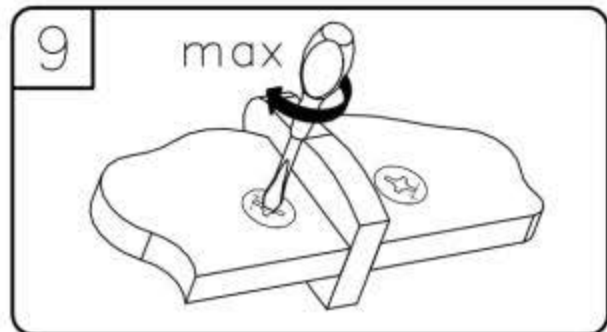
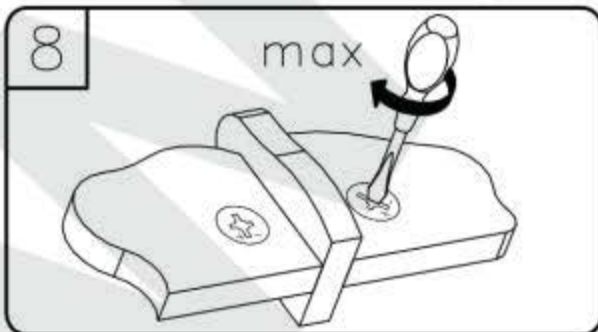
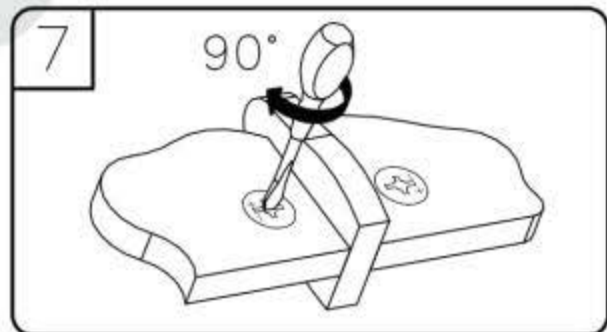
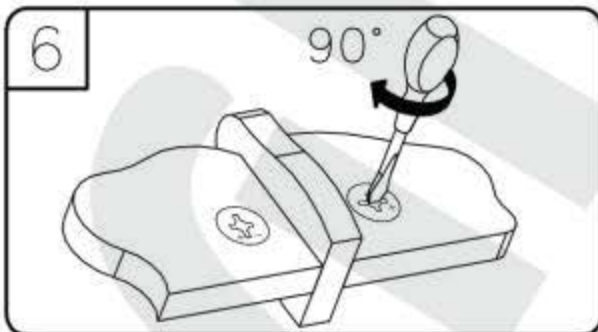
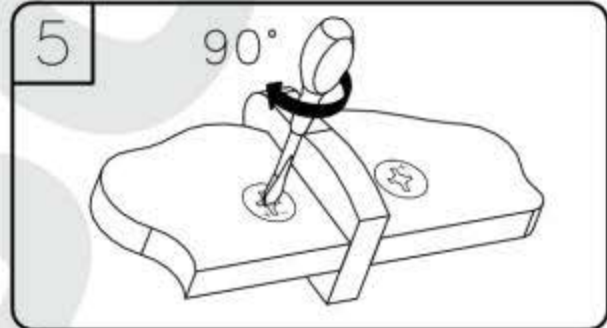
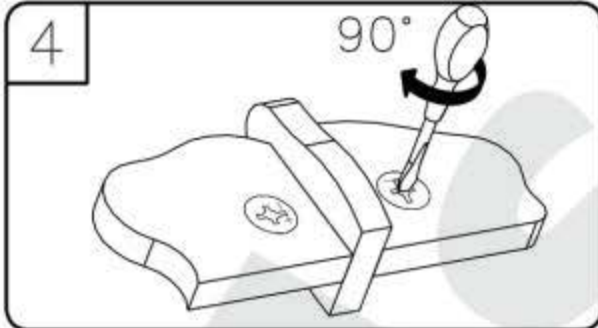
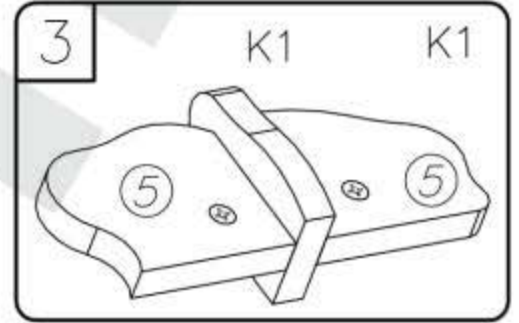
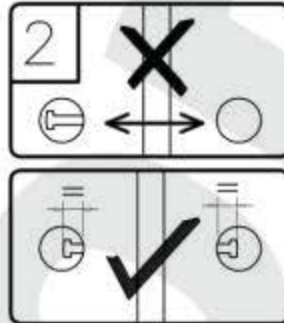
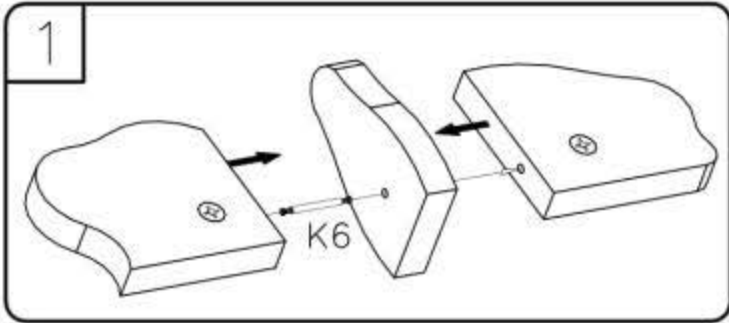
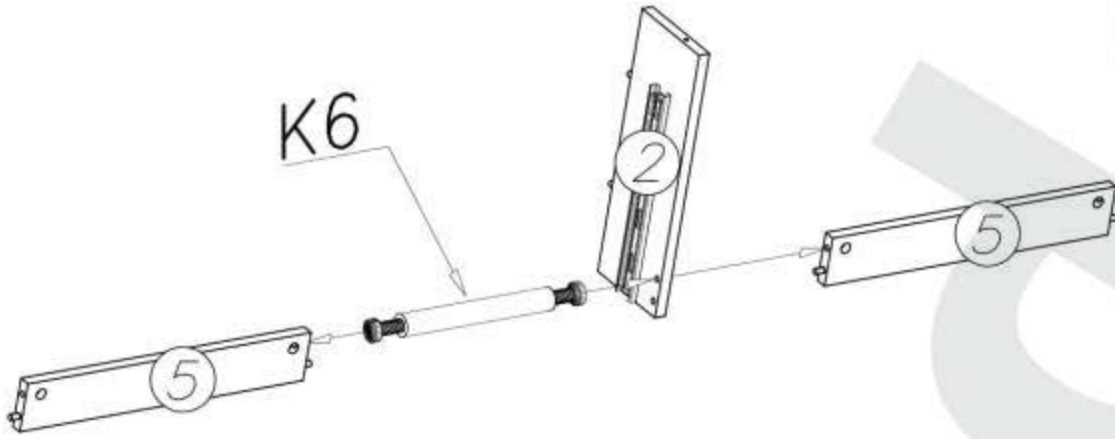
6



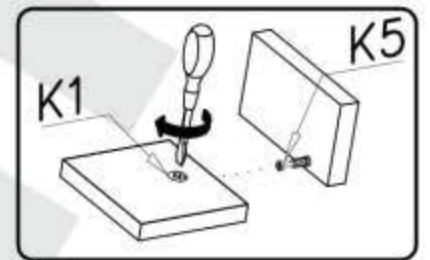
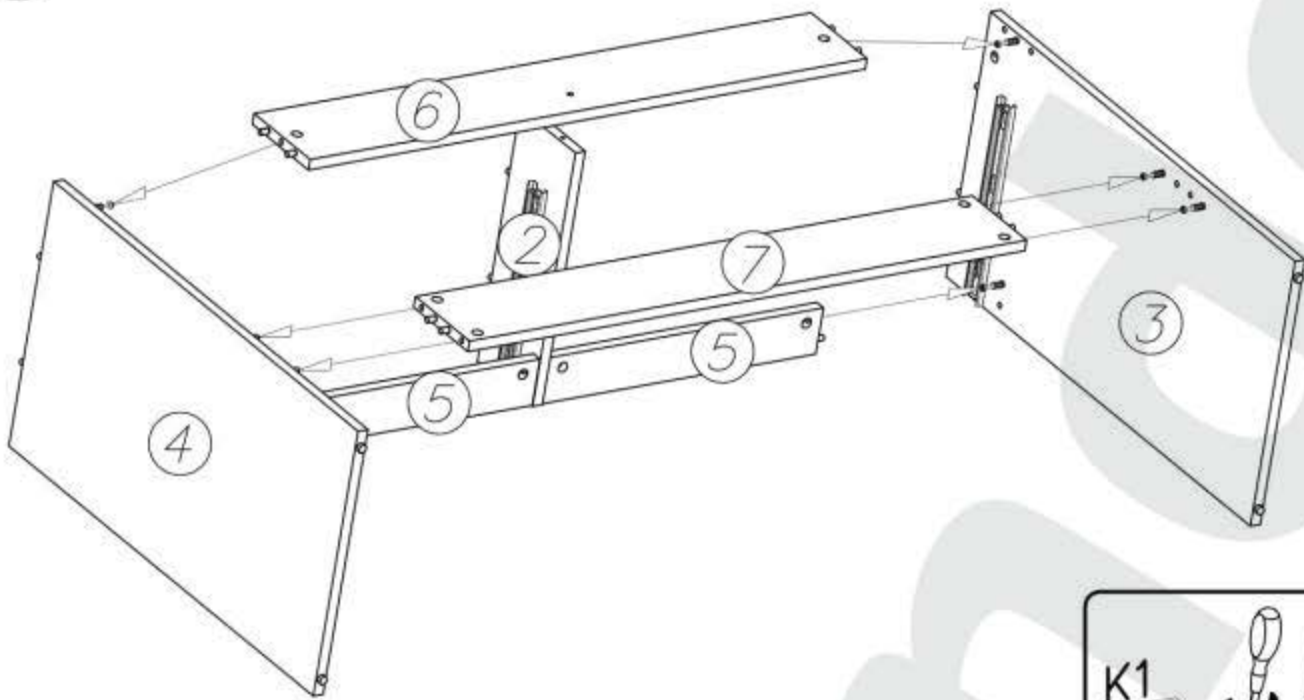
W2		1x
A1		8x
		Ø7x50



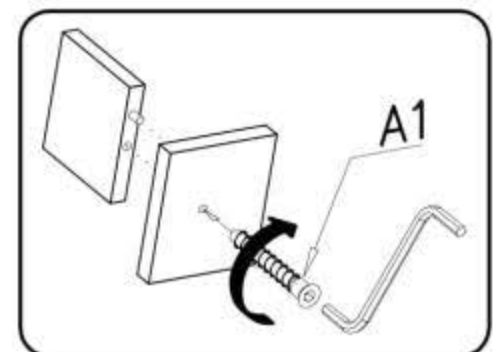
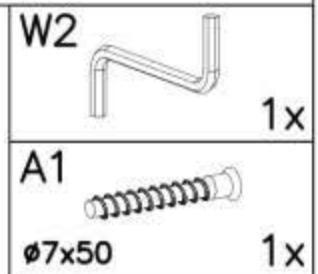
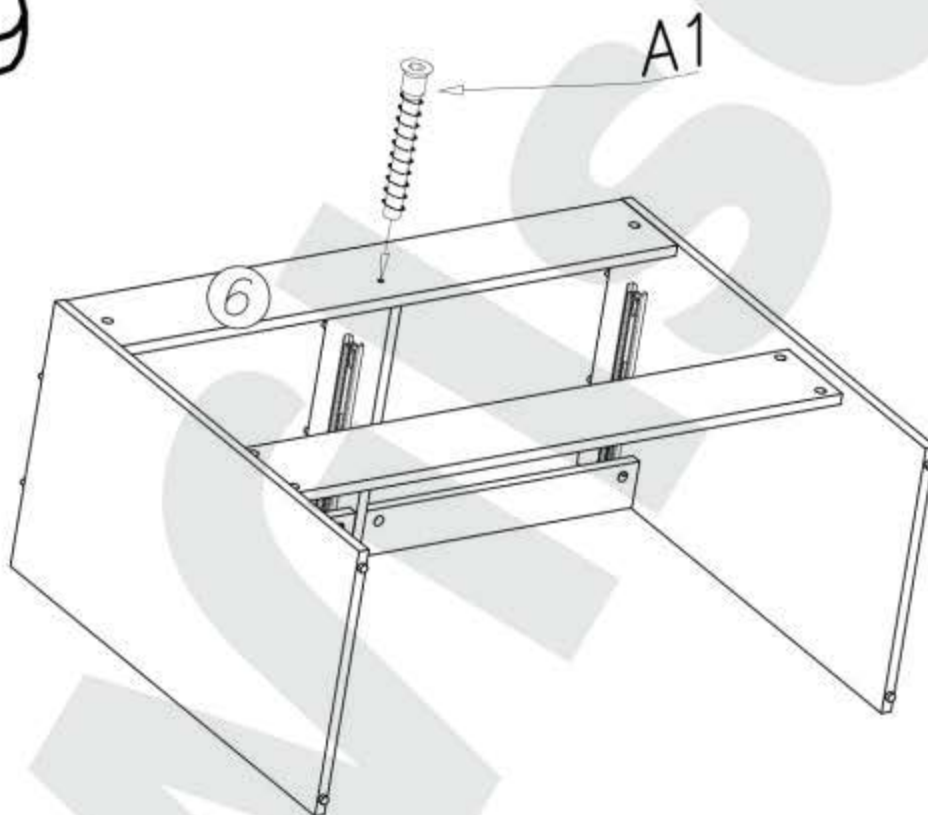
7



8

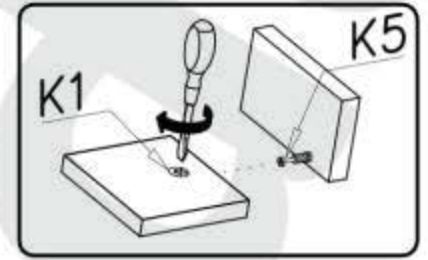


9

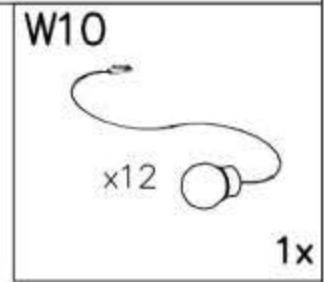
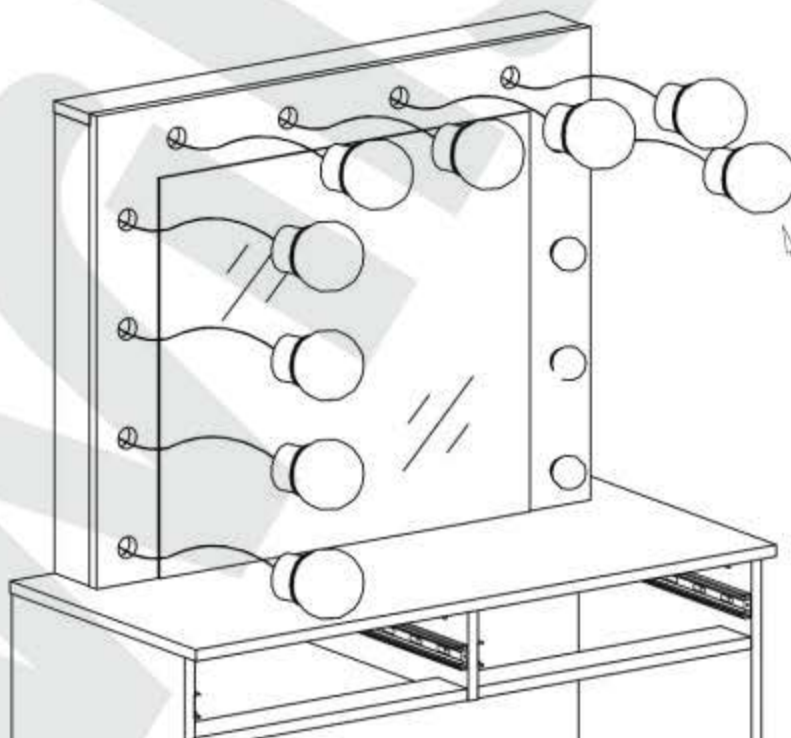




10

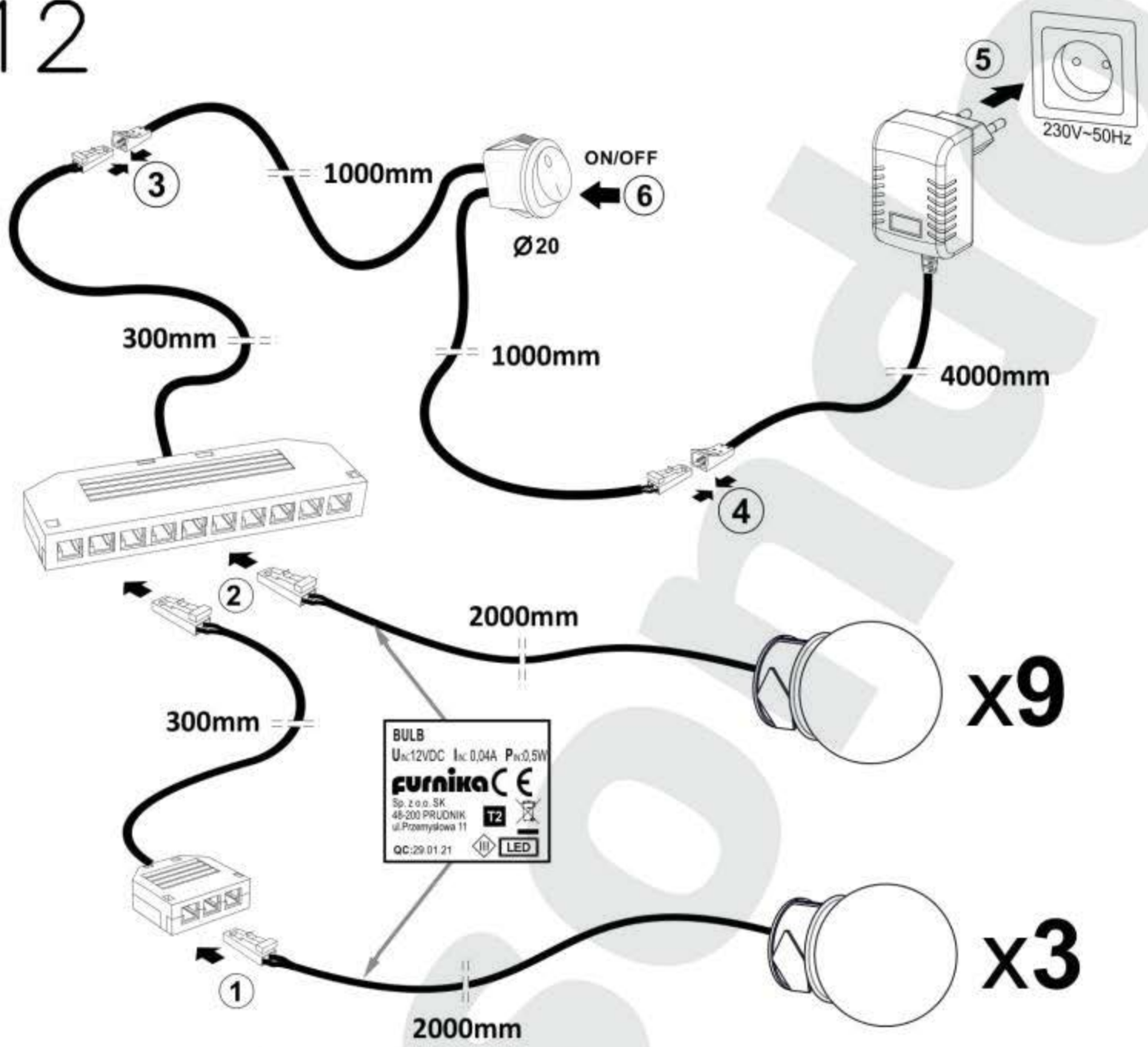


11

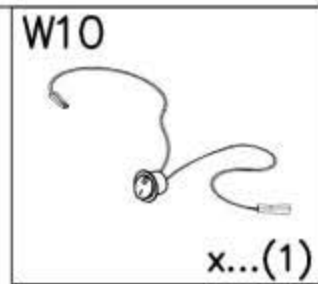
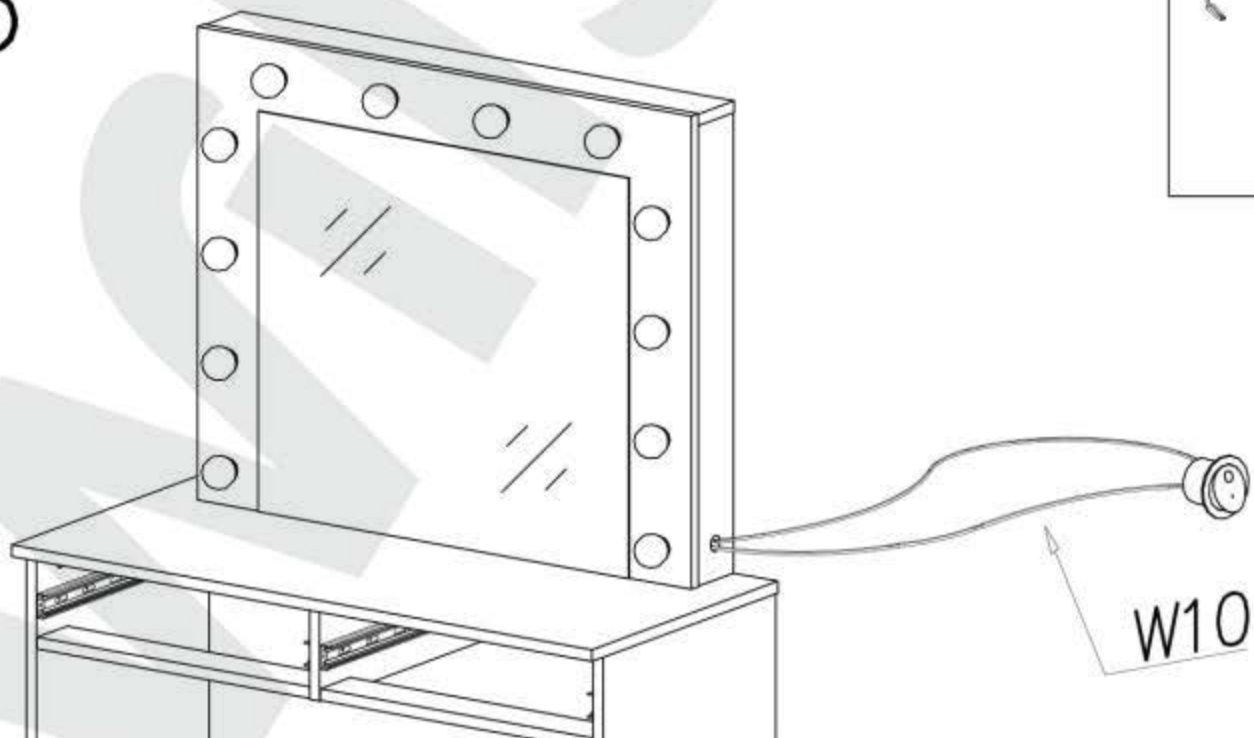




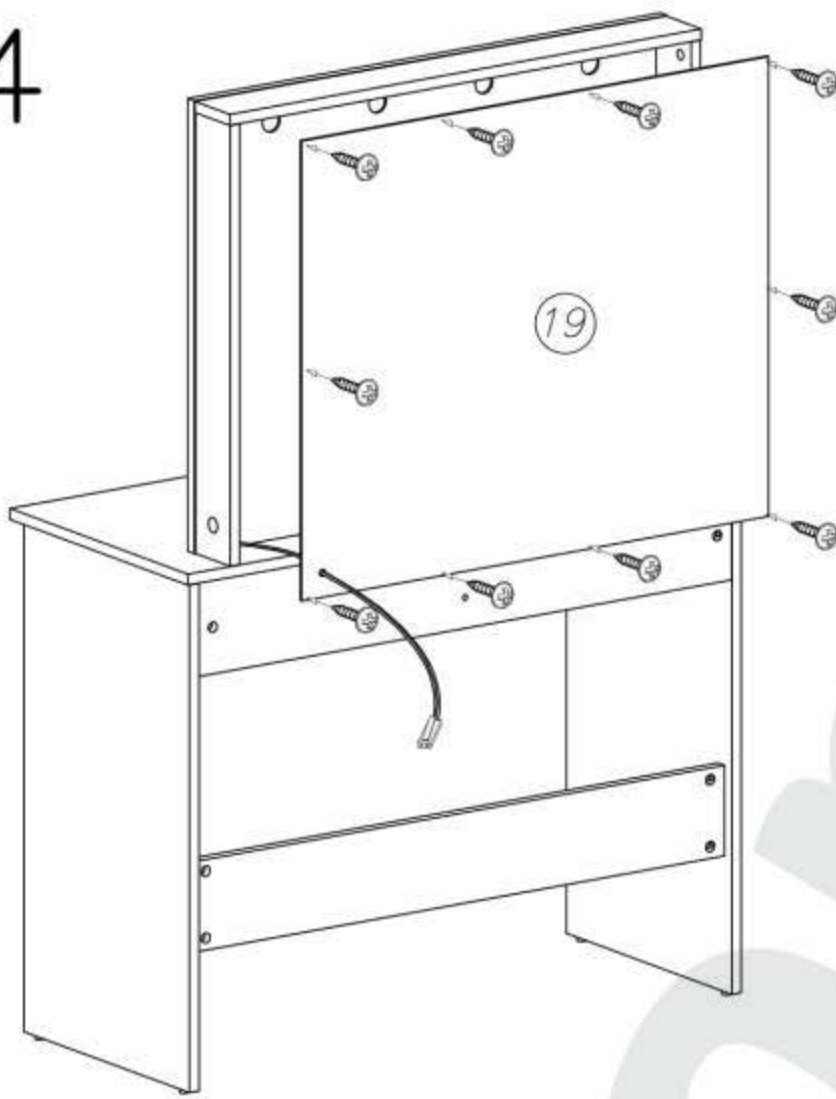
# 12



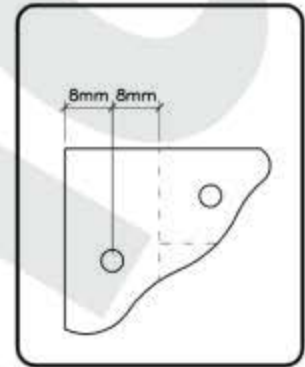
# 13



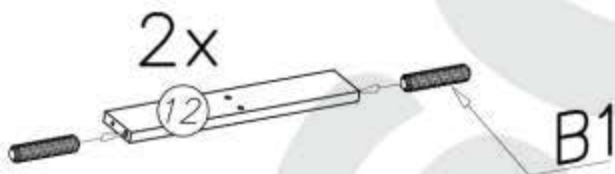
14



G22  
3x16 10x

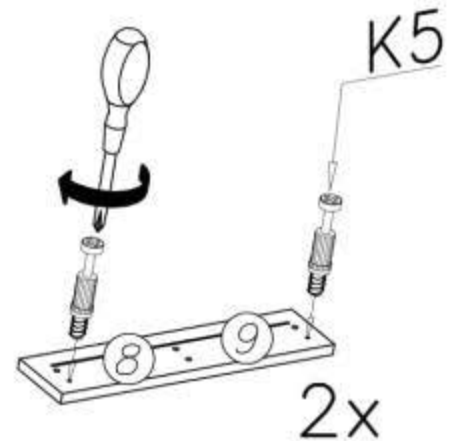
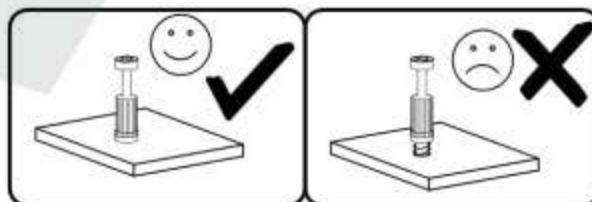
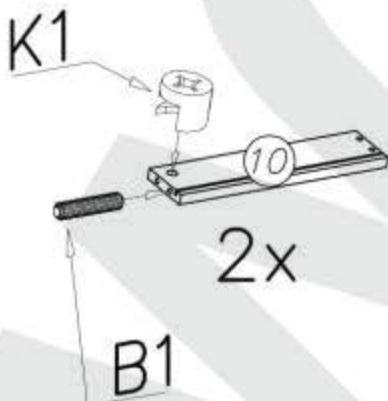
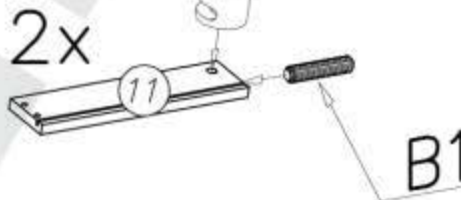
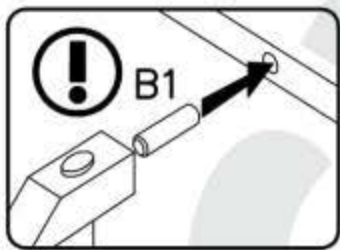
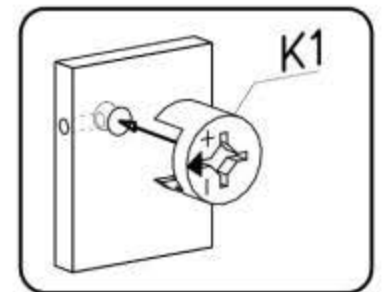


15

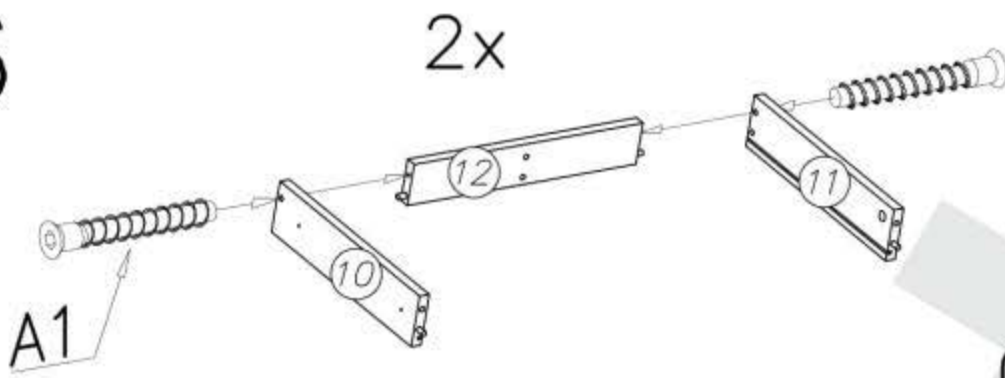


K1  
ø15x12 4x

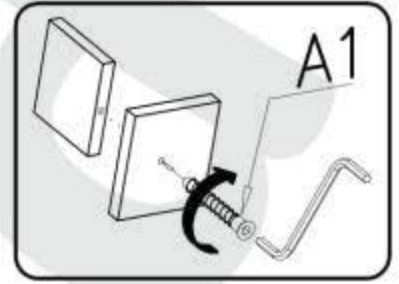
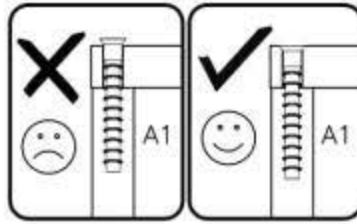
B1  
ø8x30 16x



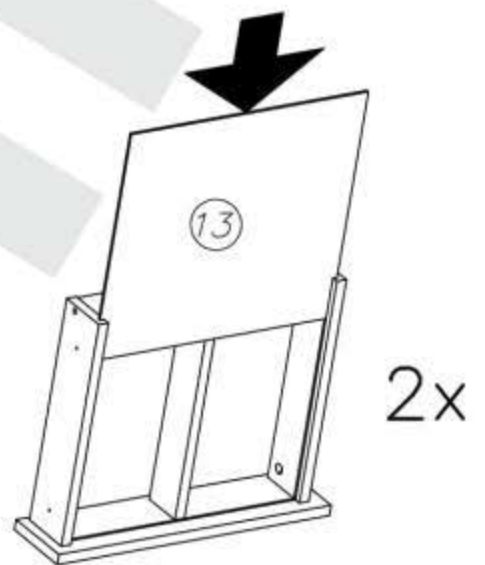
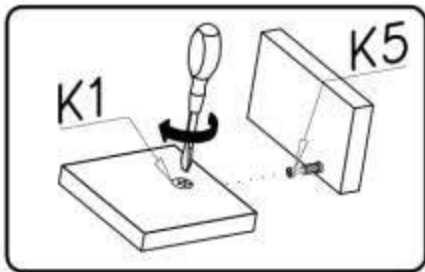
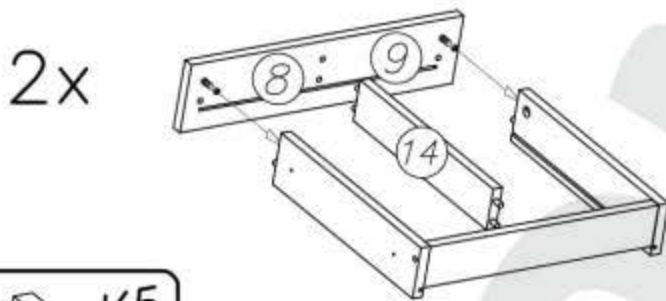
# 16



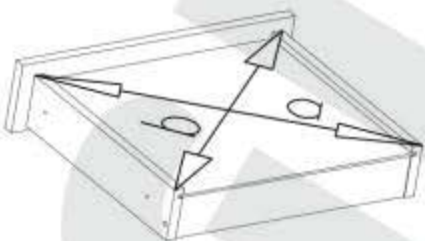
W2		1x
A1		4x
ø7x50		



# 17



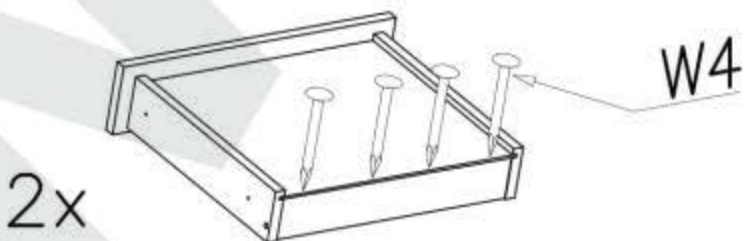
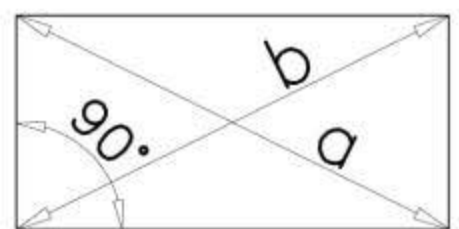
# 18



$a=b$



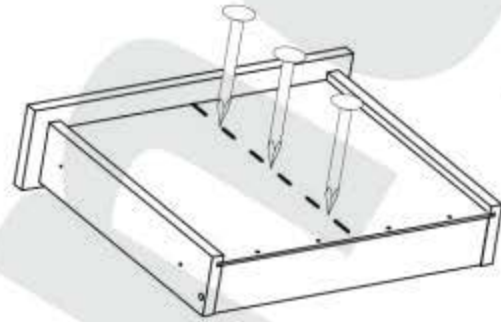
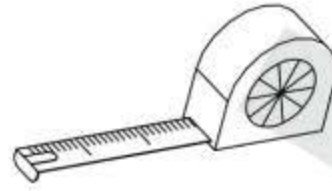
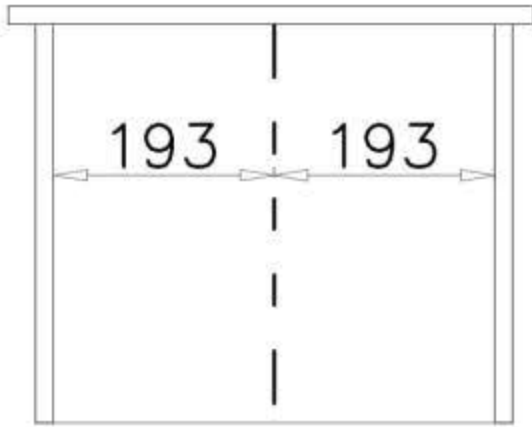
W4		8x
ø1,4x20		





# 19

W4  
ø1,4x20 6x

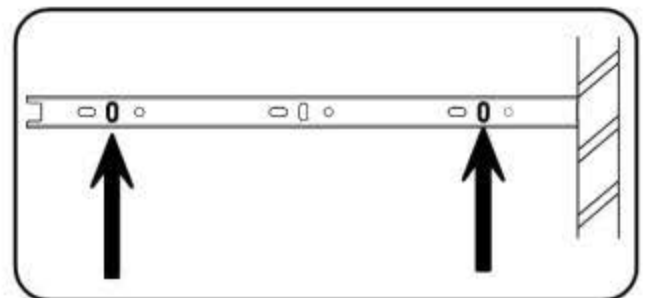
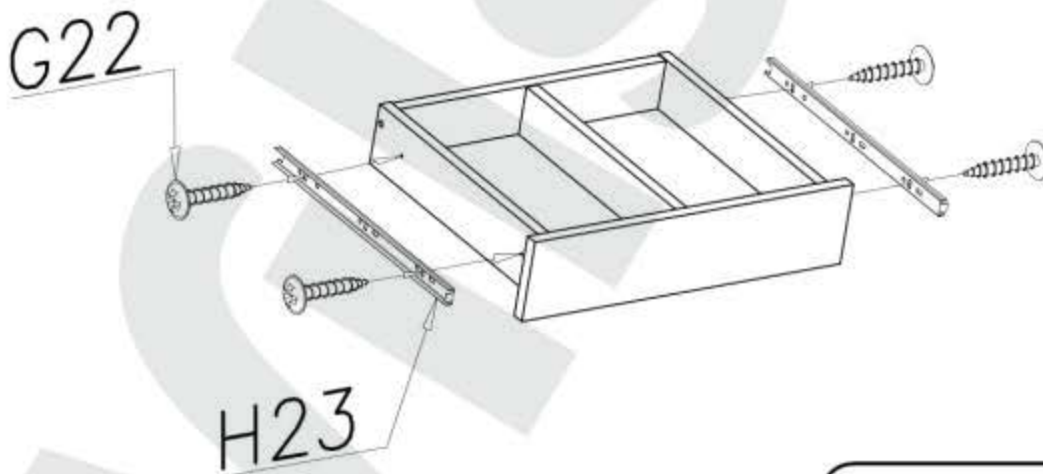


2x

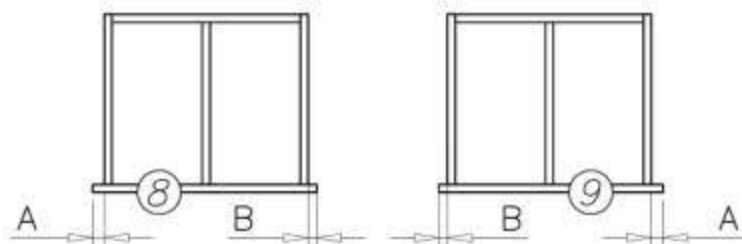
# 20

G22  
3x16 8x

H23  
H30-350mm 2x



# 21



17  
Ø18 14x

