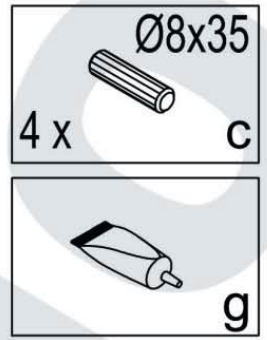
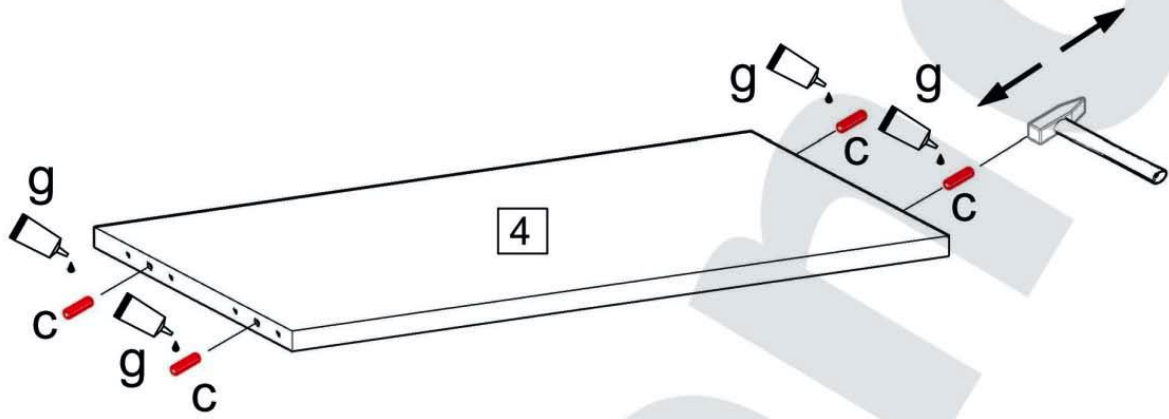


A 

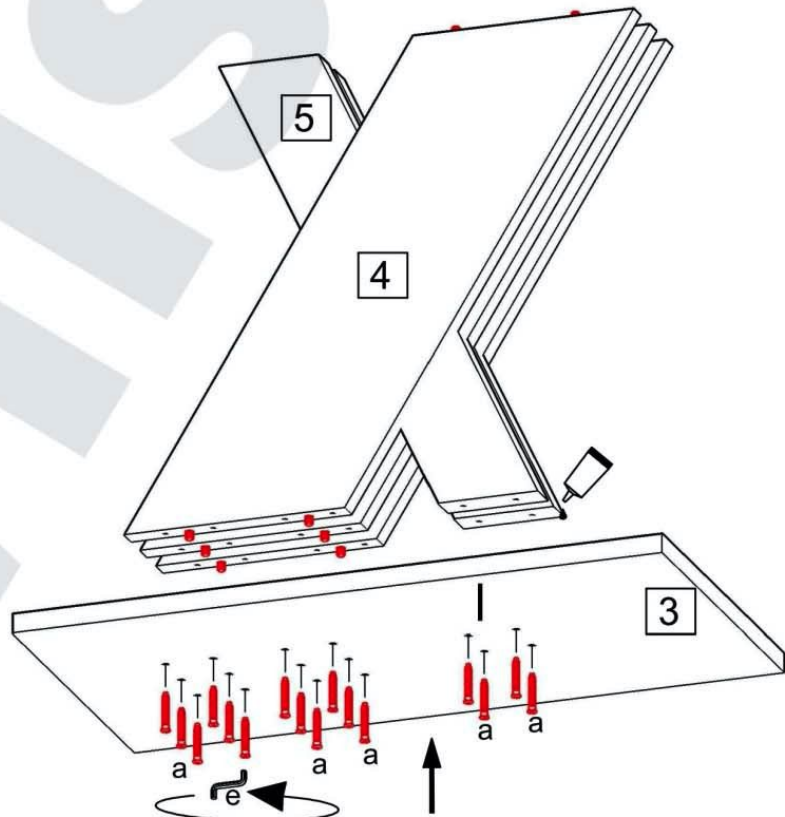
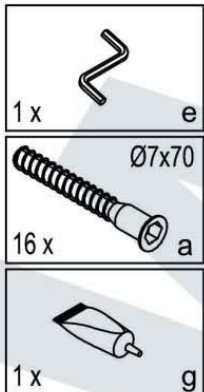
ELEX



3 x

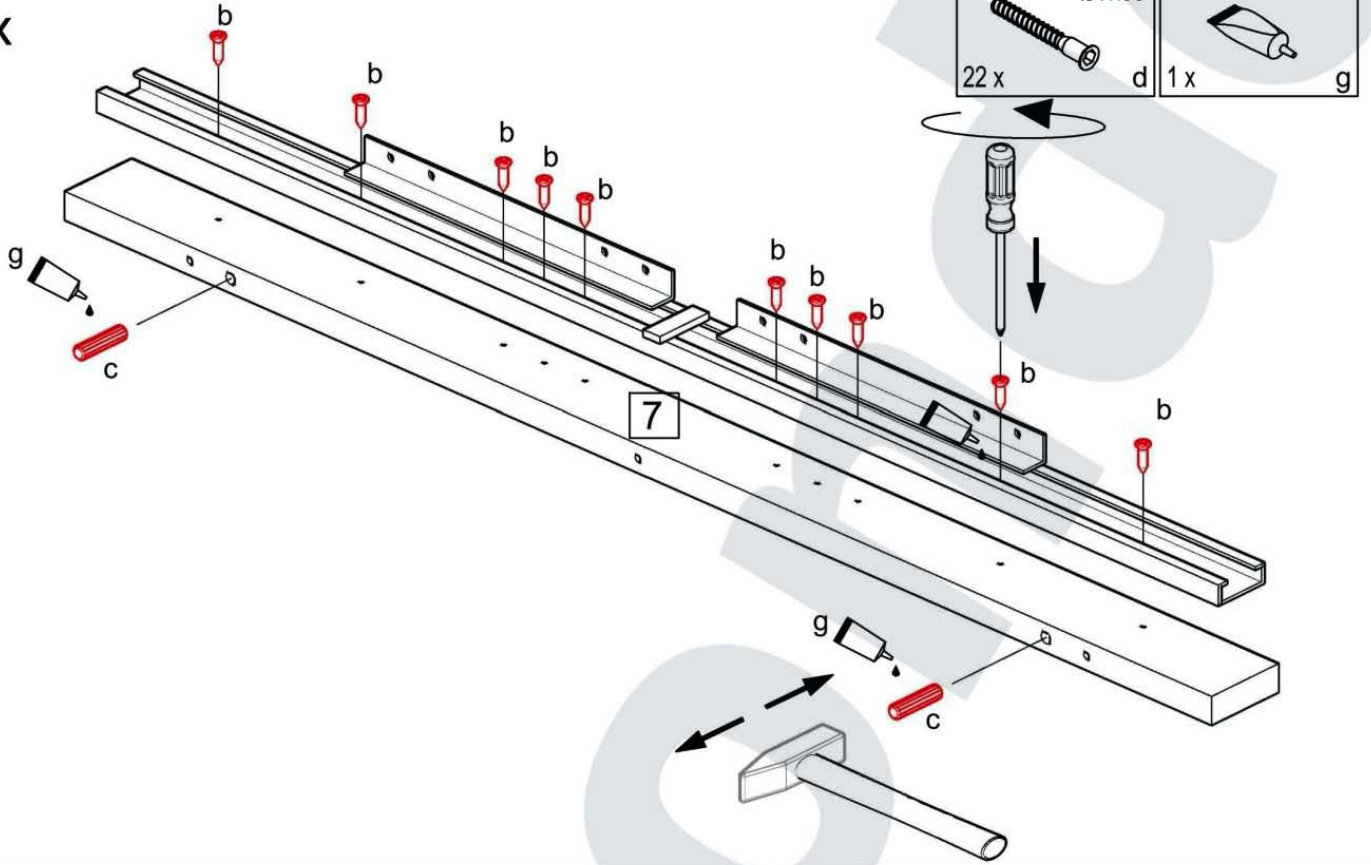


B 

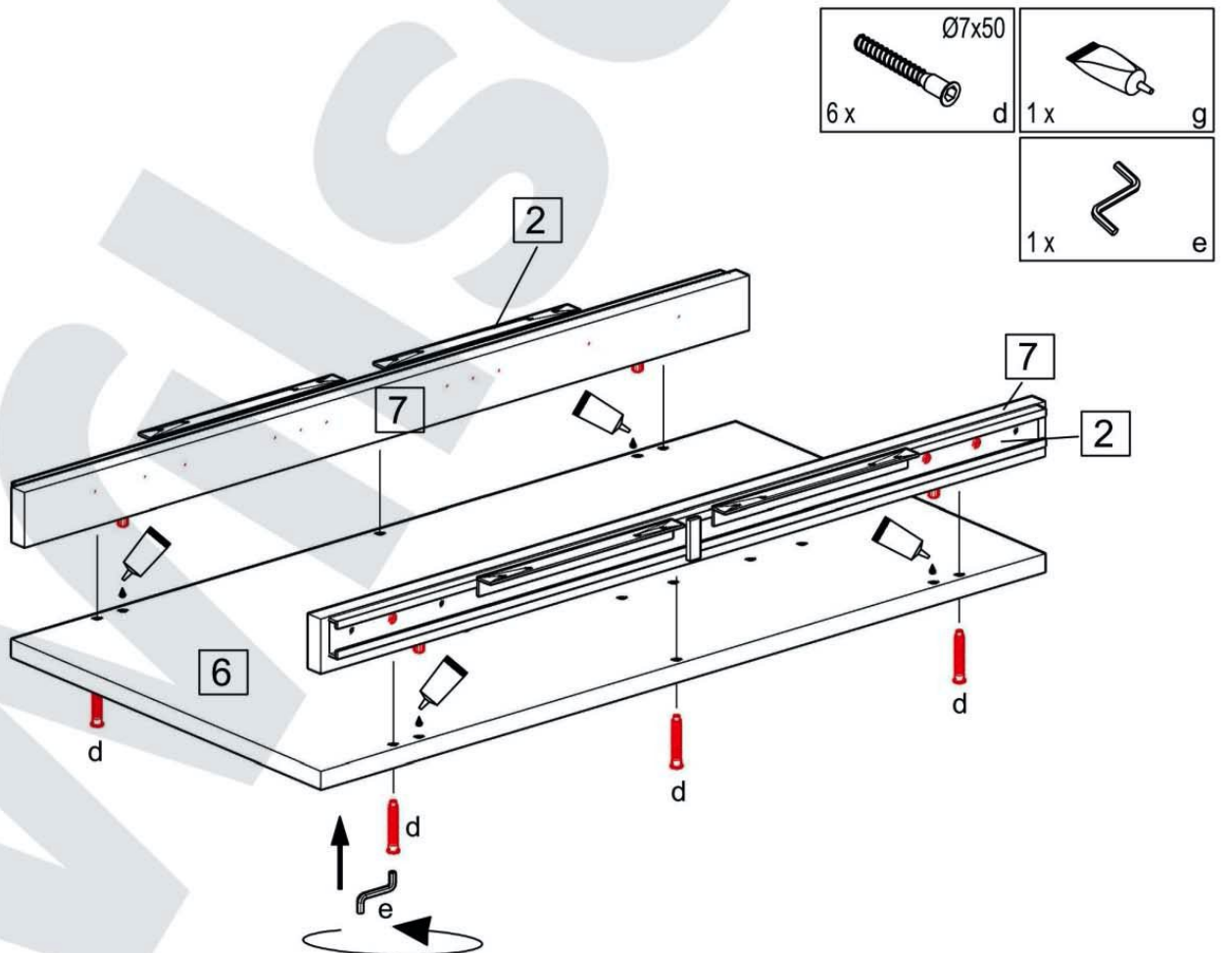


C 

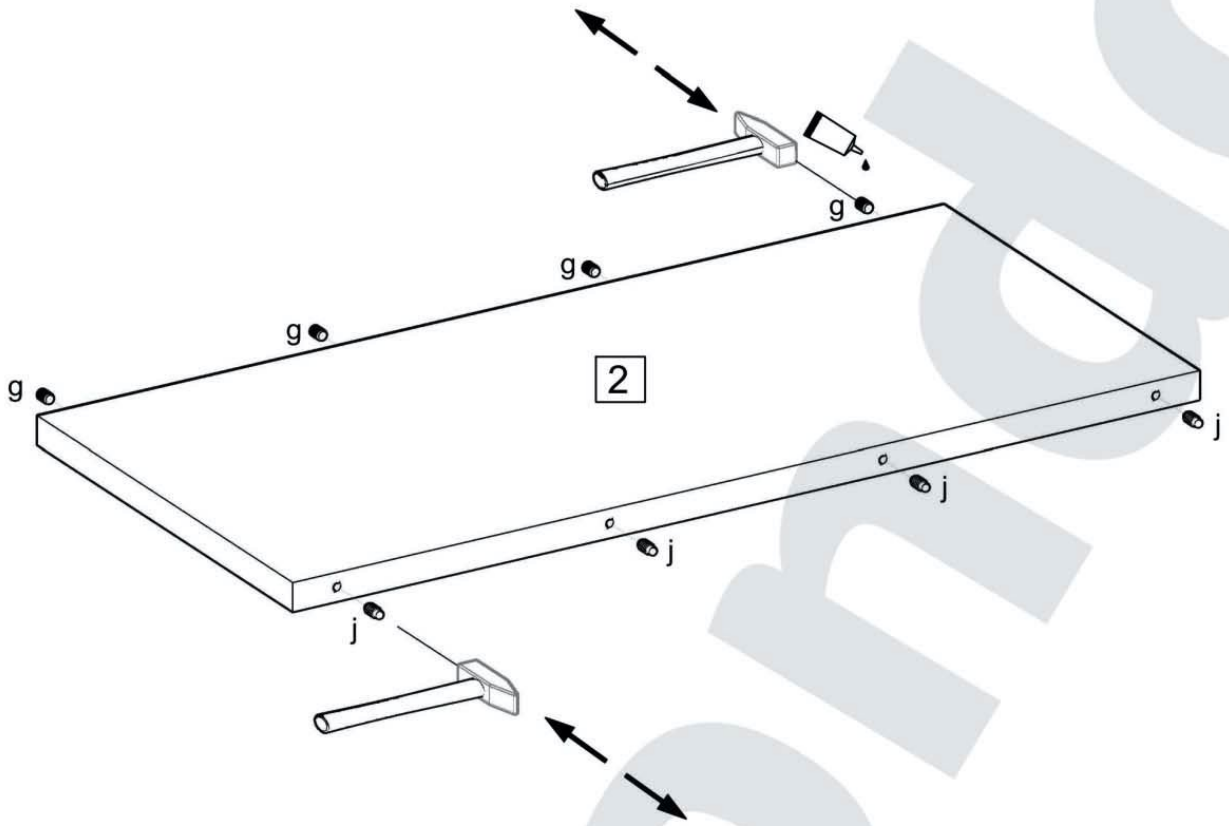
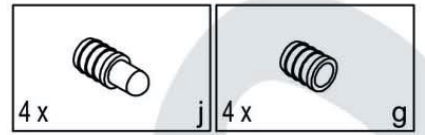
2 x



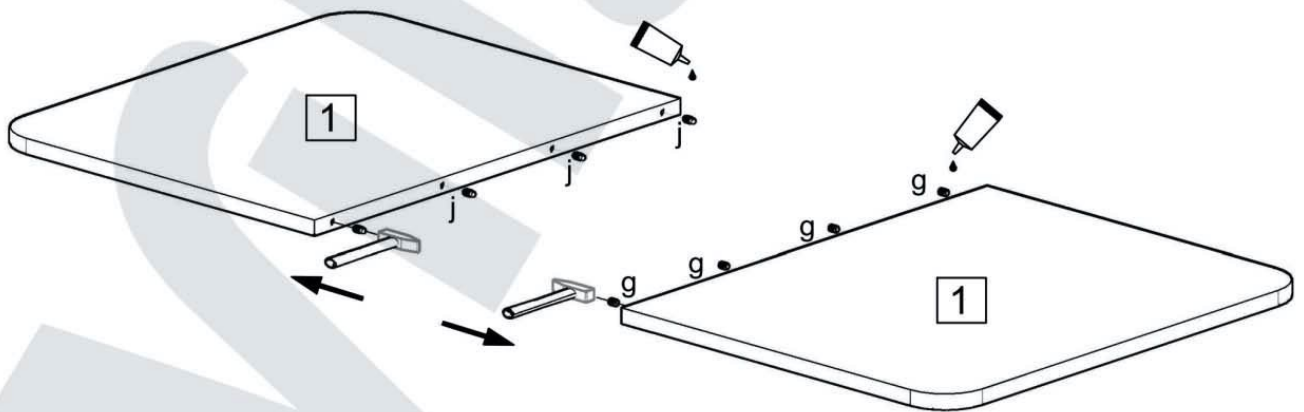
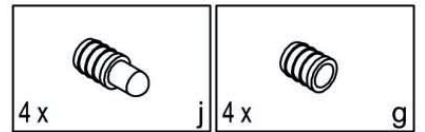
D 



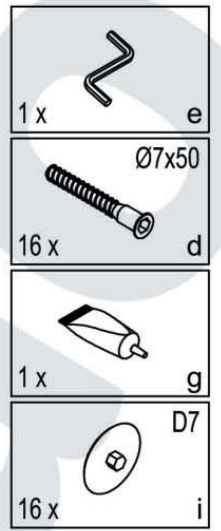
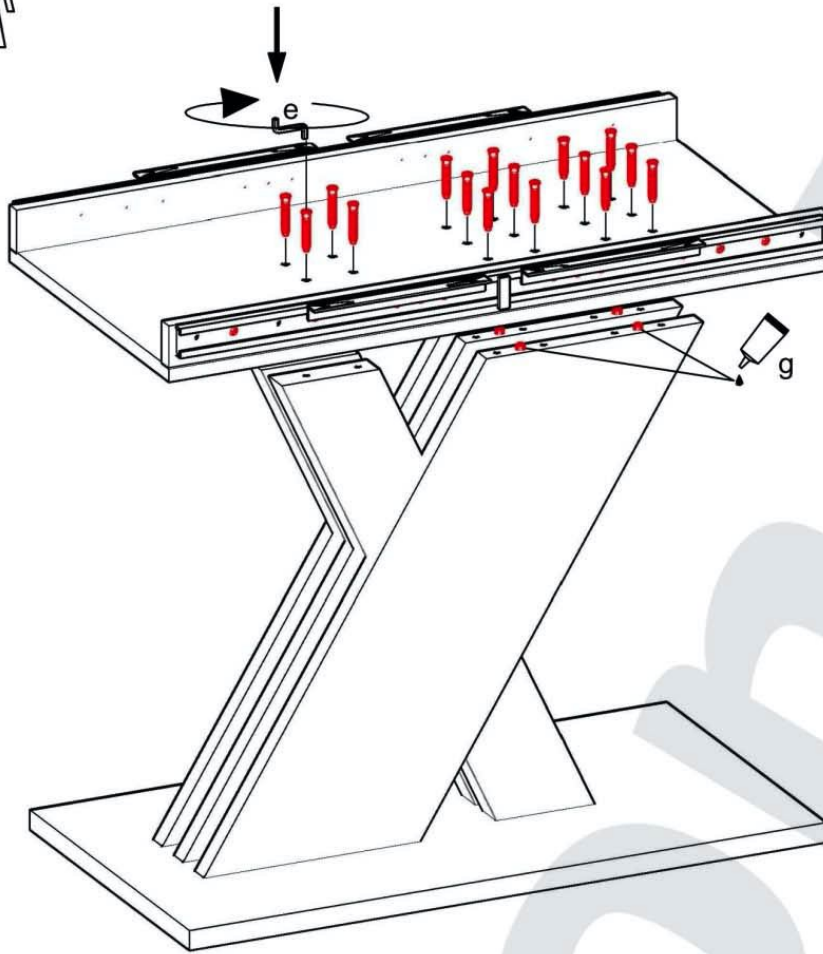
E 



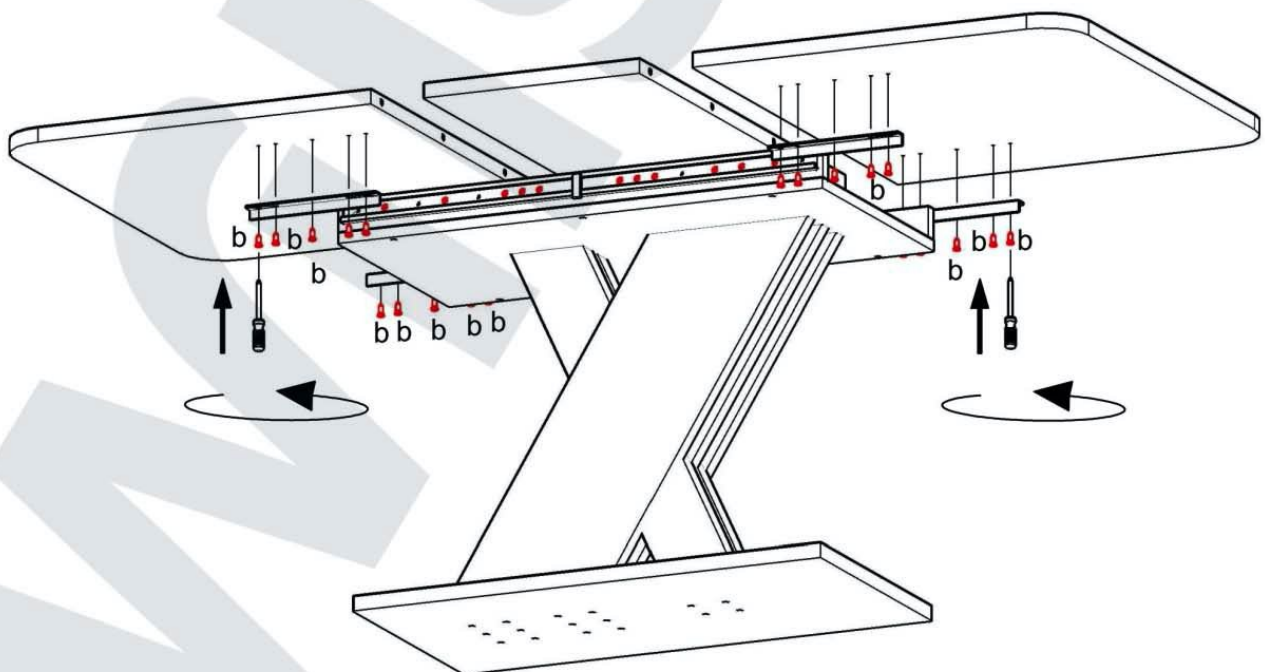
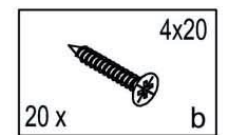
F 



G 



H 



K

