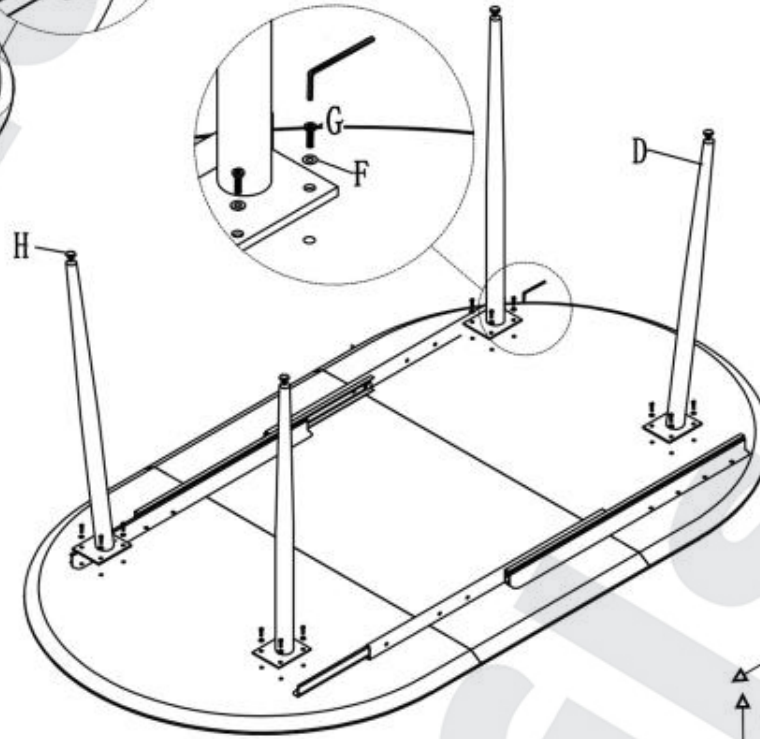
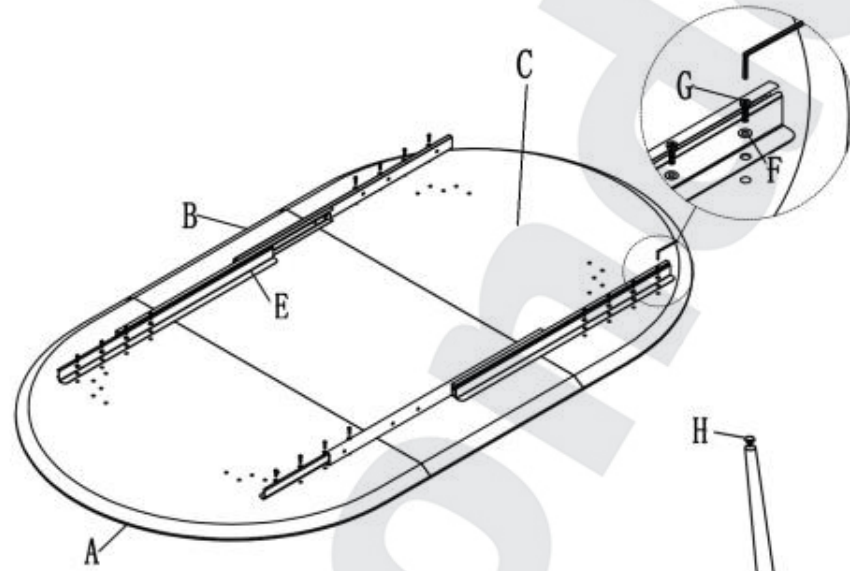


COLORADO



A		1
B		1
C		1
D		4
E		2
F		32
G		32
H		4

