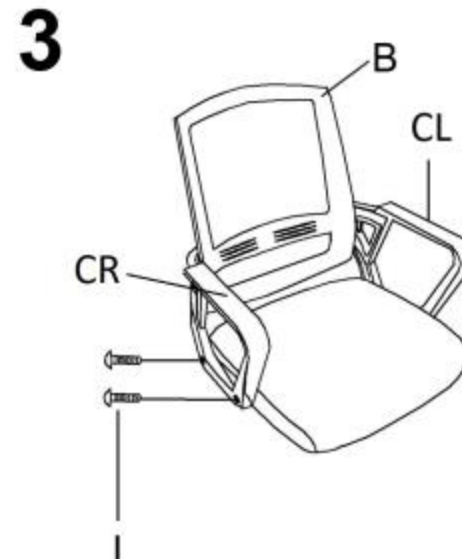
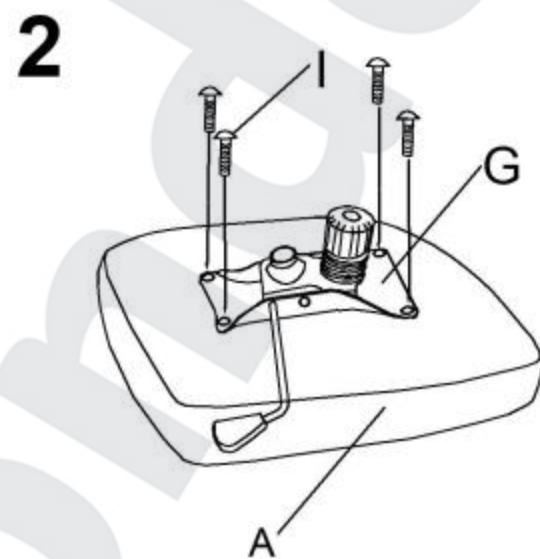
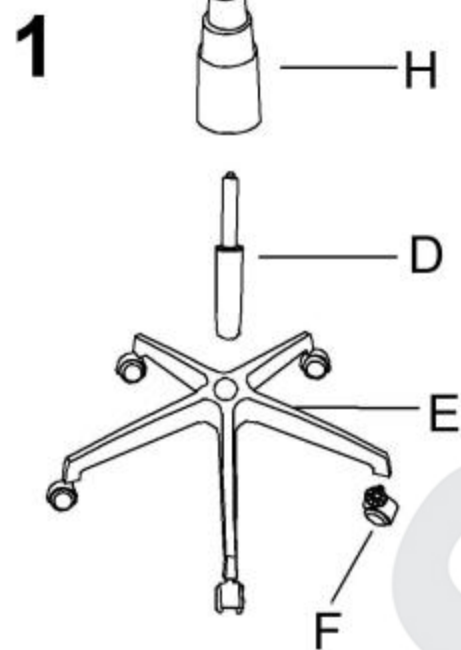


ASCOT



A		1
B		1
CL		1
CR		1
D		1
E		1
F		5
G		1
H		1
I		8
J		4

